

Storm Series®
Arrow®,
Ranger X™,
Torque™

Powered Wheelchairs



Parts Catalog Usage Guide

The information contained in this document is subject to change without notice. This catalog contains service parts for Form No. 94-113. If you have any questions regarding this catalog, please contact one of our Customer Service Representatives.

For Customer Service Support Call:

1-800-333-6900

For Faxed In Orders Call:

1-800-678-4682 or

1-440-366-0709

For Technical Service Call:

1-800-832-4707

Literature Can Be Found at:

www.invacare.com or

1-800-828-6272

SYMBOL DEFINITION

Throughout this catalog you will notice letters to draw your attention to specific footnotes which are located at the bottom of the page or below specified charts.

Examples:

A,B,C etc. = Special Comments

NOTE: = General information pertaining to that specific page

NLA = No Longer Available

HARDWARE MEASUREMENTS

The measurements for the hardware will be listed as follows:

Screws, Bolts Diameter X Thread Count/Pitch X Length

Washers Inside Diameter X Outside Diameter X Thickness

Spacers Inside Diameter X Outside Diameter X Length

For your convenience, we have supplied an area for you to list your Invacare Representatives.

Name	Phone Numbers

©2008 Invacare Corporation. Elyria, Ohio. Invacare, Yes, you can., Storm Series, Arrow, and the Blue Medallion Design are registered trademarks and Junior, Ranger X, Torque, and MKIV are trademarks of Invacare Corporation. Otto Bock is a registered trademark of Otto Bock Orthopaedische Industrie GMBH & Co.. Tash is a registered trademark of Tash International Inc.. Therafin is a registered trademark of W/R/ Medical Electronics Co.. Bussman is a registered trademark of Cooper Industries. MIDI is a registered trademark of Littelfuse Inc.. Dynamic is a registered trademark of Dynamic Controls Limited.

TABLE of CONTENTS

Description	Page Number
Accessories, Miscellaneous	234
Accessories, Power Wheelchair Tool Kit	232
Anti-Tip Wheel Assembly - Gearless/ Brushless	138
Anti-Tip Wheel Assembly - Non-Vent Tray Option Only	140
Anti-Tip Wheel Extension Assembly - Vent Tray Option Only For 2G After 6/30/98	141
Arms, Adjustable Height - Junior (After 4/14/97)	76
Arms, Adjustable Height - Junior (Before 4/15/97)	74
Arms, Adjustable Height (After 4/14/97)	86
Arms, Adjustable Height (Before 4/15/97)	84
Arms, Fixed Height (After 4/14/97)	81
Arms, Fixed Height (Before 4/15/97)	78
Back Cane and Attaching Hardware	52
Back, Recliner Assembly	57
Battery Box - For Group 22NF Batteries	195
Battery Box Support Frame - For Group 24 Batteries	183
Battery Box Tray - For Group 22 Batteries	185
Battery Box, Front - For Group 24 Batteries	190
Battery Box, Rear - For Group 24 Batteries	192
Battery Chargers and Harnesses	187
Caster and Forks, 10"	167
Caster and Forks, 6"	161

TABLE of CONTENTS

Description	Page Number
Caster and Forks, 8"	163
Caster and Forks, 9"	165
Electronics - MKIV Controller, Programmer and Hardware	213
Electronics - MKIV Displays	219
Electronics - MKIV Joystick Mounting Hardware and Joystick Accessories	202
Electronics - MKIV Joystick Options	227
Electronics - MKIV Joysticks RII, RX, A, A+, TCHJOY	197
Electronics - MKIV Joysticks PS, PFS and PSR	200
Electronics - MKIV Mid-Line Swing Bracket Assembly	206
Electronics - MKIV R.I.M. Head Control Mounting Hardware (1500M4) (After 8/15/95)	223
Electronics - MKIV R.I.M. Head Control Assembly (1500) (Before 8/16/95)	221
Electronics - MKIV R.I.M. Head Control Assembly (1500M4) (After 8/15/95)	225
Electronics - MKIV Recliner Control and Recliner Cable	218
Electronics - MKIV Sip-n-Puff/Digital Interface, COM12, COM34 and Attaching Hardware	216
Electronics - MKIV Swivel Joystick Hardware	204
Electronics - Quad Link (QLA) After 4/06/06	211
Electronics - Quad Link Assembly Before 4/07/06	208
Electronics - Tash and Therafin Accessories	230
Frame Finishes, Touch-Up Paints and Upholstery Options	8
Frame, Base	122
Frame, Recliner Seat (17-1/2" S-T-F LOW) After 6/30/98	38

TABLE of CONTENTS

Description	Page Number
Frame, Recliner Seat (17-1/2" S-T-F Standard LOW) or (19" S-T-F Heavy Duty MEDIUM) Before 4/15/97	36
Frame, Recliner Seat (17-1/2" S-T-F Standard LOW) or (19" S-T-F Heavy Duty MEDIUM) Between 4/14/97 - 7/1/98	37
Frame, Recliner Seat (19-3/4" S-T-F MEDIUM) After 6/30/98	42
Frame, Recliner Seat (19-3/4" S-T-F Standard MEDIUM) or (21" S-T-F Heavy Duty TALL) Before 4/15/97	40
Frame, Recliner Seat (19-3/4" S-T-F Standard MEDIUM) or (21" S-T-F Heavy Duty TALL) Between 4/14/97 - 7/1/98	41
Frame, Recliner Seat (21-1/2" S-T-F Standard TALL) Between 4/14/97 - 7/1/98	44
Frame, Recliner Seat (21-1/2" S-T-F TALL) After 6/30/98	45
Frame, Recliner Seat (21-1/2" S-T-F TALL) Before 4/15/97	43
Frame, Seat (17-1/2" S-T-F LOW) After 6/30/98	24
Frame, Seat (17-1/2" S-T-F Standard LOW) or (19" S-T-F Heavy Duty MEDIUM) Before 4/15/97	19
Frame, Seat (17-1/2" S-T-F Standard LOW) or (19" S-T-F Heavy Duty MEDIUM) Between 4/14/97 - 7/1/98	22
Frame, Seat (19-3/4" S-T-F MEDIUM) After 6/30/98	31
Frame, Seat (19-3/4" S-T-F MEDIUM) or (21" S-T-F Heavy Duty TALL) Between 4/14/97 - 7/1/98	28
Frame, Seat (19-3/4" S-T-F Standard MEDIUM) or (21" S-T-F Heavy Duty TALL) Before 4/15/97	26
Frame, Seat (21-1/2" S-T-F TALL) Between 4/14/97 - 7/1/98	34
Frame, Seat (21-1/2" S-T-F TALL) After 6/30/98	35
Frame, Seat (21-1/2" S-T-F TALL) Before 4/15/97	33
Frame, Seat Attaching Hardware - Fixed and Adjustable Seat Frames	16
Frame, Seat Hardware - Fixed and Adjustable Seat Frames	14
Front Rigging - Adjustable Angle Footplates, AT5543 After 2/28/95 (60, 60 MFX, 70, 70 MFX & 90 Deg. Supports)	110
Front Rigging - Adjustable Angle Footplates, AT5543 Before 3/1/95 (60, 60 MFX, 70 Deg. Supports)	106

TABLE of CONTENTS

Description	Page Number
Front Rigging - Adjustable Angle Footplates, AT5543 Before 3/1/95 (70 MFX and 90 Deg. Supports)	108
Front Rigging - Deluxe Aluminum Footplate, 1450	113
Front Rigging - Extra Large Footplate, 1350	114
Front Rigging - Flip-Up Footplates, AT5043 (70 MFX and 90 Deg.)	104
Front Rigging - Footrest and Legrest Accessories	119
Front Rigging - Footrest Support Assemblies	94
Front Rigging - Front Rigging Hanger Assembly - Sector Style	93
Front Rigging - Legrest Support Assembly AT5544	97
Front Rigging - One Piece Wooden Footboard and Hardware - S1263	116
Front Rigging - Pivot/ Slide Tube and Composite Footplates Assemblies	100
Front Rigging - Reference Chart - 70 MFX and 90 SWING	91
Front Rigging - Reference Chart - 70 ST TAPER	92
Front Rigging - Reference Chart - AT5544, 60 HD, 70 NHD, 60 MFX	89
Heavy Duty Conversion Kit	143
Motor and Gearbox Assembly Reference Chart	144
Motor, 2-Pole and Gearboxes After 6/30/98 2G Storm Arrow	153
Motor, 2-Pole and Gearboxes After 6/30/98 2G Storm RX & HSM Options	155
Motor, 2-Pole and Gearboxes Before 7/1/98 1st Gen.	146
Motor, 4-Pole and Gearboxes After 8/31/98	157
Motor, Gearless/Brushless and Hardware	159
Packaging, Literature and Decals	11

TABLE of CONTENTS

Description	Page Number
Seat Pan and Attaching Hardware (After 4/14/97)	49
Seat Pan and Attaching Hardware (Before 4/15/97)	46
Shock Absorbers	124
Shock Suspension Mounting Hardware - After 6/30/98	128
Shock Suspension Mounting Hardware - Before 7/1/98	126
Shock Suspension Mounting Hardware - Gearless/ Brushless	125
Suspension Arm and Anti-Tip Wheel - Ranger X Before 7/1/98	132
Suspension Arm and Anti-Tip Wheel - Storm Arrow and Torque Before 7/1/98	130
Suspension Arm and Mounting Hardware - Gearless/ Brushless	136
Suspension Arm and Mounting Hardware, 2G After 6/30/98 Non-GB	134
Upholstery, Back - Nylon (Non-Recliner)	61
Upholstery, Back - Nylon (Recliner)	64
Upholstery, Back - Vinyl (Non Recliner)	67
Upholstery, Back - Vinyl (Recliner)	70
Upholstery, Headrest and Pillows	72
Wheel Lock - Gearless/ Brushless	181
Wheel Lock (After 6/30/95)	179
Wheel Lock (Before 7/1/95)	178
Wheels, Free Wheel Hub Mounts (After 8/18/98)	175
Wheels, Free Wheel Hub Upgrade Kits (After 8/18/98)	177
Wheels, Hub Mounts - All Non-Free Wheel Hubs and (Free Wheel Hubs Before 8/19/98)	173

TABLE of CONTENTS

Description	Page Number
Wheels, Rear and Attaching Hardware - All Non-Free Wheel Hubs and (Free Wheel Hubs Before 8/19/98)	169
Wheels, Rear and Attaching Hardware - Free Wheel Hub Mounts After 8/18/98	171

Frame Finishes, Touch-Up Paints and Upholstery Options

Frame Finishes

Color Number	Touch-Up Paint Part Number	Bottle Size	Description
02P	1031452	.6 oz.	Pink Pearl
06P	1031454	.6 oz.	Super Teal
08P	1031456	.6 oz.	Deep Purple
15P	N/A	.6 oz.	Chrome
17P	1046319	.6 oz.	Cobalt Blue
22P	1033376	.6 oz.	Anthracite
24P	1031450	.6 oz.	Wet Black
29P	1031447	.6 oz.	White
30P	1031448	.6 oz.	Sunny Yellow
31P	1031453	.6 oz.	Lollipop Pink
33P	1031455	.6 oz.	Red
34P	1046327	.6 oz.	Flat Black
61P	1046321	.6 oz.	Electric Red See Note(s) A
62P	1046320	.6 oz.	Electric Blue See Note(s) A
64P	1046324	.6 oz.	Metallic Blue See Note(s) A
65P	1046323	.6 oz.	Metallic Green See Note(s) A
69P	1101320-NLA	.6 oz.	Teflon Black
71P	N/A	.6 oz.	Silver Vein See Note(s) A
80P	1073892	.6 oz.	Evergreen w/Navy
81P	1073893	.6 oz.	Dark Olive w/Copper
82P	1073894	.6 oz.	Fruit Punch w/Fuchsia
83P	1073895	.6 oz.	Royal Blue
84P	1073896	.6 oz.	Lavender
101P	1101325	.6 oz.	Jeweled Green
102P	1101327	.6 oz.	Denim Blue
103P	1101324	.6 oz.	Mocha Frost
104P	1101316	.6 oz.	Electric Teal
105P	1101326	.6 oz.	Midnight Blue

NOTE: A - Veiling is not available on these colors.

Frame Finishes, Touch-Up Paints and Upholstery Options

Frame Veil Options

Color Number	Description
13V	Dark Purple Veil
67V	Gold Veil
19V	Green Veil
15V	Grey Veil

Sparkle Frame Finishes

Color Number	Description
72P	Twilight Sparkle
73P	Gold Sparkle
74P	Green Sparkle
75P	Blue Sparkle
76P	Red Sparkle
88P	Wet Black w/Twilight Sparkle

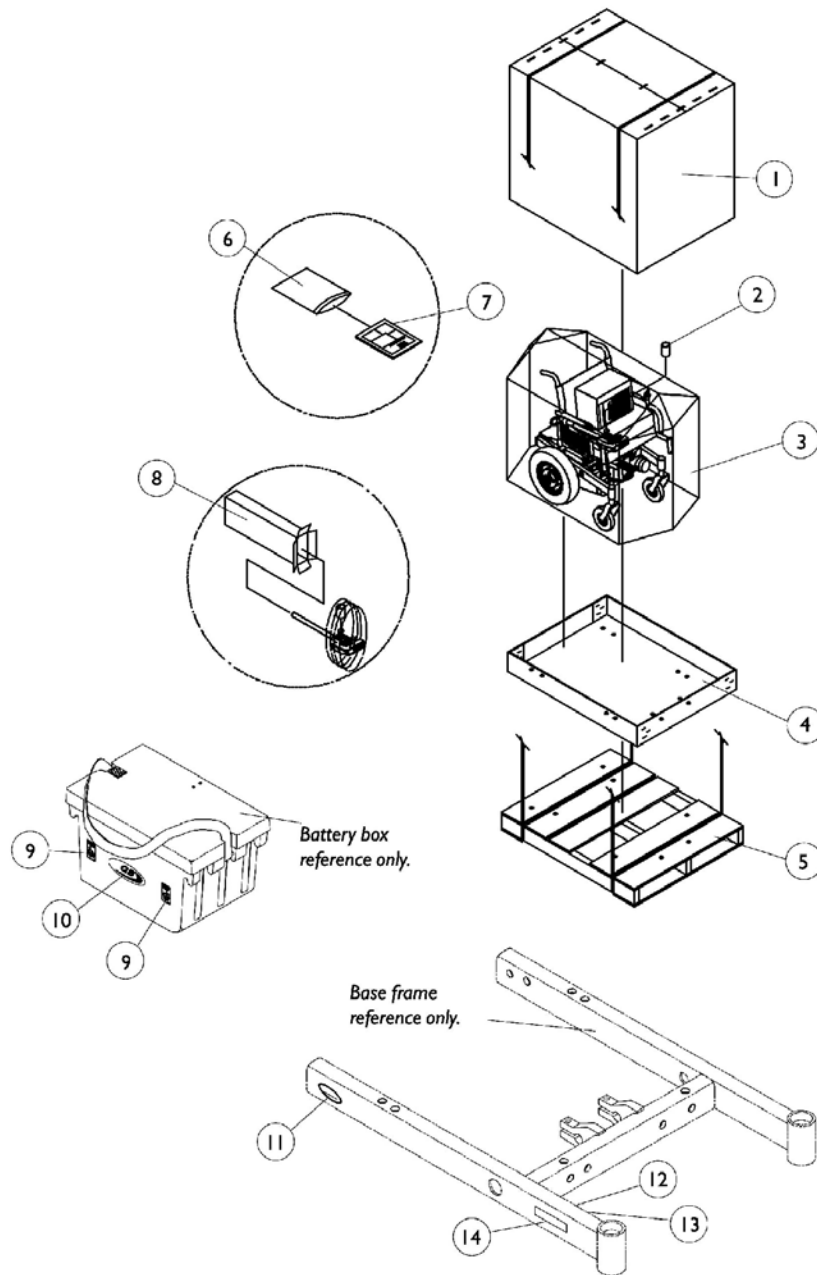
Frame Finishes, Touch-Up Paints and Upholstery Options

Upholstery Options

Vinyl Colors	Nylon Colors
U67 Black	U240 Black
U75 Dove Grey	
U85 Dark Blue	
U96 Ruby	
U97 Sky Blue	
U88 Camel	

Packaging, Literature and Decals

NOTE: When adjusting or replacing parts, please refer to your Owner's Manual for assistance.



Packaging, Literature and Decals

NOTE: When adjusting or replacing parts, please refer to your Owner's Manual for assistance.

Item Number	Note	Part Number	Description	Quantity Per	
				Package	Assembly
1	F	1030364	Carton, Cover	1	1
1	G	1031682	Carton, Cover	1	1
1	A	1030365	Carton, Cover	1	1
2		1023612	Paper Tube	1	1
3		1015609-NLA	Bag, Poly (28" W x 44" D x 80" H)	1	1
4		1030362	Carton, Tray	1	1
5	H	See Note	See Footnote	--	--
6		1021149	Bag, Poly Zip-Lip (13" Long x 9" Wide)	1	1
7		1081227-NLA	Owner's Manual - Storm Series	1	1
8	A	1012001	Carton, Joystick	1	1
9		1078219	Decal, Free Wheel Caution (G/B) - Right	1	1
10		1078220	Decal, Free Wheel Caution (G/B) - Left	1	1
10		1079259	Decal, Gearless/Brushless	1	1
11		1095489	Decal, Invacare 3-D Logo (2-1/2" L)	1	2
12		1035900	Decal, Transportation	1	1
13		1119281	Name Plate, Patent Numbers	1	1
14	D	1095226	Decal, Model, Torque (Black)	1	2
14		1095227	Decal, Model, Torque (White)	1	2
14	D	1095228	Decal, Model, Arrow (Black)	1	2
14		1095229	Decal, Model, Arrow (White)	1	2
14	D	1095230-NLA	Decal, Model, Ranger X (Black)	1	2
14		1095231	Decal, Model, Ranger X (White)	1	2
	B,E	1043623	Decal, Label Package, Torque (Black)	1	1
	B,E	1043624	Decal, Label Package, Torque (White)	1	1
	B,E	1043621	Decal, Label Package, Arrow (Black)	1	1
	B,E	1043622	Decal, Label Package, Arrow (White)	1	1
	B,E	1043625-NLA	Decal, Label Package, Storm X (Black)	1	1
	B,E	1043626-NLA	Decal, Label Package, Storm X (White)	1	1
	C,E	1080647-NLA	Decal, Label Package, Torque G/B (Black)	1	1
	C,E	1095492-NLA	Decal, Label Package, Torque (Black) G/B	1	1
	C,E	1079268-NLA	Decal, Label Package, Arrow G/B (Black)	1	1
	C,E	1095491-NLA	Decal, Label Package, Arrow (White) G/B	1	1
	C,E	1079249-NLA	Decal, Label Package, Ranger X - G/B (Black)	1	1
	C,E	1095490-NLA	Decal, Label Package, Ranger X (White) G/B	1	1
	E	00077X031	Warranty Card	1	1
	E	50000X121	Strap, Battery Lift	1	1

Packaging, Literature and Decals

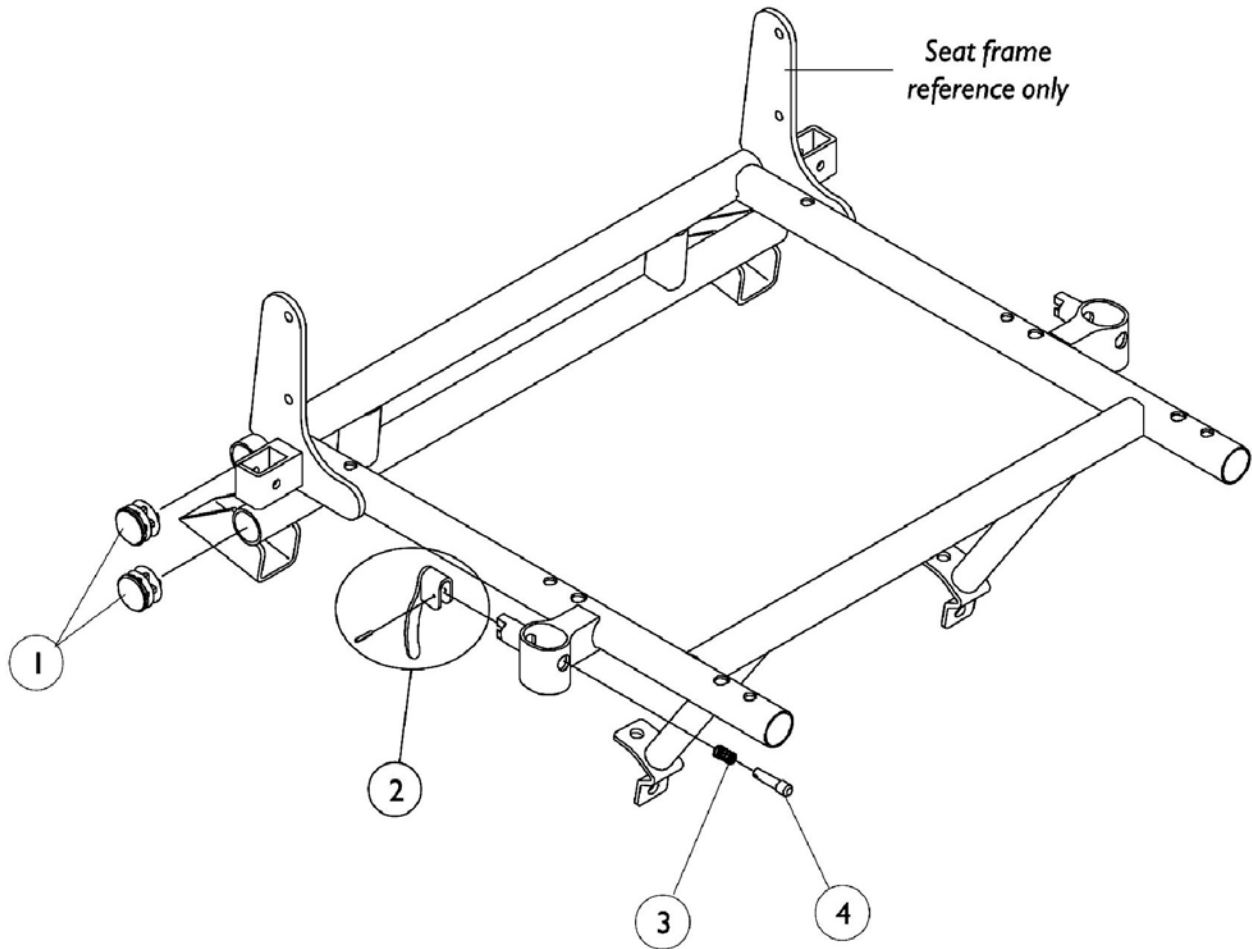
NOTE: When adjusting or replacing parts, please refer to your Owner's Manual for assistance.

NOTE: A - Used with Storm Base only.
B - Decal package includes Invacare logo, model, transportation and patent numbers decals.
C - Decal package includes Invacare logo, model, transportation, patent numbers and G/B decals.
D - Used for chairs with frame colors 02P, 29P, 30P, and 84P only.
E - Not Shown.
F - Used on a Non-Recliner chair.
G - Used on a recliner chair.
H - The wood skid is not provided.

NOTE: As of 1/11/2000 the Invacare logo was added along with new model decals and relocation of the G/B decal to the rear battery box assembly.

Seat Frame Hardware

Fixed and Adjustable Seat Frames



Seat Frame Hardware

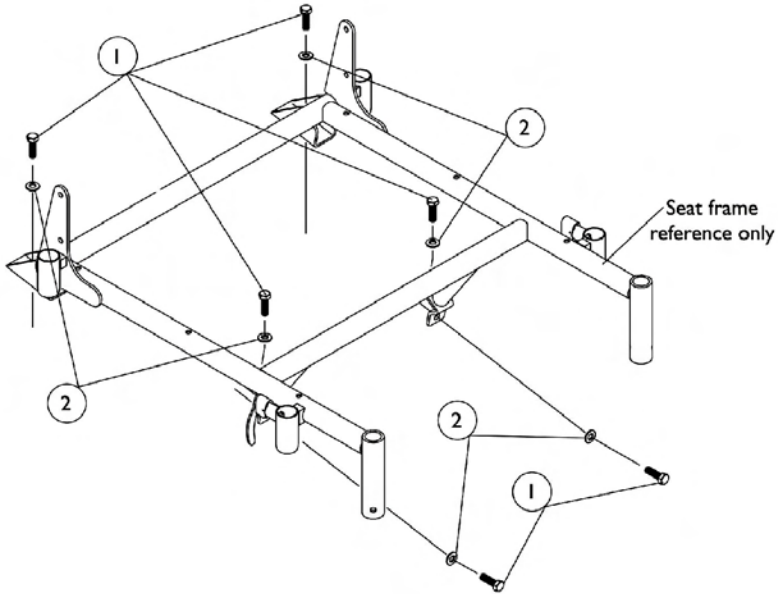
Fixed and Adjustable Seat Frames

Item Number	Note	Part Number	Description	Quantity Per	
				Package	Assembly
1	A	1029501	Plug Button, Black (1")	1	4
2		1090768	Kit, Lock Handle w/Rivets (both LT & RT side)	2	1
3		47471X074	Spring, Arm Lock	1	2
4		1028594	Pin, Arm Lock	1	2

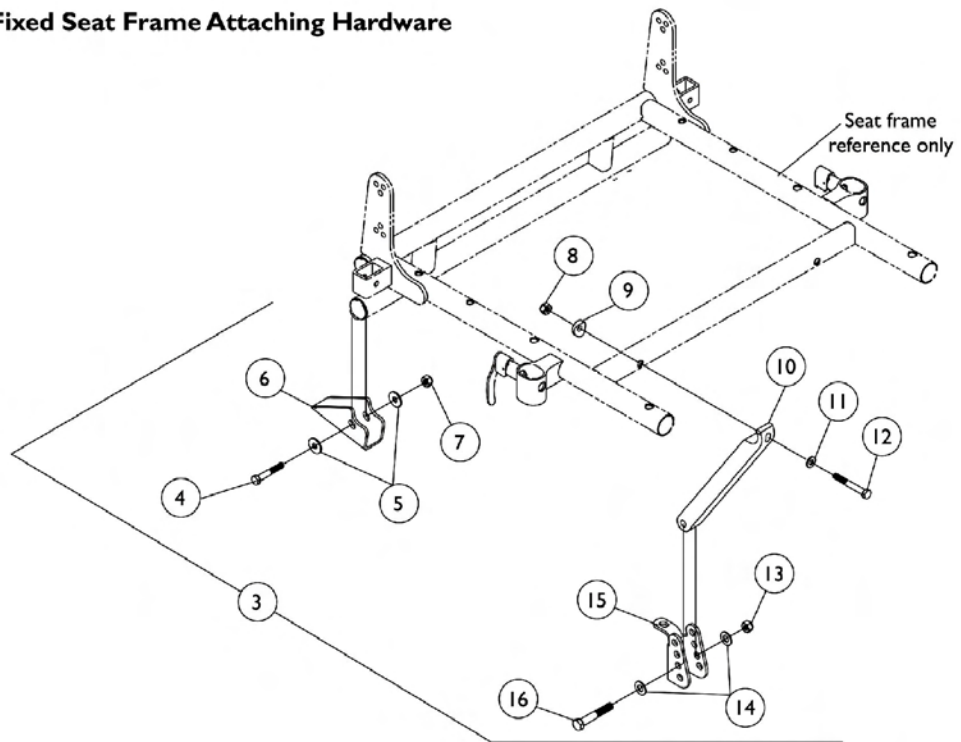
NOTE: A - Only (2) plug buttons are used with a Low Seat Frame.

Seat Frame Attaching Hardware

Fixed and Adjustable Seat Frames



Fixed Seat Frame Attaching Hardware



Adjustable Seat Frame Attaching Hardware

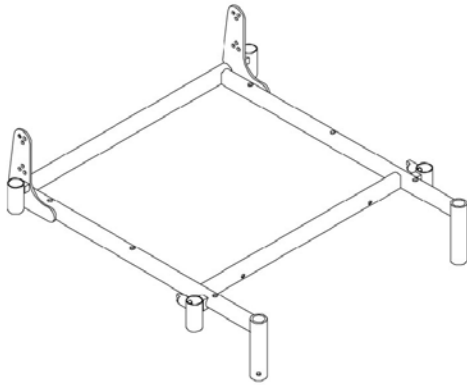
Seat Frame Attaching Hardware Fixed and Adjustable Seat Frames

Item Number	Note	Part Number	Description	Quantity Per	
				Package	Assembly
1		1039860	Screw, Hex Head Cap with Patch (5/16-18 x 3/4")	1	6
2		1025704	Washer, Flat (5/16 x 5/8 x 1/16")	1	6
3	A	1039822	Kit, Adjustable Seat Attaching Hardware - Low	1	1
4			Screw, Hex Head (1/4-20 x 1-1/2")	1	2
5			Washer (1/4 x 23/32 x 1/16")	1	4
6			Rear Seat Bracket	1	2
7			Locknut (1/4-20)	1	2
8			Locknut (1/4-28)	1	2
9			Spacer, Coved (1/4 x 11/16 x 1/2")	1	2
10			Link, Front - Low	1	2
11			Washer (1/4 x 1/2 x 1/16")	1	2
12			Screw, Hex Head (1/4-28 x 2")	1	2
13			Locknut (5/16-18)	1	2
14			Washer, Flat (5/16 x 5/8 x 1/16")	1	4
15			Front Seat Bracket	1	2
16			Screw, Hex Head Cap with Patch (5/16-18 x 1-3/4")	1	2
3	B	1044575	Kit, Adjustable Seat Attaching Hardware - Medium	1	1
4			Screw, Hex Head (1/4-20 x 1-1/2")	1	2
5			Washer (1/4 x 23/32 x 1/16")	1	4
6			Rear Seat Bracket	1	2
7			Locknut (1/4-20)	1	2
8			Locknut (1/4-28)	1	2
9			Spacer, Coved (1/4 x 11/16 x 1/2")	1	2
10			Link, Front - Medium	1	2
11			Washer (1/4 x 1/2 x 1/16")	1	2
12			Screw, Hex Head (1/4-28 x 2")	1	2
13			Locknut (5/16-18)	1	2
14			Washer, Flat (5/16 x 5/8 x 1/16")	1	4
15			Front Seat Bracket	1	2
16			Screw, Hex Head Cap with Patch (5/16-18 x 1-3/4")	1	2
3	C	1044570	Kit, Adjustable Seat Attaching Hardware - Tall	1	1
4			Screw, Hex Head (1/4-20 x 1-1/2")	1	2
5			Washer (1/4 x 23/32 x 1/16")	1	4
6			Rear Seat Bracket	1	2
7			Locknut (1/4-20)	1	2
8			Locknut (1/4-28)	1	2
9			Spacer, Coved (1/4 x 11/16 x 1/2")	1	2
10			Link, Front - Tall	1	2
11			Washer (1/4 x 1/2 x 1/16")	1	2
12			Screw, Hex Head (1/4-28 x 2")	1	2
13			Locknut (5/16-18)	1	2
14			Washer, Flat (5/16 x 5/8 x 1/16")	1	4

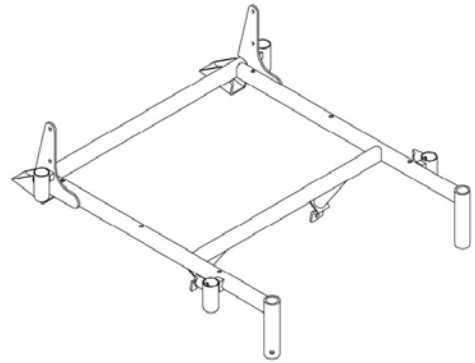
Seat Frame Attaching Hardware Fixed and Adjustable Seat Frames

Item Number	Note	Part Number	Description	Quantity Per	
				Package	Assembly
15			Front Seat Bracket	1	2
16			Screw, Hex Head Cap with Patch (5/16-18 x 1-3/4")	1	2
NOTE: A - Before 7/1/98 seat attaching hardware was used for both low and (medium on heavy duty models). After 6/30/98 the attaching hardware was used for low seat to floor settings only. B - Before 7/1/98 seat attaching hardware was used for both medium and (tall on heavy duty models). After 6/30/98 the attaching hardware was used for medium seat to floor settings only. C - For tall seat to floor on heavy duty models before 7/1/98 see item 3 part number 1044575					

Seat Frame Before 4/15/97
(17-1/2" S-T-F Standard LOW) or
(19" S-T-F Heavy Duty MEDIUM)



**Seat Frame-Low
Adjustable**



**Seat Frame-Low
Fixed**

**Seat Frame Before 4/15/97
(17-1/2" S-T-F Standard LOW) or
(19" S-T-F Heavy Duty MEDIUM)**

Width	16-17" Deep Adjustable	18-19" Deep Adjustable	16-17" Deep Fixed	18-19" Deep Fixed	20-21" Deep Fixed	22" Deep Fixed
12" W	1045189	N/A	N/A	N/A	N/A	N/A
13" W	1045190	N/A	N/A	N/A	N/A	N/A
14" W	1044612	1044632	1039954	1043138	1044651	1044679
15" W	1044613	1044633	1045311	1043139	1044652	1044680
16" W	1043912	1044634	1039955	1043140	1044653	1044681
17" W	1044614	1044635	1045312	1043141	1044654	1044682
18" W	1044615	1044636	1041859	1043142	1043914	1044683
19" W	1044616	1044637	1039956	1043143	1044655	1044684
20" W	1044617	1044568	1041850	1043144	1044566	1044685
21" W	1044618	1044638	1045313	1043145	1044656	1044686
22" W	1044619	1044639	1041881	1043146	1044657	1044687
23" W	1044620	1044640	1045314	1043147	1044658	1044688
	See Note(s) A	See Note(s) A	See Note(s) A	See Note(s) A	See Note(s) A	See Note(s) A
24" W	1044621	1044641	1041882	1043148	1044659	1044689
	See Note(s) A	See Note(s) A	See Note(s) A	See Note(s) A	See Note(s) A	See Note(s) A

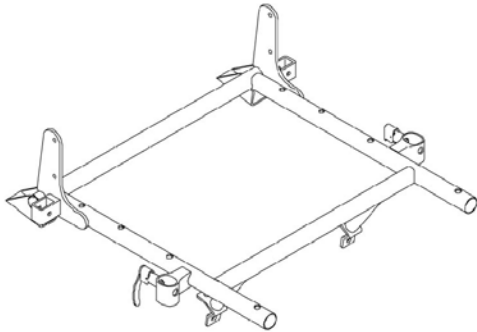
NOTE: A - 23" Wide and over only available on heavy duty chairs. Heavy duty option is not available on STORM RX.

Seat Frame Before 4/15/97
(17-1/2" S-T-F Standard LOW) or
(19" S-T-F Heavy Duty MEDIUM)

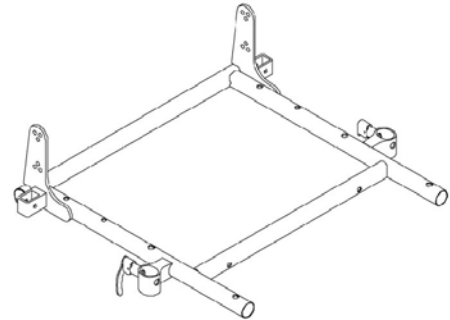
Torque

Width	16" Deep Adjustable	18" Deep Adjustable	16" Deep Fixed	18" Deep Fixed
16" W	1044025	1044029	1043910	1043921
18" W	1044027	1044510	1043917	1043923

Seat Frame Between 4/14/97 - 7/1/98 (17-1/2" S-T-F Standard LOW) or (19" S-T-F Heavy Duty MEDIUM)



**Seat Frame-Low
Fixed**



**Seat Frame-Low
Adjustable**

Width	16-17" Deep Adjustable	18-19" Deep Adjustable	16-17" Deep Fixed	18-19" Deep Fixed	20-21" Deep Fixed	22" Deep Fixed
12" W	1066789	N/A	N/A	N/A	N/A	N/A
13" W	1066790	N/A	N/A	N/A	N/A	N/A
14" W	1066791	1066802	1066813	1066824	1066835	1066846
15" W	1066792	1066803	1066814	1066825	1066836	1066847
16" W	1066793	1066804	1066815	1066826	1066837	1066848
17" W	1066794	1066805	1066816	1066827	1066838	1066849
18" W	1066795	1066806	1066817	1066828	1066839	1066850
19" W	1066796	1066807	1066818	1066829	1066840	1066851
20" W	1066797	1066808	1066819	1066830	1066841	1066852
21" W	1066798	1066809	1066820	1066831	1066842	1066853
22" W	1066799	1066810	1066821	1066832	1066843	1066854
23" W	1066800 See Note(s) A	1066811 See Note(s) A	1066822 See Note(s) A	1066833 See Note(s) A	1066844 See Note(s) A	1066855 See Note(s) A
24" W	1066801 See Note(s) A	1066812 See Note(s) A	1066823 See Note(s) A	1066834 See Note(s) A	1066845 See Note(s) A	1066856 See Note(s) A

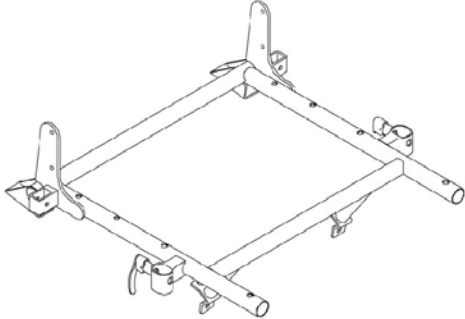
NOTE: A - 23" Wide and over only available on heavy duty chairs. Heavy duty option is not available on STORM RX.

Seat Frame Between 4/14/97 - 7/1/98
(17-1/2" S-T-F Standard LOW) or
(19" S-T-F Heavy Duty MEDIUM)

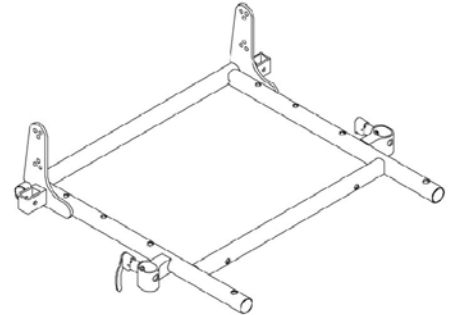
Torque

Width	16" Deep Adjustable	18" Deep Adjustable	16" Deep Fixed	18" Deep Fixed
16" W	1066986	1066988	1066990	1066992
18" W	1066987	1066989	1066991	1066993

Seat Frame After 6/30/98 (17-1/2" S-T-F LOW)



**Seat Frame-Low
Fixed**



**Seat Frame-Low
Adjustable**

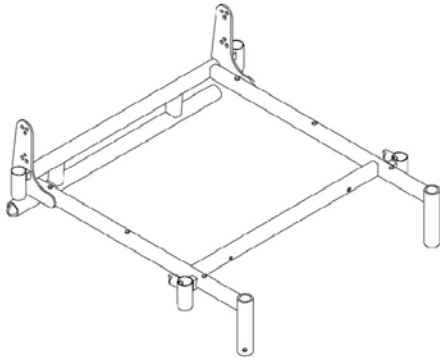
Width	16-17" Deep Adjustable	18-19" Deep Adjustable	16-17" Deep Fixed	18-19" Deep Fixed	20-21" Deep Fixed	22" Deep Fixed
12" W	1066789	N/A	N/A	N/A	N/A	N/A
13" W	1066790	N/A	N/A	N/A	N/A	N/A
14" W	1066791	1066802	1066813	1066824	1066835	1066846
15" W	1066792	1066803	1066814	1066825	1066836	1066847
16" W	1066793	1066804	1066815	1066826	1066837	1066848
17" W	1066794	1066805	1066816	1066827	1066838	1066849
18" W	1066795	1066806	1066817	1066828	1066839	1066850
19" W	1066796	1066807	1066818	1066829	1066840	1066851
20" W	1066797	1066808	1066819	1066830	1066841	1066852
21" W	1066798	1066809	1066820	1066831	1066842	1066853
22" W	1066799	1066810	1066821	1066832	1066843	1066854
23" W	1066800	1066811	1066822	1066833	1066844	1066855
24" W	1066801	1066812	1066823	1066834	1066845	1066856

Seat Frame After 6/30/98
(17-1/2" S-T-F LOW)

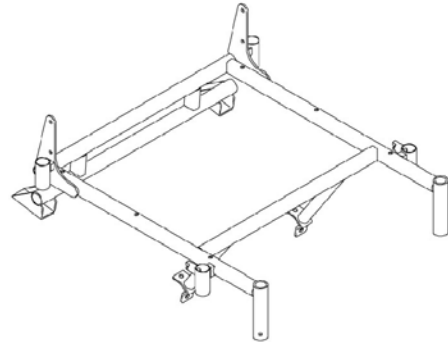
Torque

Width	16" Deep Adjustable	18" Deep Adjustable	16" Deep Fixed	18" Deep Fixed
16" W	1066986	1066988	1066990	1066992
18" W	1066987	1066989	1066991	1066993

Seat Frame Before 4/15/97
(19-3/4" S-T-F Standard MEDIUM) or
(21" S-T-F Heavy Duty TALL)



**Medium Seat Frame
Adjustable**



**Medium Seat Frame
Fixed**

Width	16-17" Deep Adjustable	18-19" Deep Adjustable	16-17" Deep Fixed	18-19" Deep Fixed	20-21" Deep Fixed	22" Deep Fixed
12" W	1045191	N/A	N/A	N/A	N/A	N/A
13" W	1045192	N/A	N/A	N/A	N/A	N/A
14" W	1044985	1045029	1043002	1044703	1045006	1045104
15" W	1044986	1045030	1044664	1044704	1045007	1045105
16" W	1044987	1045031	1043003	1044705	1045008	1045106
17" W	1044988	1045032	1044665	1044706	1045009	1045107
18" W	1043913	1045033	1041898	1044707	1045010	1045108
19" W	1044989	1045034	1043004	1044708	1045011	1045109
20" W	1044990	1045035	1043005	1044979	1045012	1045110
21" W	1044991	1045036	1044666	1044980	1045013	1045111
22" W	1044992	1045037	1043006	1044981	1045014	1045112
23" W	1044993 See Note(s) A	1045038 See Note(s) A	1044667 See Note(s) A	1044982 See Note(s) A	1045015 See Note(s) A	1045113 See Note(s) A
24" W	1044994 See Note(s) A	1045039 See Note(s) A	1043007 See Note(s) A	1044983 See Note(s) A	1045016 See Note(s) A	1045114 See Note(s) A

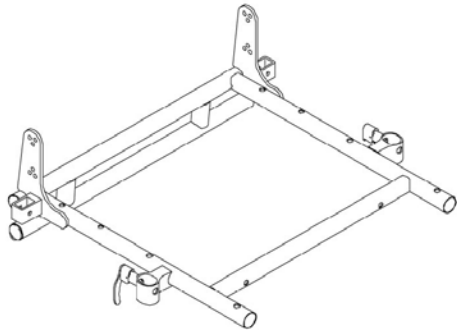
NOTE: A - 23" Wide and over only available on heavy duty chairs. Heavy duty option is not available on STORM RX.

Seat Frame Before 4/15/97
(19-3/4" S-T-F Standard MEDIUM) or
(21" S-T-F Heavy Duty TALL)

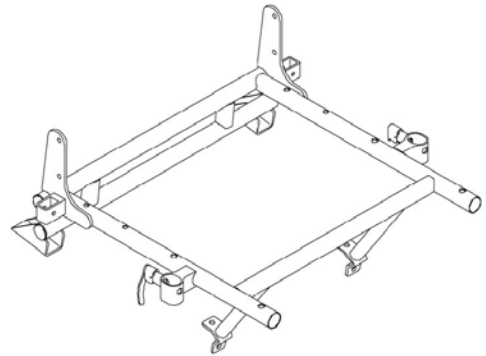
Torque

Width	16" Deep Adjustable	18" Deep Adjustable	16" Deep Fixed	18" Deep Fixed
16" W	1044512	1044516	1043925	1043975
18" W	1043908	1044518	1043973	1043977

Seat Frame Between 4/14/97 - 7/1/98
(19-3/4" S-T-F MEDIUM) or
(21" S-T-F Heavy Duty TALL)



Medium Seat Frame
Adjustable



Medium Seat Frame
Fixed

Seat Frame Between 4/14/97 - 7/1/98
(19-3/4" S-T-F MEDIUM) or
(21" S-T-F Heavy Duty TALL)

Width	16-17" Deep Adjustable	18-19" Deep Adjustable	16-17" Deep Fixed	18-19" Deep Fixed	20-21" Deep Fixed	22" Depth Fixed
12" W	1066857	N/A	N/A	N/A	N/A	N/A
13" W	1066858	N/A	N/A	N/A	N/A	N/A
14" W	1066859	1066870	1066881	1066892	1066903	1066914
15" W	1066860	1066871	1066882	1066893	1066904	1066915
16" W	1066861	1066872	1066883	1066894	1066905	1066916
17" W	1066862	1066873	1066884	1066895	1066906	1066917
18" W	1066863	1066874	1066885	1066896	1066907	1066918
19" W	1066864	1066875	1066886	1066897	1066908	1066919
20" W	1066865	1066876	1066887	1066898	1066909	1066920
21" W	1066866	1066877	1066888	1066899	1066910	1066921
22" W	1066867	1066878	1066889	1066900	1066911	1066922
23" W	1066868	1066879	1066890	1066901	1066912	1066923
	See Note(s) A	See Note(s) A	See Note(s) A	See Note(s) A	See Note(s) A	See Note(s) A
24" W	1066869	1066880	1066891	1066902	1066913	1066924
	See Note(s) A	See Note(s) A	See Note(s) A	See Note(s) A	See Note(s) A	See Note(s) A

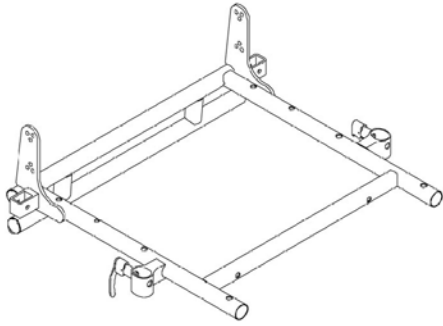
NOTE: A - 23" Wide and over only available on heavy duty chairs. Heavy duty option is not available on STORM RX.

Seat Frame Between 4/14/97 - 7/1/98
(19-3/4" S-T-F MEDIUM) or
(21" S-T-F Heavy Duty TALL)

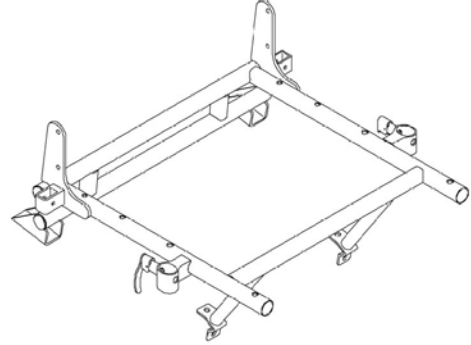
Torque

Width	16" Deep Adjustable	18" Deep Adjustable	16" Deep Fixed	18" Deep Fixed
16" W	1066994	1066996	1066998	1067000
18" W	1066995	1066997	1066999	1067001

Seat Frame After 6/30/98 (19-3/4" S-T-F MEDIUM)



**Medium Seat Frame
Adjustable**



**Medium Seat Frame
Fixed**

Width	16-17" Deep Adjustable	18-19" Deep Adjustable	16-17" Depth Fixed	18-19" Depth Fixed	20-21" Depth Fixed	22" Depth Fixed
12" W	1066857	N/A	N/A	N/A	N/A	N/A
13" W	1066858	N/A	N/A	N/A	N/A	N/A
14" W	1066859	1066870	1066881	1066892	1066903	1066914
15" W	1066860	1066871	1066882	1066893	1066904	1066915
16" W	1066861	1066872	1066883	1066894	1066905	1066916
17" W	1066862	1066873	1066884	1066895	1066906	1066917
18" W	1066863	1066874	1066885	1066896	1066907	1066918
19" W	1066864	1066875	1066886	1066897	1066908	1066919
20" W	1066865	1066876	1066887	1066898	1066909	1066920
21" W	1066866	1066877	1066888	1066899	1066910	1066921
22" W	1066867	1066878	1066889	1066900	1066911	1066922
23" W	1066868	1066879	1066890	1066901	1066912	1066923
See Note(s) A	See Note(s) A	See Note(s) A	See Note(s) A	See Note(s) A	See Note(s) A	See Note(s) A
24" W	1066869	1066880	1066891	1066902	1066913	1066924
See Note(s) A	See Note(s) A	See Note(s) A	See Note(s) A	See Note(s) A	See Note(s) A	See Note(s) A

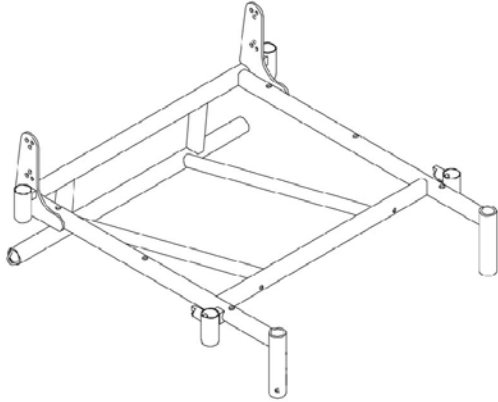
NOTE: A - 23" Wide and over only available on heavy duty chairs. Heavy duty option is not available on STORM RX.

Seat Frame After 6/30/98
(19-3/4" S-T-F MEDIUM)

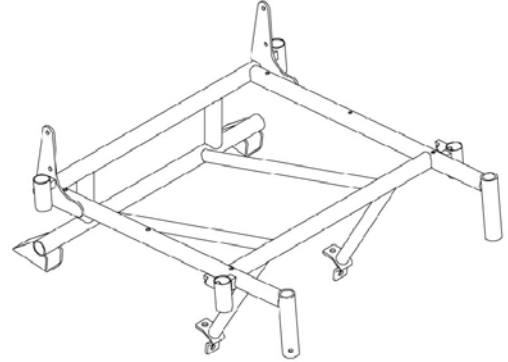
Torque

Width	16" Deep Adjustable	18" Deep Adjustable	16" Deep Fixed	18" Deep Fixed
16" W	1066994	1066996	1066998	1067000
18" W	1066995	1066997	1066999	1067001

Seat Frame Before 4/15/97 (21-1/2" S-T-F TALL)



**High Seat Frame
Adjustable**

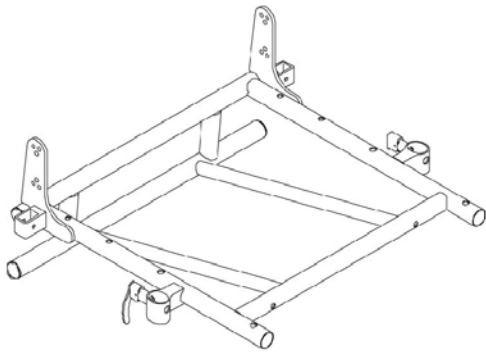


**High Seat Frame
Fixed**

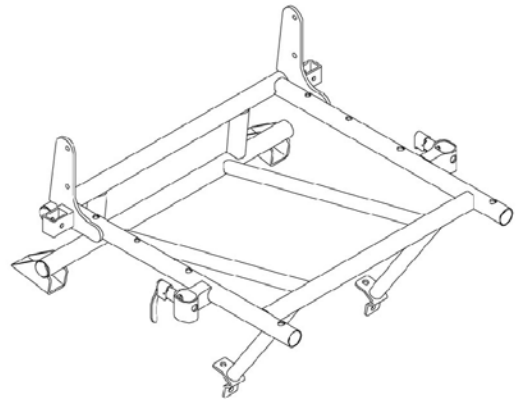
Width	16-17" Deep Adjustable	18-19" Deep Adjustable	16-17" Deep Fixed	18-19" Deep Fixed	20-21" Deep Fixed	22" Deep Fixed
14" W	1045050	1045296	1044531	1044552	1045326	Special
15" W	1045051	1045297	1044532	1044553	1045327	Special
16" W	1045052	1045298	1044533	1044554	1045328	Special
17" W	1045053	1045299	1044534	1044555	1045553	Special
18" W	1044564	1045300	1043911	1044556	1045554	Special
19" W	1045054	1045301	1044535	1044557	1045555	Special
20" W	1045055	1045302	1044536	1044558	1045556	Special
21" W	1045056	1045303	1044537	1044559	1045557	Special
22" W	1045057	1045304	1044538	1044560	1045558	Special

Not available on heavy duty base.

Seat Frame Between 4/14/97 - 7/1/98 (21-1/2" S-T-F TALL)



**High Seat Frame
Adjustable**

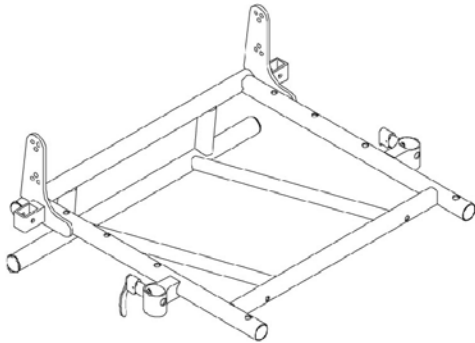


**High Seat Frame
Fixed**

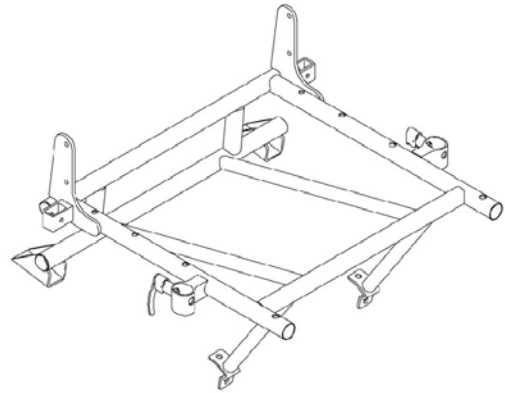
Width	16-17" Deep Adjustable	18-19" Deep Adjustable	16-17" Deep Fixed	18-19" Deep Fixed	20-21" Deep Fixed	22" Deep Fixed
14" W	1066925	1066934	1066943	1066952	1066961	Special
15" W	1066926	1066935	1066944	1066953	1066962	Special
16" W	1066927	1066936	1066945	1066954	1066963	Special
17" W	1066928	1066937	1066946	1066955	1066964	Special
18" W	1066929	1066938	1066947	1066956	1066965	Special
19" W	1066930	1066939	1066948	1066957	1066966	Special
20" W	1066931	1066940	1066949	1066958	1066967	Special
21" W	1066932	1066941	1066950	1066959	1066968	Special
22" W	1066933	1066942	1066951	1066960	1066969	Special

NOTE: Not available on heavy duty base.

Seat Frame After 6/30/98 (21-1/2" S-T-F TALL)



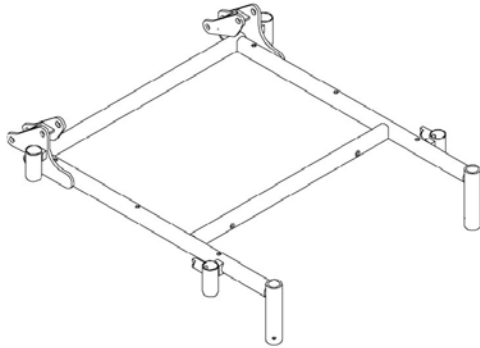
**High Seat Frame
Adjustable**



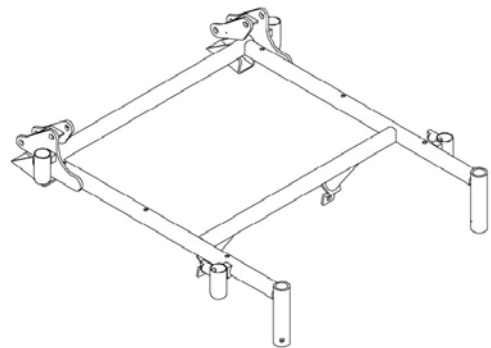
**High Seat Frame
Fixed**

Width	16-17" Deep Adjustable	18-19" Deep Adjustable	16-17" Deep Fixed	18-19" Deep Fixed	20-21" Deep Fixed	22" Deep Fixed
14" W	1066925	1066934	1066943	1066952	1066961	Special
15" W	1066926	1066935	1066944	1066953	1066962	Special
16" W	1066927	1066936	1066945	1066954	1066963	Special
17" W	1066928	1066937	1066946	1066955	1066964	Special
18" W	1066929	1066938	1066947	1066956	1066965	Special
19" W	1066930	1066939	1066948	1066957	1066966	Special
20" W	1066931	1066940	1066949	1066958	1066967	Special
21" W	1066932	1066941	1066950	1066959	1066968	Special
22" W	1066933	1066942	1066951	1066960	1066969	Special

Recliner Seat Frame Before 4/15/97
(17-1/2" S-T-F Standard LOW) or
(19" S-T-F Heavy Duty MEDIUM)



**Seat Frame-Low
Adjustable**

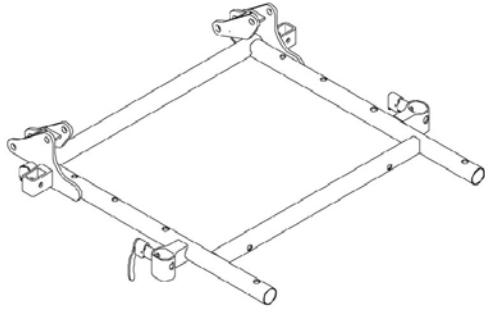


**Seat Frame-Low
Fixed**

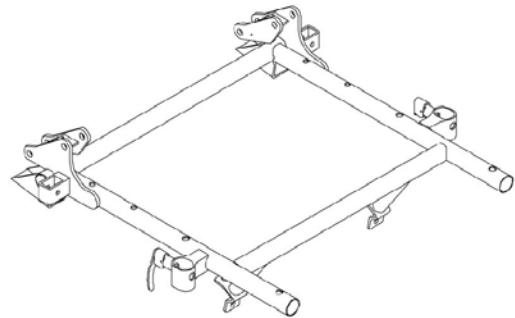
Width	16-17" Deep Adjustable	18-19" Deep Adjustable	20-21" Deep Fixed	22" Deep Fixed
14" W	1051902	1051913	1051924	1051935
15" W	1051903	1051914	1051925	1051936
16" W	1051904	1051915	1051926	1051937
17" W	1051905	1051916	1051927	1051938
18" W	1051906	1051917	1051928	1051939
19" W	1051907	1051918	1051929	1051940
20" W	1051908	1051919	1051930	1051941
21" W	1051909	1051920	1051931	1051942
22" W	1051910	1051921	1051932	1051943
23" W	1051911 See Note(s) A	1051922 See Note(s) A	1051933 See Note(s) A	1051944 See Note(s) A
24" W	1051912 See Note(s) A	1051923 See Note(s) A	1051934 See Note(s) A	1051945 See Note(s) A

NOTE: A - 23" Wide and over only available on heavy duty chairs. Heavy duty option is not available on STORM RX.

Recliner Seat Frame Between 4/14/97 - 7/1/98 (17-1/2" S-T-F Standard LOW) or (19" S-T-F Heavy Duty MEDIUM)



**Seat Frame-Low
Adjustable**

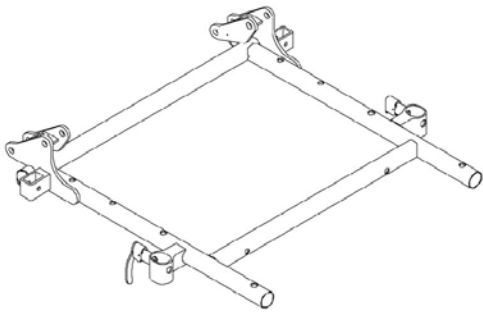


**Seat Frame-Low
Fixed**

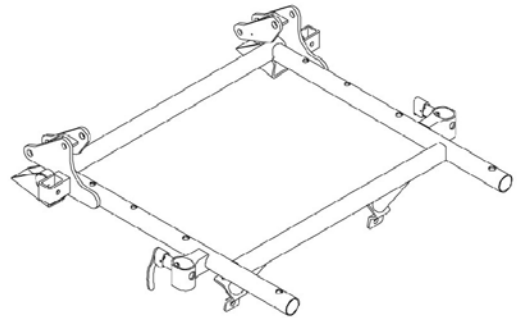
Width	16-17" Deep Adjustable	18-19" Deep Adjustable	20-21" Deep Fixed	22" Deep Fixed
14" W	1067126	1067137	1067148	1067159
15" W	1067127	1067138	1067149	1067160
16" W	1067128	1067139	1067150	1067161
17" W	1067129	1067140	1067151	1067162
18" W	1067130	1067141	1067152	1067163
19" W	1067131	1067142	1067153	1067164
20" W	1067132	1067143	1067154	1067165
21" W	1067133	1067144	1067155	1067166
22" W	1067134	1067145	1067156	1067167
23" W	1067135 See Note(s) A	1067146 See Note(s) A	1067157 See Note(s) A	1067168 See Note(s) A
24" W	1067136 See Note(s) A	1067147 See Note(s) A	1067158 See Note(s) A	1067169 See Note(s) A

NOTE: A - 23" Wide and over only available on heavy duty chairs. Heavy duty option is not available on STORM RX.

Recliner Seat Frame After 6/30/98 (17-1/2" S-T-F LOW)



**Seat Frame-Low
Adjustable**



**Seat Frame-Low
Fixed**

Recliner Seat Frame After 6/30/98 (17-1/2" S-T-F LOW)

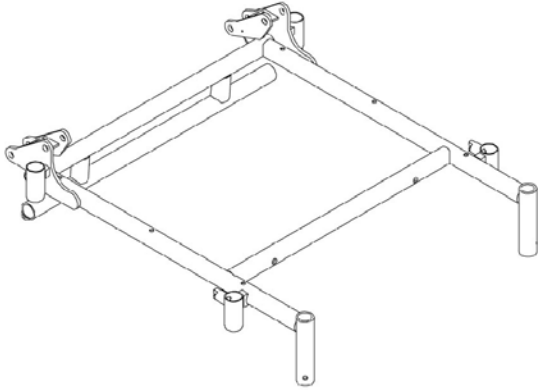
Width	16-17" Deep Adjustable	18-19" Deep Adjustable	20-21" Deep Fixed	22" Deep Fixed
14" W	1067126	1067137	1067148	1067159
15" W	1067127	1067138	1067149	1067160
16" W	1067128	1067139	1067150	1067161
17" W	1067129	1067140	1067151	1067162
18" W	1067130	1067141	1067152	1067163
19" W	1067131	1067142	1067153	1067164
20" W	1067132	1067143	1067154	1067165
21" W	1067133	1067144	1067155	1067166
22" W	1067134	1067145	1067156	1067167
23" W	1067135 See Note(s) A	1067146 See Note(s) A	1067157 See Note(s) A	1067168 See Note(s) A
24" W	1067136 See Note(s) A	1067147 See Note(s) A	1067158 See Note(s) A	1067169 See Note(s) A

NOTE: A - 23" Wide and over only available on heavy duty chairs. Heavy duty option is not available on STORM RX.

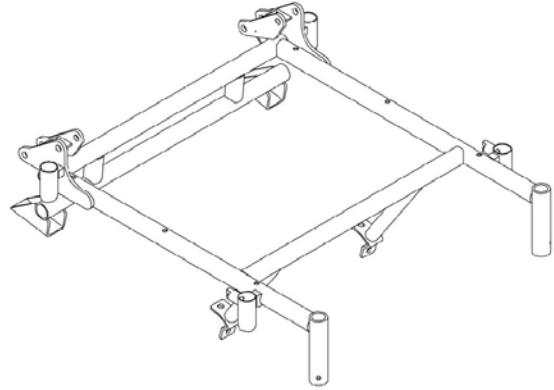
Recliner Seat Frame Before 4/15/97

(19-3/4" S-T-F Standard MEDIUM) or (21" S-T-F Heavy Duty TALL)

NOTE: Not available on heavy duty base.



**Medium Seat Frame
Adjustable**

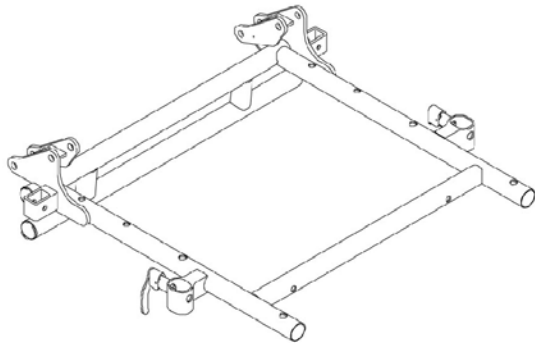


**Medium Seat Frame
Fixed**

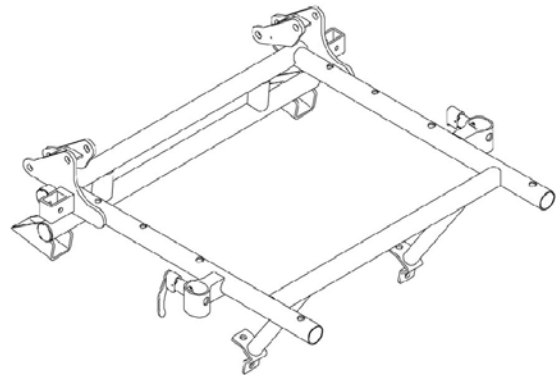
Width	16-17" Deep Adjustable	18-19" Deep Adjustable	20-21" Deep Fixed	22" Deep Fixed
14" W	1051946	1051957	1051968	1051979
15" W	1051947	1051958	1051969	1051980
16" W	1051948	1051959	1051970	1051981
17" W	1051949	1051960	1051971	1051982
18" W	1051950	1051961	1051972	1051983
19" W	1051951	1051962	1051973	1051984
20" W	1051952	1051963	1051974	1051985
21" W	1051953	1051964	1051975	1051986
22" W	1051954	1051965	1051976	1051987
23" W	1051955 See Note(s) A	1051966 See Note(s) A	1051977 See Note(s) A	1051988 See Note(s) A
24" W	1051956 See Note(s) A	1051967 See Note(s) A	1051978 See Note(s) A	1051989 See Note(s) A

NOTE: A - 23" Wide and over only available on heavy duty chairs. Heavy duty option is not available on STORM RX.

Recliner Seat Frame Between 4/14/97 - 7/1/98 (19-3/4" S-T-F Standard MEDIUM) or (21" S-T-F Heavy Duty TALL)



**Medium Seat Frame
Adjustable**

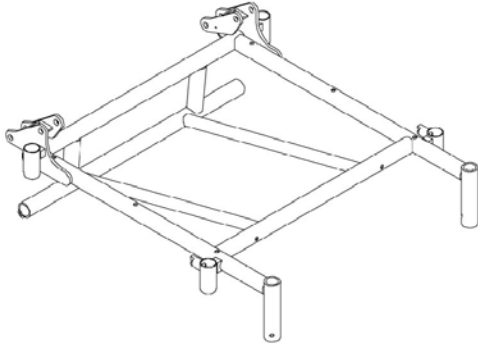


**Medium Seat Frame
Fixed**

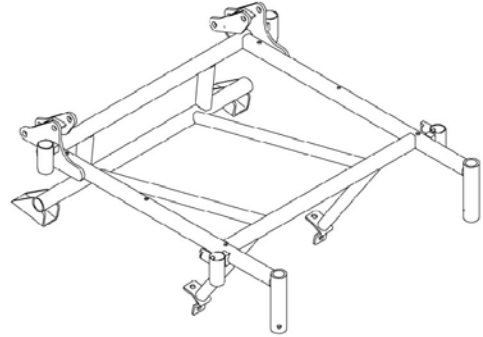
Width	16-17" Deep Adjustable	18-19" Deep Adjustable	20-21" Deep Fixed	22" Deep Fixed
14" W	1067170	1067181	1067192	1067203
15" W	1067171	1067182	1067193	1067204
16" W	1067172	1067183	1067194	1067205
17" W	1067173	1067184	1067195	1067206
18" W	1067174	1067185	1067196	1067207
19" W	1067175	1067186	1067197	1067208
20" W	1067176	1067187	1067198	1067209
21" W	1067177	1067188	1067199	1067210
22" W	1067178	1067189	1067200	1067211
23" W	1067179 See Note(s) A	1067190 See Note(s) A	1067201 See Note(s) A	1067212 See Note(s) A
24" W	1067180 See Note(s) A	1067191 See Note(s) A	1067202 See Note(s) A	1067213 See Note(s) A

NOTE: A - 23" Wide and over only available on heavy duty chairs. Heavy duty option is not available on STORM RX.

Recliner Seat Frame After 6/30/98 (19-3/4" S-T-F MEDIUM)



**High Seat Frame
Adjustable**

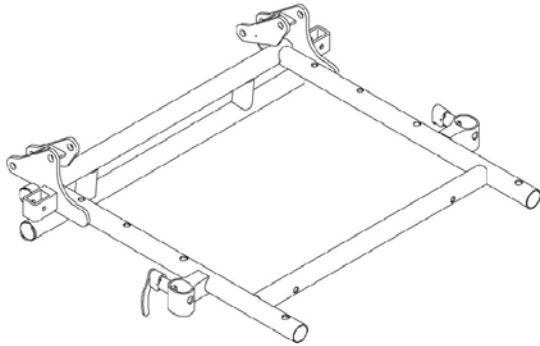


**High Seat Frame
Fixed**

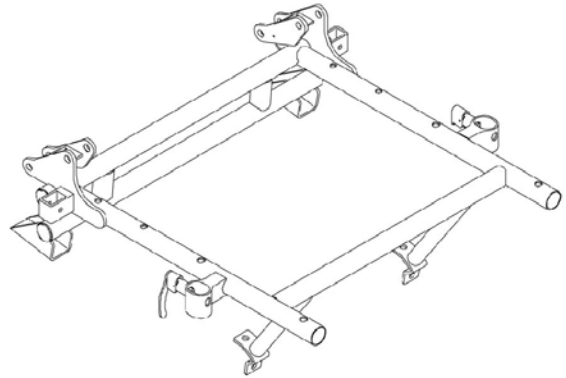
Width	16-17" Deep Adjustable	18-19" Deep Adjustable	20-21" Deep Fixed	22" Deep Fixed
14" W	1067170	1067181	1067192	1067203
15" W	1067171	1067182	1067193	1067204
16" W	1067172	1067183	1067194	1067205
17" W	1067173	1067184	1067195	1067206
18" W	1067174	1067185	1067196	1067207
19" W	1067175	1067186	1067197	1067208
20" W	1067176	1067187	1067198	1067209
21" W	1067177	1067188	1067199	1067210
22" W	1067178	1067189	1067200	1067211
23" W	1067179 See Note(s) A	1067190 See Note(s) A	1067201 See Note(s) A	1067212 See Note(s) A
24" W	1067180 See Note(s) A	1067191 See Note(s) A	1067202 See Note(s) A	1067213 See Note(s) A

NOTE: A - 23" Wide and over only available on heavy duty chairs. Heavy duty option is not available on STORM RX.

Recliner Seat Frame Before 4/15/97 (21-1/2" S-T-F TALL)



**Medium Seat Frame
Adjustable**

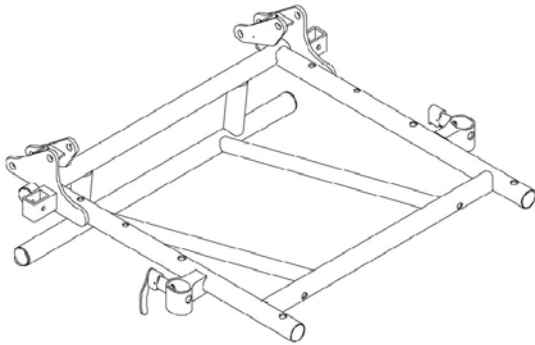


**Medium Seat Frame
Fixed**

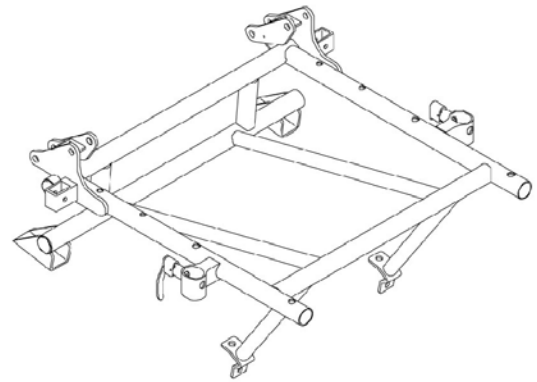
Width	16-17" Deep Adjustable	18-19" Deep Adjustable	20-21" Deep Fixed	22" Deep Fixed
14" W	1051990	1052001	1052012	1052023
15" W	1051991	1052002	1052013	1052024
16" W	1051992	1052003	1052014	1052025
17" W	1051993	1052004	1052015	1052026
18" W	1051994	1052005	1052016	1052027
19" W	1051995	1052006	1052017	1052028
20" W	1051996	1052007	1052018	1052029
21" W	1051997	1052008	1052019	1052030
22" W	1051998	1052009	1052020	1052031

Not available on heavy duty base

Recliner Seat Frame Between 4/14/97 - 7/1/98 (21-1/2" S-T-F Standard TALL)



**High Seat Frame
Adjustable**

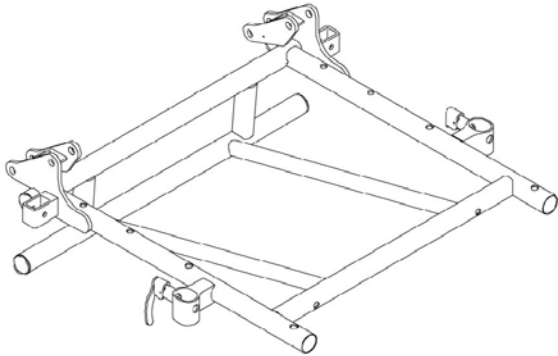


**High Seat Frame
Fixed**

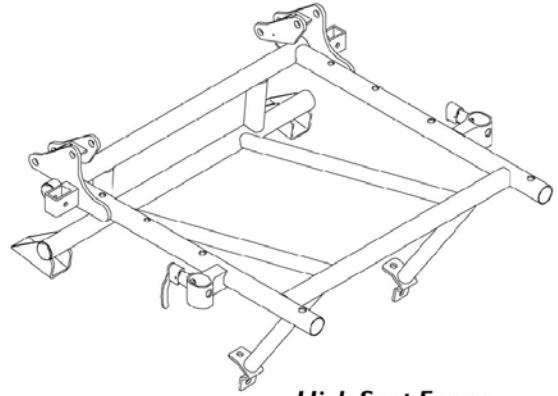
21-1/2" Seat to Floor Standard - Tall

Width	16-17" Deep Adjustable	18-19" Deep Adjustable	20-21" Deep Fixed	22" Deep Fixed
14" W	1067214	1067223	1067232	1067241
15" W	1067215	1067224	1067233	1067242
16" W	1067216	1067225	1067234	1067243
17" W	1067217	1067226	1067235	1067244
18" W	1067218	1067227	1067236	1067245
19" W	1067219	1067228	1067237	1067246
20" W	1067220	1067229	1067238	1067247
21" W	1067221	1067230	1067239	1067248
22" W	1067222	1067231	1067240	1067249

Recliner Seat Frame After 6/30/98 (21-1/2" S-T-F TALL)



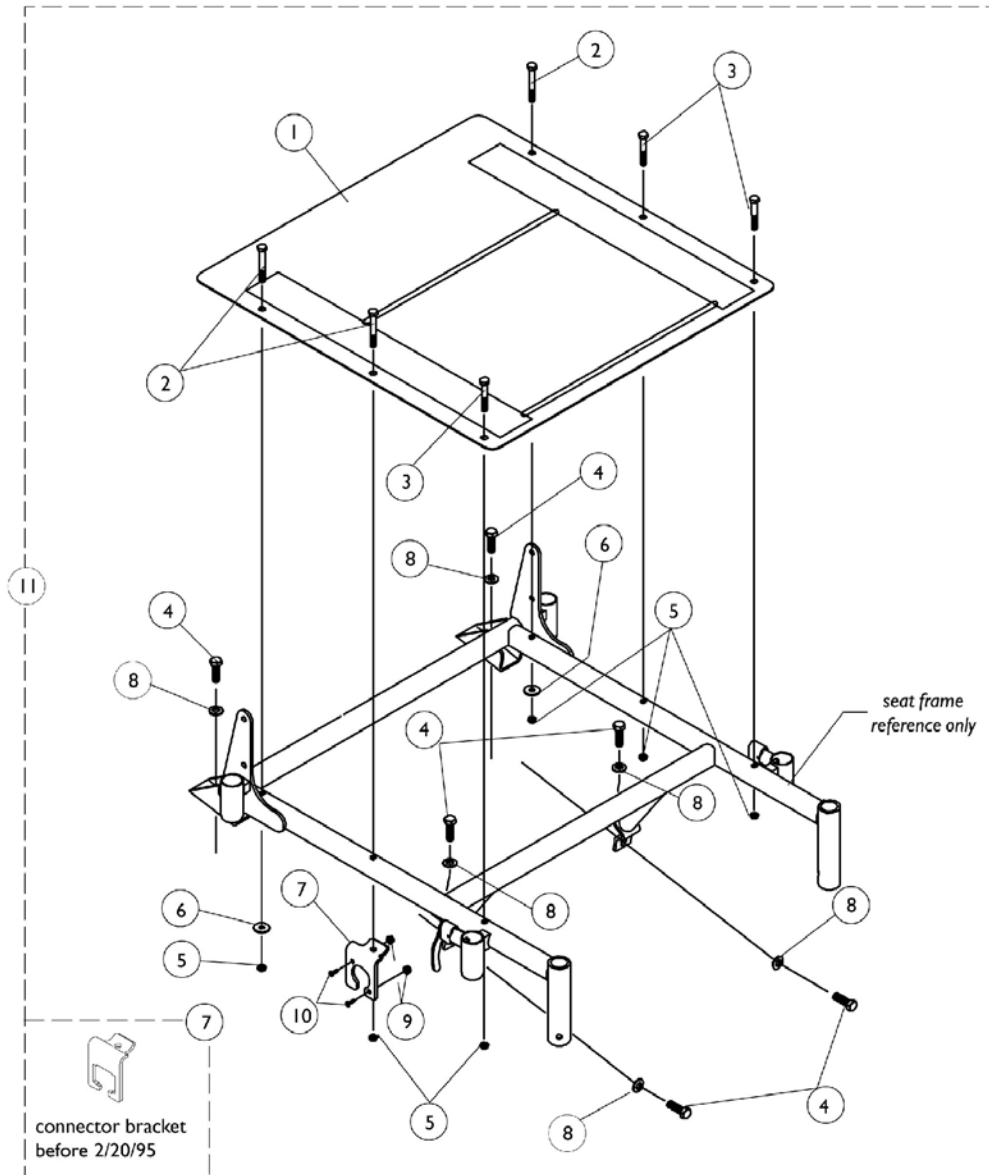
**High Seat Frame
Adjustable**



**High Seat Frame
Fixed**

Width	16-17" Deep Adjustable	18-19" Deep Adjustable	20-21" Deep Fixed	22" Deep Fixed
14" W	1067214	1067223	1067232	1067241
15" W	1067215	1067224	1067233	1067242
16" W	1067216	1067225	1067234	1067243
17" W	1067217	1067226	1067235	1067244
18" W	1067218	1067227	1067236	1067245
19" W	1067219	1067228	1067237	1067246
20" W	1067220	1067229	1067238	1067247
21" W	1067221	1067230	1067239	1067248
22" W	1067222	1067231	1067240	1067249

Seat Pan and Attaching Hardware (Before 4/15/97)



Seat Pan and Attaching Hardware (Before 4/15/97)

Item #1 - Seat Pan

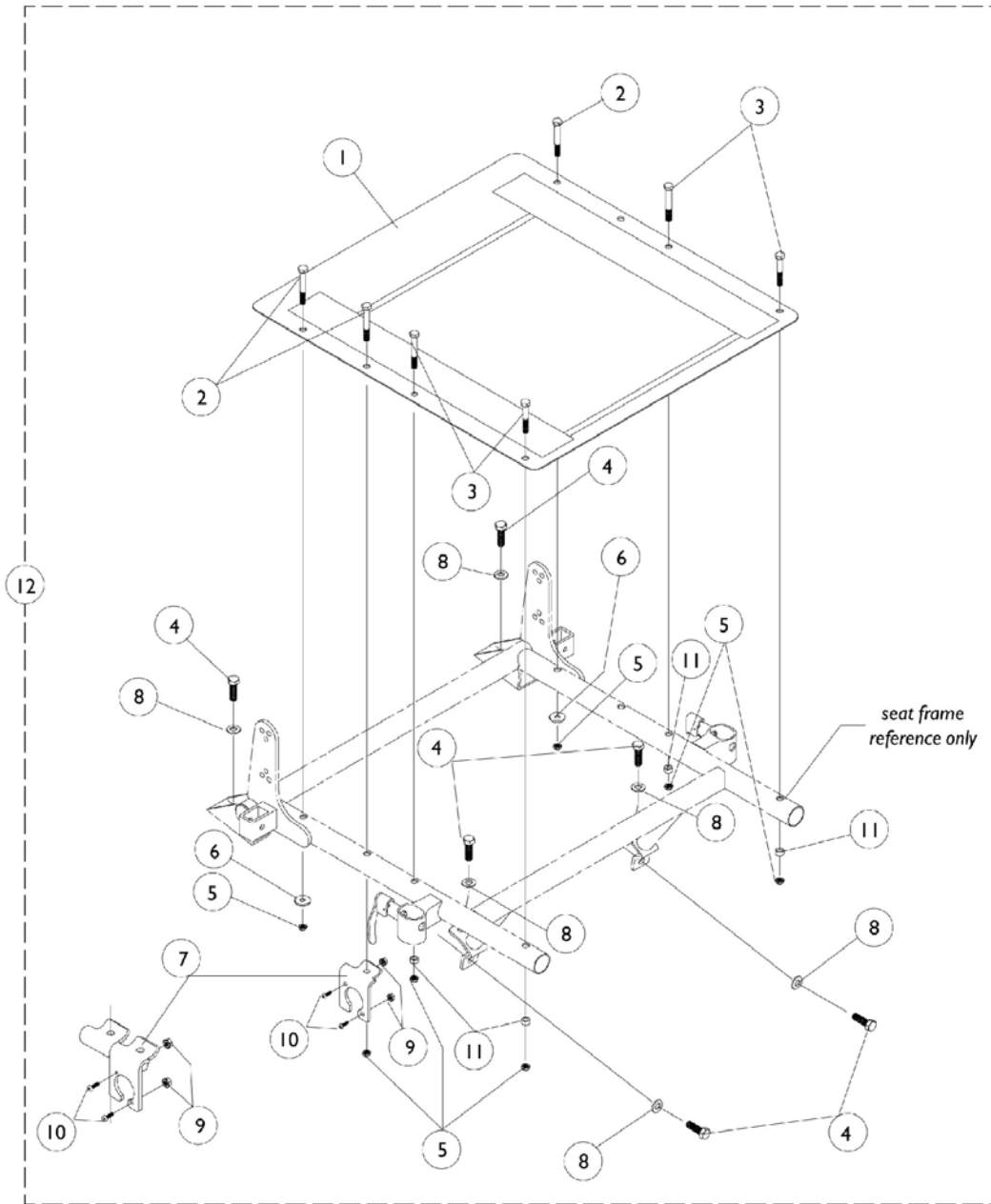
Width	16" Deep	17" Deep	18" Deep	19" Deep	20" Deep	21" Deep	22" Deep
12" W	1045195	N/A	N/A	N/A	N/A	N/A	N/A
13" W	1045196	N/A	N/A	N/A	N/A	N/A	N/A
14" W	1046010	1046020	1046030	1046040	1046050	1046060	1046070
15" W	1046011	1046021	1046031	1046041	1046051	1046061	1046071
16" W	1046012	1046022	1046032	1046042	1046052	1046062	1046072
17" W	1046013	1046023	1046033	1046043	1046053	1046063	1046073
18" W	1046014	1046024	1046034	1046044	1046054	1046064	1046074
19" W	1046015	1046025	1046035	1046045	1046055	1046065	1046075
20" W	1046016	1046026	1046036	1046046	1046056	1046066	1046076
21" W	1046017	1046027	1046037	1046047	1046057	1046067	1046077
22" W	1046018	1046028	1046038	1046048	1046058	1046068	1046078
23" W	1046019	1046029	1046039	1046049	1046059	1046069	1046079
24" W	1046080	1046081	1046082	1046083	1046084	1046085	1046086

NOTE: For chair depths 12, 13, 14, or 15" the 16" deep seat pan is used.

Seat Pan and Attaching Hardware (Before 4/15/97)

Item Number	Note	Part Number	Description	Quantity Per	
				Package	Assembly
1		See Chart	#1 Seat Pan and Attaching Hardware (Before 4/15/97)	1	1
2		1024793	Screw, Hex Head (1/4-20 x 1-3/4")	1	3
3		1030949	Screw, Hex Head (1/4-20 x 1-1/2")	1	3
3	A	1045267	Screw, Hex Head (1/4-20 x 3/4")	1	2
4		1039860	Screw, Hex Head Cap with Patch (5/16-18 x 3/4")	1	6
5		7930333	Locknut (1/4-20)	25	6
6		1026900	Washer (1/4 x 23/32 x 1/16")	1	2
7	C	1039369	Bracket, Charger Connector, Black	1	1
7	D	1053837	Bracket, Charger Connector, Black	1	1
8		1025704	Washer, Flat (5/16 x 5/8 x 1/16")	1	6
9		P0870X000	Nut, Hex Keps (#4-40)	1	2
10		7930318	Screw, Phillips Pan Head (#4-40 x 1/2")	25	2
11	B,C	1041860	Hardware, Seat Mounting	1	1
11	B,D	1046009	Hardware, Seat Mounting	1	1
11	B,D,E	1045268	Hardware, Seat Mounting	1	1
<p>NOTE: A - This screw is only used in the front hole on Junior seat frames with a 12" or 13" seat width. B - Includes items 2 thru 10. C - Before 2/20/95. D - After 2/19/95. E - Used on Junior 12 and 13" only.</p>					

Seat Pan and Attaching Hardware (After 4/14/97)



Seat Pan and Attaching Hardware (After 4/14/97)

Item # 1 - Seat Pan

Width	16" Deep	17" Deep	18" Deep	19" Deep	20" Deep	21" Deep	22" Deep
12" W	1066009	N/A	N/A	N/A	N/A	N/A	N/A
13" W	1066010	N/A	N/A	N/A	N/A	N/A	N/A
14" W	1066011	1066022	1066033	1066044	1066055	1066066	1066077
15" W	1066012	1066023	1066034	1066045	1066056	1066067	1066078
16" W	1066013	1066024	1066035	1066046	1066057	1066068	1066079
17" W	1066014	1066025	1066036	1066047	1066058	1066069	1066080
18" W	1066015	1066026	1066037	1066048	1066059	1066070	1066081
19" W	1066016	1066027	1066038	1066049	1066060	1066071	1066082
20" W	1066017	1066028	1066039	1066050	1066061	1066072	1066083
21" W	1066018	1066029	1066040	1066051	1066062	1066073	1066084
22" W	1066019	1066030	1066041	1066052	1066063	1066074	1066085
23" W	1066020	1066031	1066042	1066053	1066064	1066075	1066086
24" W	1066021	1066032	1066043	1066054	1066065	1066076	1066087

NOTE: For chair depths of 12, 13, 14, or 15" the 16" deep seat pan is used.

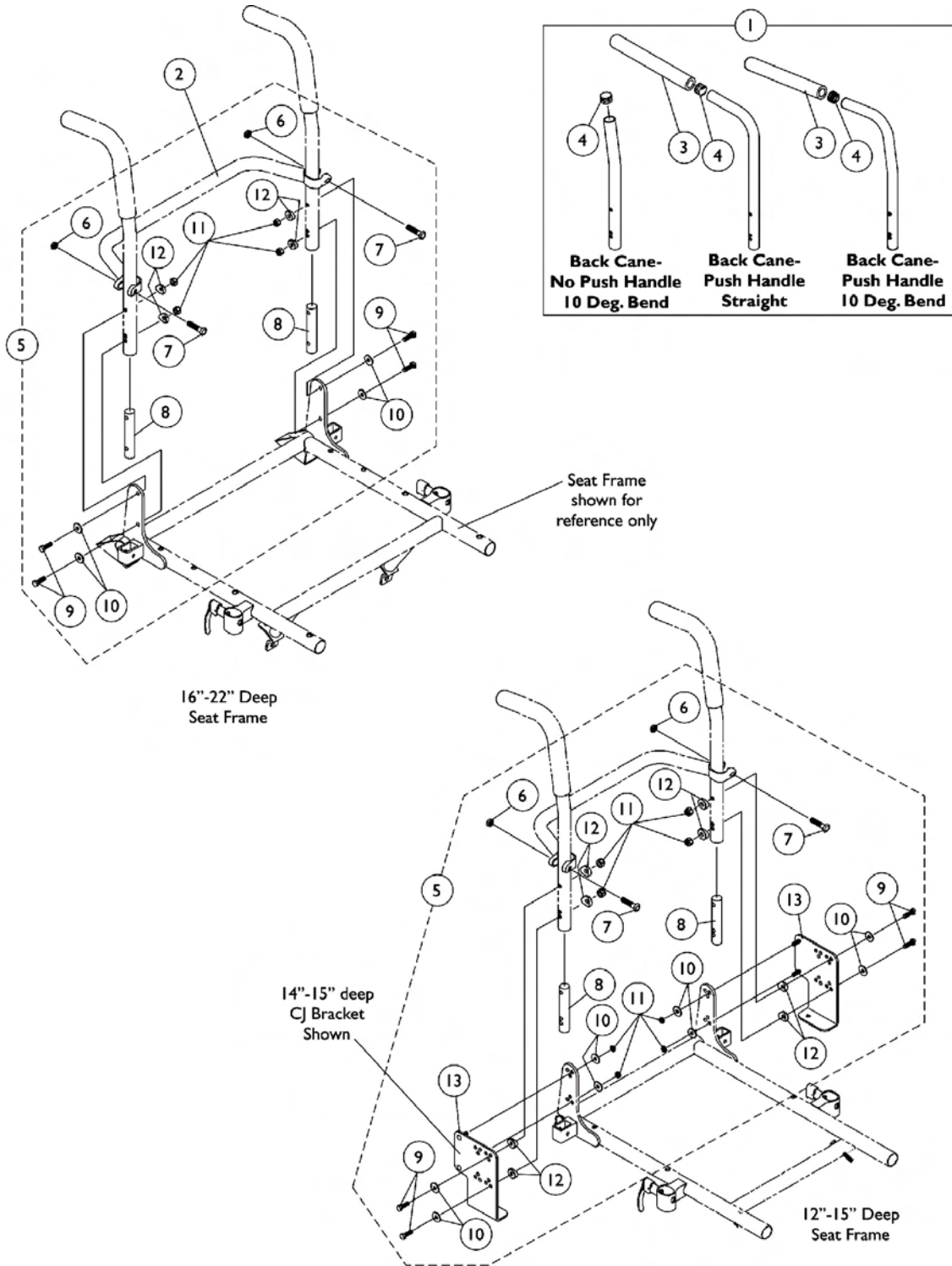
Seat Pan and Attaching Hardware (After 4/14/97)

Item Number	Note	Part Number	Description	Quantity Per	
				Package	Assembly
1		See Chart	# 1 Seat Pan (After 4/14/97)	1	1
2		1024793	Screw, Hex Head (1/4-20 x 1-3/4")	1	3
3		1030949	Screw, Hex Head (1/4-20 x 1-1/2")	1	4
4		1039860	Screw, Hex Head Cap with Patch (5/16-18 x 3/4")	1	6
5		7930333	Locknut (1/4-20)	25	6
6		1026900	Washer (1/4 x 23/32 x 1/16")	1	2
7		1053837	Bracket, Charger Connector, Black	1	1
7	A,A1	1073872	Bracket, Charger Connector, Black	1	1
8		1025704	Washer, Flat (5/16 x 5/8 x 1/16")	1	6
9		P0870X000	Nut, Hex Keps (#4-40)	1	2
10		7930318	Screw, Phillips Pan Head (#4-40 x 1/2")	25	2
11		1047449	Spacer (1/4 x 3/8 x 3/16")	1	4
12	B	1068439	Hardware, Seat Mounting	1	1
12	A,A1,B	1070567	Hardware, Seat Mounting	1	1

NOTE: A - When all four of the following parameters (14" - 15" wide x 18" deep, low seat-to-floor and group 24 batteries) are configured together on a chair, then part numbers noted with an (A) will be used.
A1 - All other configurations will use #1053837 or #1068439.
B - Includes items 2 thru 11.

Back Cane and Attaching Hardware

NOTE: Chairs manufactured with a seat width, seat depth or back height of 20" and greater including all heavy duty packages will be equipped with a spreader bar standard.



Back Cane and Attaching Hardware

NOTE: Chairs manufactured with a seat width, seat depth or back height of 20" and greater including all heavy duty packages will be equipped with a spreader bar standard.

Item Number	Note	Part Number	Description	Quantity Per	
				Package	Assembly
1		See Chart	#1 Back Cane Assemblies	1	2
2		See Chart	#2 Spreader Bar	1	1
3		1135506	Package, Foam Hand Grips (9" Long)	10	1
4		1130582	Package, Plug Buttons, Black (7/8")	10	1
5	A	1045193	Kit, Back Cane Attaching Hardware, For CJ Bracket 12-13" Deep Seat	2	1
6			Locknut (5/16-24)	1	2
7			Screw w/ Lug (5/16-24 x 1-3/8")	1	2
8			Insert, Non-Threaded Back Cane (For Back Heights 20" and Lower)	1	2
9			Screw, Hex Head (1/4-20 x 1-5/8")	1	4
10			Washer (1/4 x 23/32 x 1/16")	1	8
11			Locknut (1/4-20)	1	8
12			Spacer, Coved (1/4 x 11/16 x 1/2")	1	8
13			Bracket, Back Mounting, Black - Right	1	1
13			Bracket, Back Mounting, Black - Left	1	1
5	A	1045194	Kit, Back Cane Attaching Hardware, For CJ Bracket 14-15" Deep Seat	2	1
6			Locknut (5/16-24)	1	2
7			Screw w/ Lug (5/16-24 x 1-3/8")	1	2
8			Insert, Non-Threaded Back Cane (For Back Heights 20" and Lower)	1	2
9			Screw, Hex Head (1/4-20 x 1-5/8")	1	4
10			Washer (1/4 x 23/32 x 1/16")	1	8
11			Locknut (1/4-20)	1	8
12			Spacer, Coved (1/4 x 11/16 x 1/2")	1	8
13			Bracket, Back Mounting, Black - Right	1	1
13			Bracket, Back Mounting, Black - Left	1	1
5	B,D	1041867	Kit, Back Cane Attaching Hardware	2	1
6			Locknut (5/16-24)	1	2
7			Screw w/ Lug (5/16-24 x 1-3/8")	1	2
8			Insert, Non-Threaded Back Cane (For Back Heights 20" and Lower)	1	2
9			Screw, Hex Head (1/4-20 x 1-5/8")	1	4
10			Washer (1/4 x 23/32 x 1/16")	1	4
11			Locknut (1/4-20)	1	4
12			Spacer, Coved (1/4 x 11/16 x 1/2")	1	4
5	C	1052234	Kit, Back Cane Attaching Hardware	2	1
6			Locknut (5/16-24)	1	2
7			Screw w/ Lug (5/16-24 x 1-3/8")	1	2
8			Insert, Threaded Back Cane (For Back Heights 21" and Higher)	1	2
9			Screw, Hex Head Cap with Patch (1/4-20 x 1")	1	4
10			Washer (1/4 x 23/32 x 1/16")	1	4

Back Cane and Attaching Hardware

NOTE: Chairs manufactured with a seat width, seat depth or back height of 20" and greater including all heavy duty packages will be equipped with a spreader bar standard.

NOTE: A - Includes items 6-13
B - Includes items 6-12 and used for 12-20" high back canes
C - Includes items 6-10 and used for 21-24" high back canes
D - Prior to 7/9/04, new back cane attaching hardware must be ordered. The threaded insert was replaced with a non-threaded insert for 12-20" high back canes

Back Cane and Attaching Hardware

NOTE: Chairs manufactured with a seat width, seat depth or back height of 20" and greater including all heavy duty packages will be equipped with a spreader bar standard.

#1 Back Cane Assemblies

Back Height	Back Cane- No Push Handle 10 Deg. Bend	Back Cane- Push Handle Straight	Back Cane- Push Handle 10 Deg. Bend
12"	1045241	1045253	1049955
13"	1045242	1045254	1049956
14"	1045243	1045255	1049957
15"	1045244	1045256	1049958
16"	1048992	1048558	1045575
17"	1048993	1048559	1045576
18"	1048994	1048560	1045577
19"	1048995	1048561	1045578
20"	1048996	1048562	1045579
21"	N/A	N/A	1052227
22"	N/A	N/A	1052230
23"	N/A	N/A	1054521
24"	N/A	N/A	1054524

NOTE: Back Cane Assemblies include Foam Grips and Plug Buttons where shown

Back Cane and Attaching Hardware

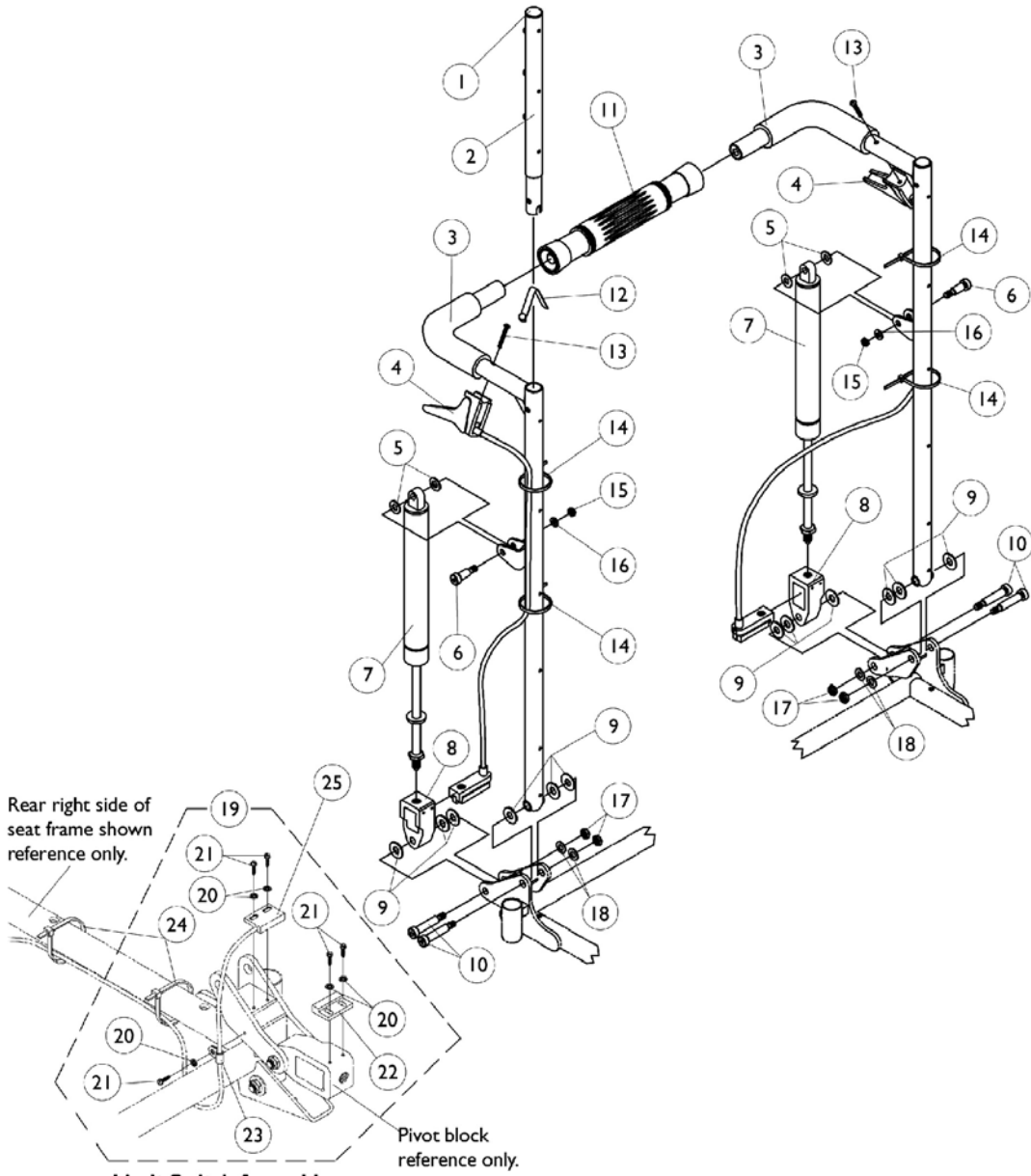
NOTE: Chairs manufactured with a seat width, seat depth or back height of 20" and greater including all heavy duty packages will be equipped with a spreader bar standard.

#2 Spreader Bar

Chair Width	Part Number
12"	1045197
13"	1045198
14"	1043871
15"	1043872
16"	1043873
17"	1043874
18"	1043875
19"	1043876
20"	1043877
21"	1043878
22"	1043879
23"	1043880
24"	1043881

Recliner Back Assembly

NOTE: When converting a non-recliner to a manual recliner, a recline wire harness must be ordered as well. See Battery Charger and Harness section.



Limit Switch Assembly
NOTE: Sensor actuator used with a recliner harness and sensor cable to serve as a drive lockout safety feature.

Recliner Back Assembly

NOTE: When converting a non-recliner to a manual recliner, a recline wire harness must be ordered as well. See Battery Charger and Harness section.

Item #3 - Back Cane with Grip

Height	14-15" Wide Right	14-15" Wide Left	16-17" Wide Right	16-17" Width Left	18-24" Wide Right	18-24" Wide Left
18" H	1053272	1053273	1052079	1052080	1052089	1052090
20" H	1053274	1053275	1052081	1052082	1052091	1052092
22" H	1053276	1053277	1052083	1052084	1052093	1052094
24" H	1053278	1053279	1052085	1052086	1052095	1052096
26" H	1053280	1053281	1052087	1052088	1052097	1052098

Recliner Back Assembly

NOTE: When converting a non-recliner to a manual recliner, a recline wire harness must be ordered as well. See Battery Charger and Harness section.

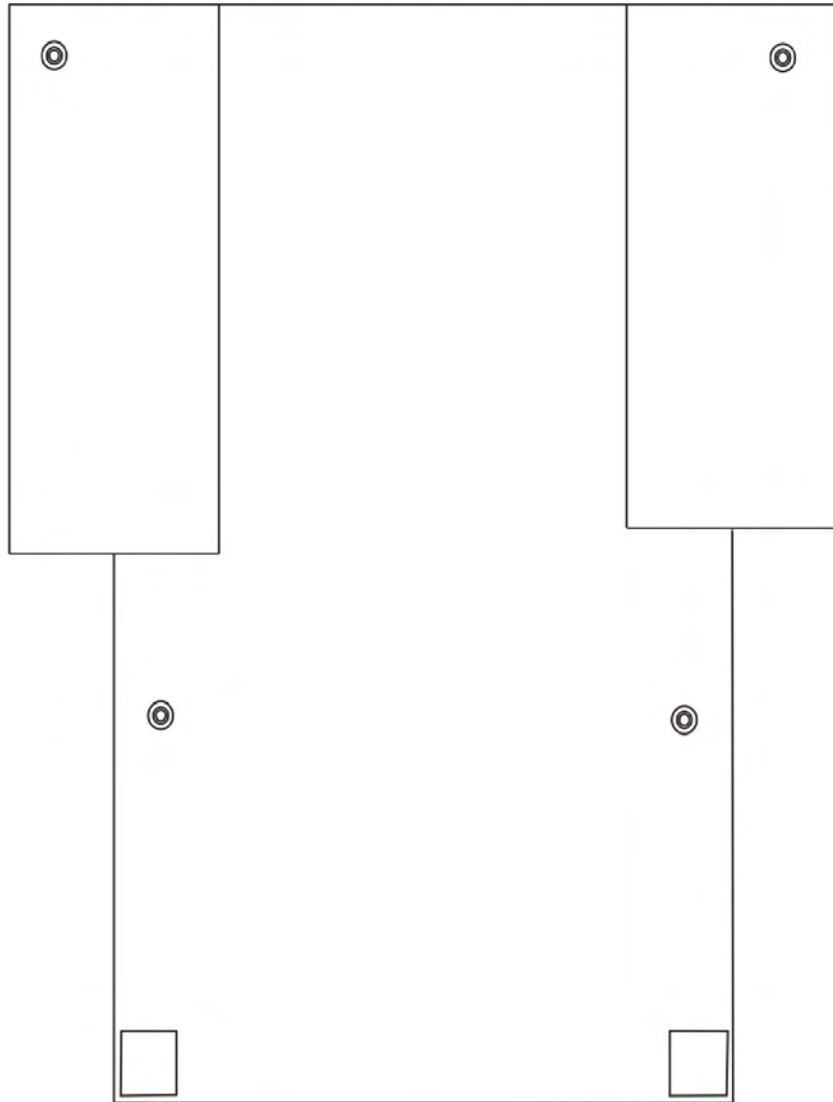
Item Number	Note	Part Number	Description	Quantity Per	
				Package	Assembly
1		1027095	Plug Button, Black (7/8")	1	2
2	D	1037481-NLA	Tube, Headrest Extension (Black) w/Snap Buttons	1	2
2	E	1052997	Tube, Headrest with Plug Button, without Snap Buttons - Right	1	2
2	E	1052998	Tube, Headrest with Plug Button, without Snap Buttons - Left	1	2
3		See Chart	#3 Back Cane with Grip	1	1
4	A,I	1050214	Cable with Trigger	1	2
4	A,J	1050215	Cable with Trigger	1	2
4	A,K	1050216	Cable with Trigger	1	2
5		1026032	Washer, Nylon (11/32 x 11/16 x 1/16")	1	4
6		1050153	Screw, Socket Head Shoulder (5/16 x 7/8")	1	2
7	G	1050154	Lock Cylinder, Recline	1	2
7	H	1050306	Lock Cylinder	1	2
8		1050136	Pivot Block	1	2
9		1012371	Washer, Nylon (3/8 x 7/8 x 1/16")	1	12
10		1031665	Screw, Socket Head Shoulder (3/8 x 1-1/2")	1	4
11	L	1050293	Bar, Spreader, Black (14-20")	1	1
11	C	1050294	Bar, Spreader, Black (21-24")	1	1
12		1024713	Spring, Torsion w/ Button	1	2
13		1025714	Screw, Phillips Pan Head (#10-32 x 1-1/8")	1	2
13	B	1091417	Screw, Phillips Pan Head (#10-24 x 1-1/4")	1	2
14		1021260	Cable Tie (5-5/8" Long)	1	6
15		1025736	Locknut (1/4-20)	1	2
16		1026907	Washer (1/4 x 1/2 x 1/16")	1	2
17		1026158	Locknut (5/16-18)	1	4
18		1025704	Washer, Flat (5/16 x 5/8 x 1/16")	1	4
19	F	1053178	Switch Assembly, Limit	1	1
20		1008525	Washer, Internal Tooth Lock (#4-40)	1	5
21		1025116	Screw, Slotted Hex Head (#4-3/8")	1	5
22		1024001	Sensor, Actuator Switch	1	1
23		1050310	Clamp, Cable	1	1
24		1021260	Cable Tie (5-5/8" Long)	1	2
25		1092913	Cable, Drive Lockout Sensor	1	1

Recliner Back Assembly

NOTE: When converting a non-recliner to a manual recliner, a recline wire harness must be ordered as well. See Battery Charger and Harness section.

NOTE: A - When ordering cable assembly #1050215 or #1050216 for chairs made before 8/4/99 order #1050214 for chairs made before 2/1/00, item 13 #1091417 must be ordered as well.
B - Lever fastener changed on 8/4/99 from a 10-32 threaded insert to a 10-24 nut for item 4 (#1050215 and #1050216) and 2/1/00 for #1050214.
C - 18-24" Wide.
D - Before 7/95.
E - After 6/95.
F - Includes Items 20-24. Sensor cable is not included, see item 25
G - Standard 250 lb. capacity.
H - Heavy Duty 300 lb. (400 lb. on Arrow).
I - 26" High Cane.
J - 22 & 24" High Cane.
K - 18 & 20" High Cane.
L - 14-17" Wide.

Back Upholstery - Nylon Non-Recliner



Back Upholstery - Nylon Non-Recliner Single Liners

Width	12-13" Height	14-15" Height	16-17" Height	18-19" Height	20" Height	21-22" Height	23-24" Height
12" W	1045221	1045222	1045257	1045258	N/A	N/A	N/A
13" W	1045223	1045224	1045259	1045260	N/A	N/A	N/A
14" W	1049939	1049942	1045173	1045205	1068945	1045157	1054527
15" W	1049940	1049943	1045174	1045206	1068946	1045158	1054528
16" W	1049941	1045175	8881045175	1045207	1068947	1045159	1054529
17" W	N/A	1049945	1045176	1045208	1068948	1045160	1054530
18" W	N/A	1049946	1045177	1045209	1068949	1045161	1054531

Dual Liners

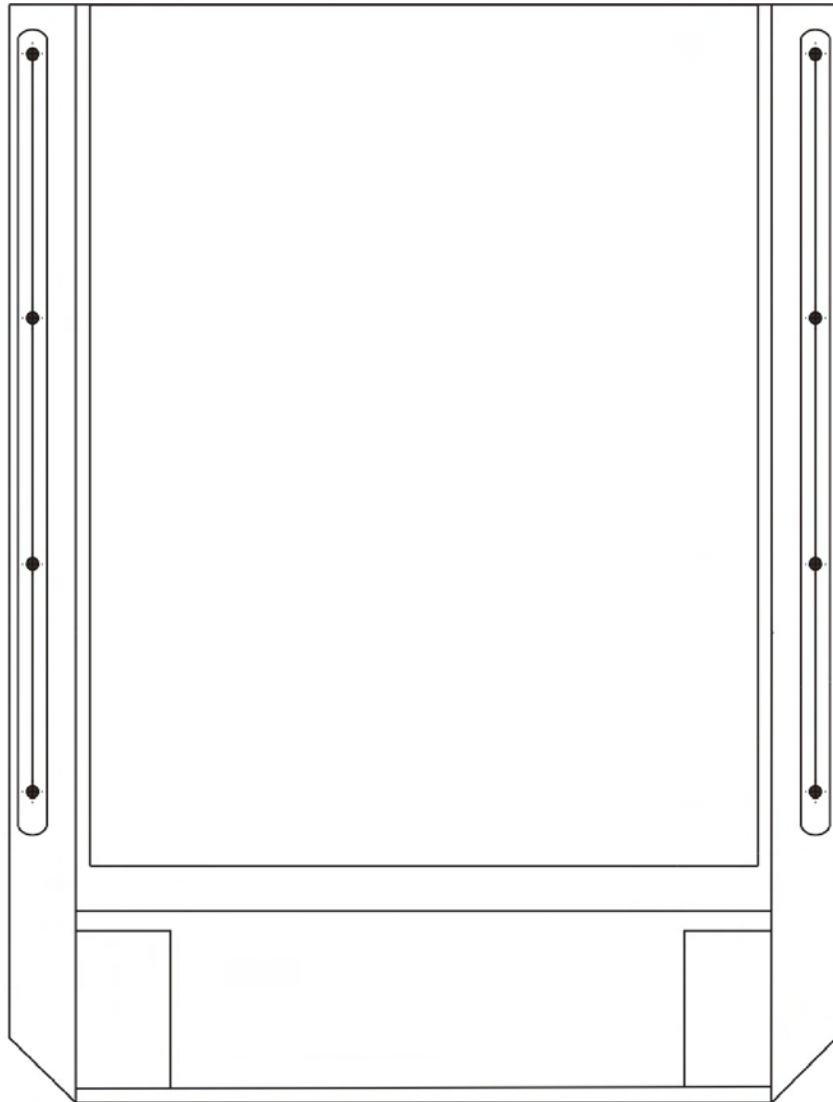
Width	16-17" High	18-19" High	20" High	21-22" High	23-24" High
14" W	1045178	1045210	1068950	1045162	1054532
15" W	1045179	1045211	1068951	1045163	1054533
16" W	1045180	1045212	1068952	1045164	1054534
17" W	1045181	1045213	1068953	1045165	1054535
18" W	1045182	1045214	1068954	1045166	1054536
19" W	1045183	1045215	1068955	1045167	1054537
20" W	1045184	1045216	1068956	1045168	1054538
21" W	1045185	1045217	1068957	1045169	1054539
22" W	1045186	1045218	1068958	1045170	1054540
23" W	1045187	1045219	1068959	1045171	1054541
24" W	1045188	1045220	1068960	1045172	1054542

NOTE: Dual liner back upholstery is used with chairs that have a seat depth more than 17" or a back higher than 18" in height.

**Back Upholstery - Nylon
Non-Recliner
Back Upholstery Hardware**

Back Upholstery Hardware
1026298
Includes: (2) Screws w/washer (#10 x 7/8") (2) Cable Ties

Back Upholstery - Nylon Recliner



Back Upholstery - Nylon Recliner Single Liners

Width	18" High	20" High	22" High	24" High	26" High
14" W	1050312	1050317	1050322	1050327	1050332
15" W	1050313	1050318	1050323	1050328	1050333
16" W	1050314	1050319	1050324	1050329	1050334
17" W	1050315	1050320	1050325	1050330	1050335
18" W	1050316	1050321	1050326	1050331	1050336

Dual Liners

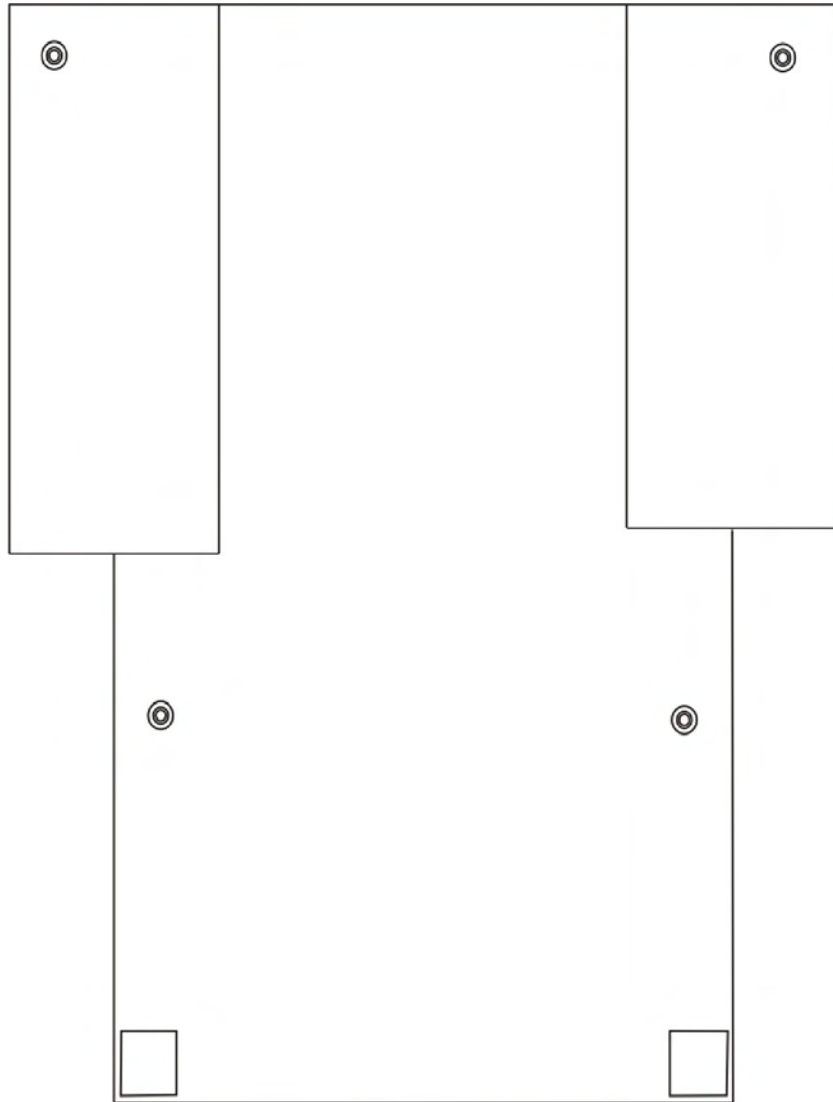
Width	18" High	20" High	22" High	24" High	26" High
14" W	1050337	1050348	1050359	1050370	1050381
15" W	1050338	1050349	1050360	1050371	1050382
16" W	1050339	1050350	1050361	1050372	1050383
17" W	1050340	1050351	1050362	1050373	1050384
18" W	1050341	1050352	1050363	1050374	1050385
19" W	1050342	1050353	1050364	1050375	1050386
20" W	1050343	1050354	1050365	1050376	1050387
21" W	1050344	1050355	1050366	1050377	1050388
22" W	1050345	1050356	1050367	1050378	1050389
23" W	1050346	1050357	1050368	1050379	1050390
24" W	1050347	1050358	1050369	1050380	1050391

NOTE: Dual liner back upholstery is used with chairs that have a seat depth more than 17" or a back higher than 18" in height.

**Back Upholstery - Nylon
Recliner
Back Upholstery Hardware**

1027059
Includes: (2) Screws w/washer (#10 x 7/8") (2) Cable Ties

Back Upholstery - Vinyl Non-Recliner



Back Upholstery - Vinyl Non-Recliner Single Liners

Width	12-13" High	14-15" High	16-17" High	18-19" High	20" High	21-22" High	23-24" High
12" W	8881045225	8881045226	8881045261	8881045262	N/A	N/A	N/A
13" W	8881045227	8881045228	8881045263	8881045264	N/A	N/A	N/A
14" W	8881049947	8881049950	8881045076	8881045060	8881068961	8881045125	8881054543
15" W	8881049948	8881049951	8881045077	8881045061	8881068962	8881045126	8881054544
16" W	8881049949	8881049952	8881045078	8881045062	8881068963	8881045127	8881054545
17" W	N/A	8881049953	8881045079	8881045063	8881068964	8881045128	8881054546
18" W	N/A	8881049954	8881045080	8881045064	8881068965	8881045129	8881054547

NOTE: Specify upholstery color when ordering. See page titled, "Frame Finishes, Touch-Up Paints and Upholstery Options."

Dual Liners

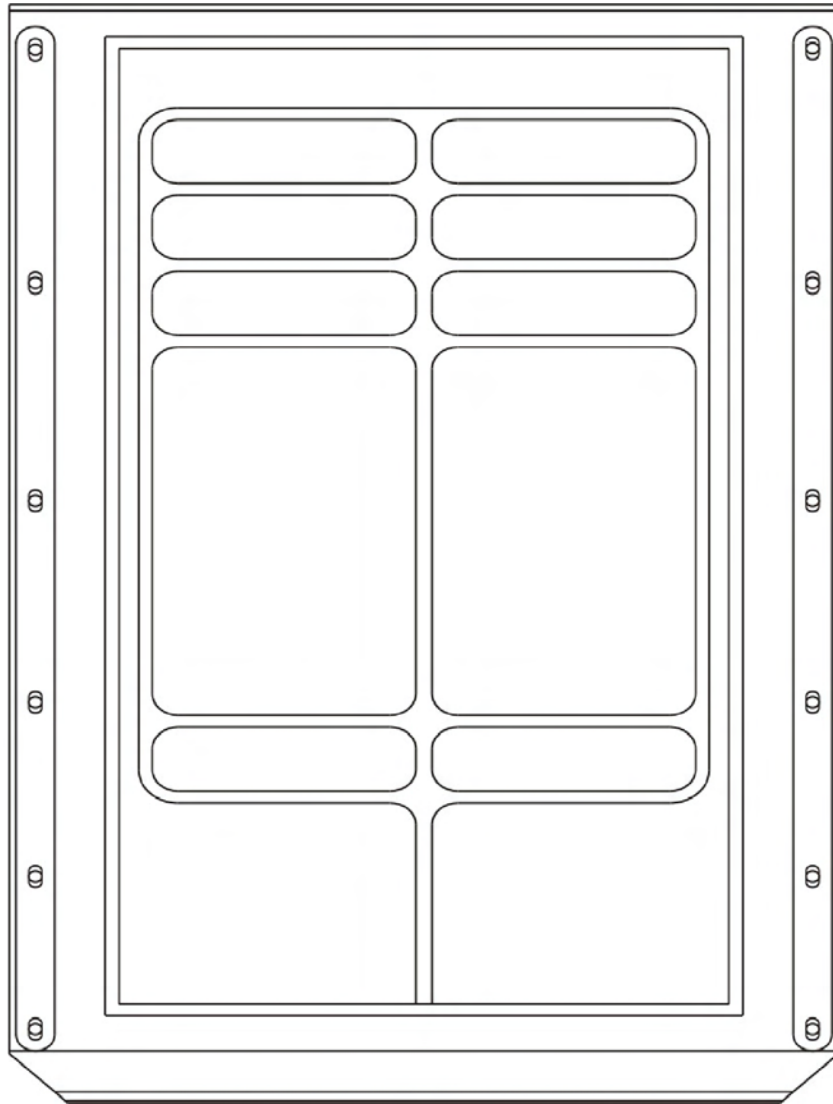
Width	16-17" High	18-19" High	20" High	21-22" High	23-24" High
14" W	8881045081	8881045065	8881068966	8881045130	8881054548
15" W	8881045082	8881068966	8881068967	8881045131	8881054549
16" W	8881045083	8881045067	8881068968	8881045132	8881054550
17" W	8881045084	8881045068	8881068969	8881045133	8881054551
18" W	8881045085	8881045069	8881068970	8881045134	8881054552
19" W	8881045086	8881045070	8881068971	8881045135	8881054553
20" W	8881045087	8881045071	8881068972	8881045136	8881054554
21" W	8881045088	8881045072	8881068973	8881045137	8881054555
22" W	8881045089	8881045073	8881068974	8881045138	8881054556
23" W	8881045090	8881045074	8881068975	8881045139	8881054557
24" W	8881045091	8881045075	8881068976	8881045140	8881054558

NOTE: Dual liner back upholstery is used with chairs that have a seat depth more than 17" or a back higher than 18" in height.
NOTE: Specify upholstery color when ordering. See page titled, "Frame Finishes, Touch-Up Paints and Upholstery Options."

**Back Upholstery - Vinyl
Non-Recliner
Back Upholstery Hardware**

1026298
Includes: (2) Screws w/washer (#10 x 7/8) (2) Cable Ties

Back Upholstery - Vinyl Recliner



Single Liners

Width	18" High	20" High	22" High	24" High	26" High
14" W	8881050561	8881050566	8881050571	8881050576	8881050581
15" W	8881050562	8881050567	8881050572	8881050577	8881050582
16" W	8881050563	8881050568	8881050573	8881050578	8881050583
17" W	8881050564	8881050569	8881050574	8881050579	8881050584
18" W	8881050565	8881050570	8881050575	8881050580	8881050585

NOTE: Specify upholstery color when ordering. See page titled, "Frame Finishes, Touch-Up Paints and Upholstery Options."

Back Upholstery - Vinyl Recliner Dual Liners

Width	18" High	20" High	22" High	24" High	26" High
14" W	8881050586	8881050597	8881050608	8881050619	8881050630
15" W	8881050587	8881050598	8881050609	8881050620	8881050631
16" W	8881050588	8881050599	8881050610	8881050621	8881050632
17" W	8881050589	8881050600	8881050611	8881050622	8881050633
18" W	8881050590	8881050601	8881050612	8881050623	8881050634
19" W	8881050591	8881050602	8881050613	8881050624	8881050635
20" W	8881050592	8881050603	8881050614	8881050625	8881050636
21" W	8881050593	8881050604	8881050615	8881050626	8881050637
22" W	8881050594	8881050605	8881050616	8881050627	8881050638
23" W	8881050595	8881050606	8881050617	8881050628	8881050639
24" W	8881050596	8881050607	8881050618	8881050629	8881050640

NOTE: Dual liner back upholstery is used with chairs that have a seat depth more than 17" or a back higher than 18" in height.
NOTE: Specify upholstery color when ordering. See page titled, "Frame Finishes, Touch-Up Paints and Upholstery Options."

Back Upholstery Hardware

1027059
Includes: (2) Screws w/Washer (#10 x 7/8") (2) Cable Ties

Headrest Upholstery and Pillows

Headrest - Nylon & Vinyl

Chair Width	Nylon Headrest	Vinyl Headrest
14"	1054627	8881054630
15"	1055280	8881055288
16"	1054628	8881054631
17"	1055281	8881055289
18"	1054629	8881054632
19"	1055282	8881055290
20"	1055283	8881055291
21"	1055284	8881055292
22"	1055285	8881055293
23"	1055286	8881055294
24"	1055287	8881055295

NOTE: Specify upholstery color when ordering. See page titled, "Frame Finishes, Touch-Up Paints and Upholstery Options."

Headrest Upholstery Attaching Hardware

1030441
Includes: 6 ea. Screw w/ Washer (10 x 7/8")

Headrest Upholstery and Pillows

Headrest Pillows - Vinyl (Before 7/95)

14-15" Wide	16-18" Wide	19-20" Wide	21-24" Wide
88804644X002	88804644X008	88804644X009	88804644X010

NOTE: Specify upholstery color when ordering. See page titled, "Frame Finishes, Touch-Up Paints and Upholstery Options."

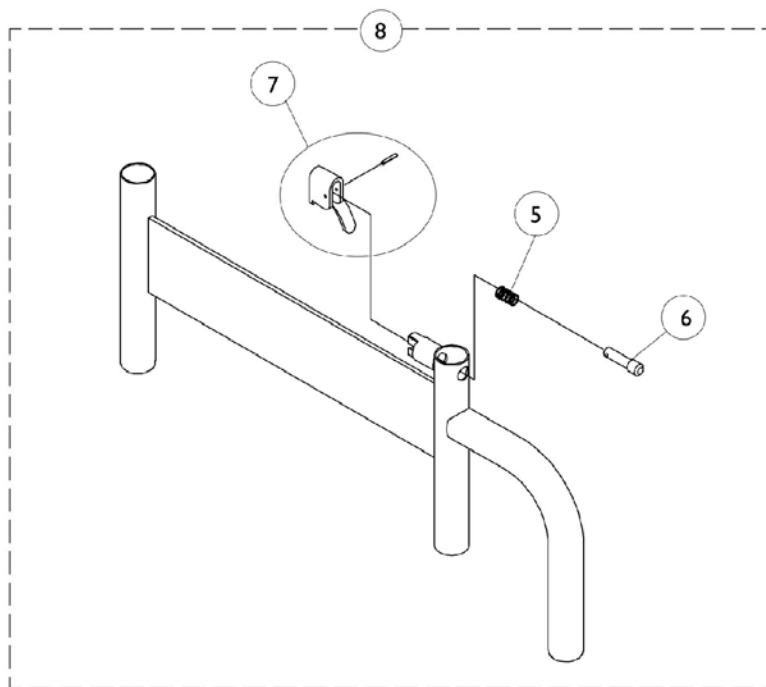
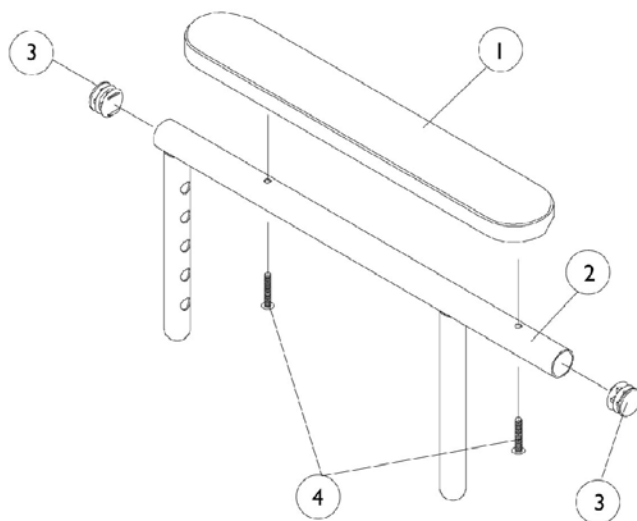
Headrest Pillows Vinyl and Nylon (After 6/95)

Chair Width	Vinyl	Nylon
14"	8881054617	1054894
15-18"	8881054619	1054896
19-22"	8881054623	1054598
23-24"	8881055277	1055274

NOTE: Specify upholstery color when ordering. See page titled, "Frame Finishes, Touch-Up Paints and Upholstery Options."

Adjustable Height Arms Junior

(Before 4/15/97)



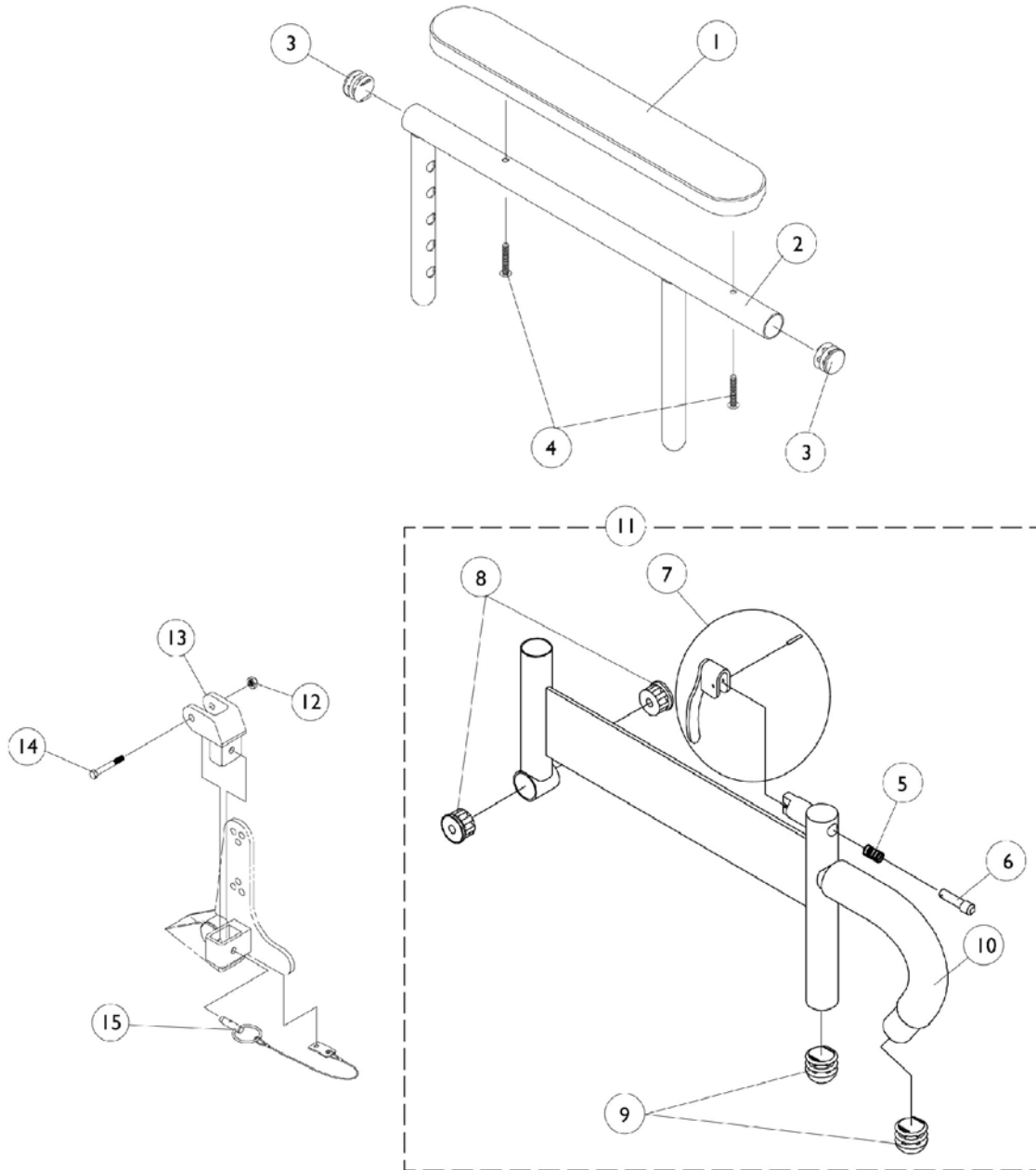
Adjustable Height Arms Junior

(Before 4/15/97)

Item Number	Note	Part Number	Description	Quantity Per	
				Package	Assembly
1	A	8881015932	Arm Pad, Vinyl, Full Length (14" L x 2" W) - Right	1	1
1	A	8881015933	Arm Pad, Vinyl, Full Length (14" L x 2" W) - Left	1	1
1	A	8881053577	Arm Pads, Vinyl, Full Length with Screws (14" L x 2" W)	2	1
1	A	8881011811	Arm Pad, Vinyl, Desk Length (9" L x 2" W)	1	1
1	A	8881053578	Arm Pads, Vinyl, Desk Length with Screws (9" L x 2" W)	2	1
2		1041522	Arm Tube, Upper with Plug Buttons (Black) - Full Length	1	1
2		1070859	Arm Tube, Upper with Plug Buttons (Black) - Desk Length	1	1
3		1027095	Plug Button, Black (7/8")	1	2
4		1055949	Screws, Phillips Pan Head (#10-32 x 1-1/8")	2	1
5		47471X074	Spring, Arm Lock	1	1
6		1028594	Pin, Arm Lock	1	1
7		1090768	Kit, Lock Handle w/Rivets (both LT & RT side)	2	1
8		1045153	Arm Base, Jr. Adjustable Height, Right	1	1
8		1045154	Arm Base, Jr. Adjustable Height, Left	1	1
	B	1045203	Decal, Junior	1	1

NOTE: A - Specify upholstery color when ordering. See page titled, "Frame Finishes, Touch-Up Paints and Upholstery Options."
B - Not Shown.

Adjustable Height Arms Junior (After 4/14/97)

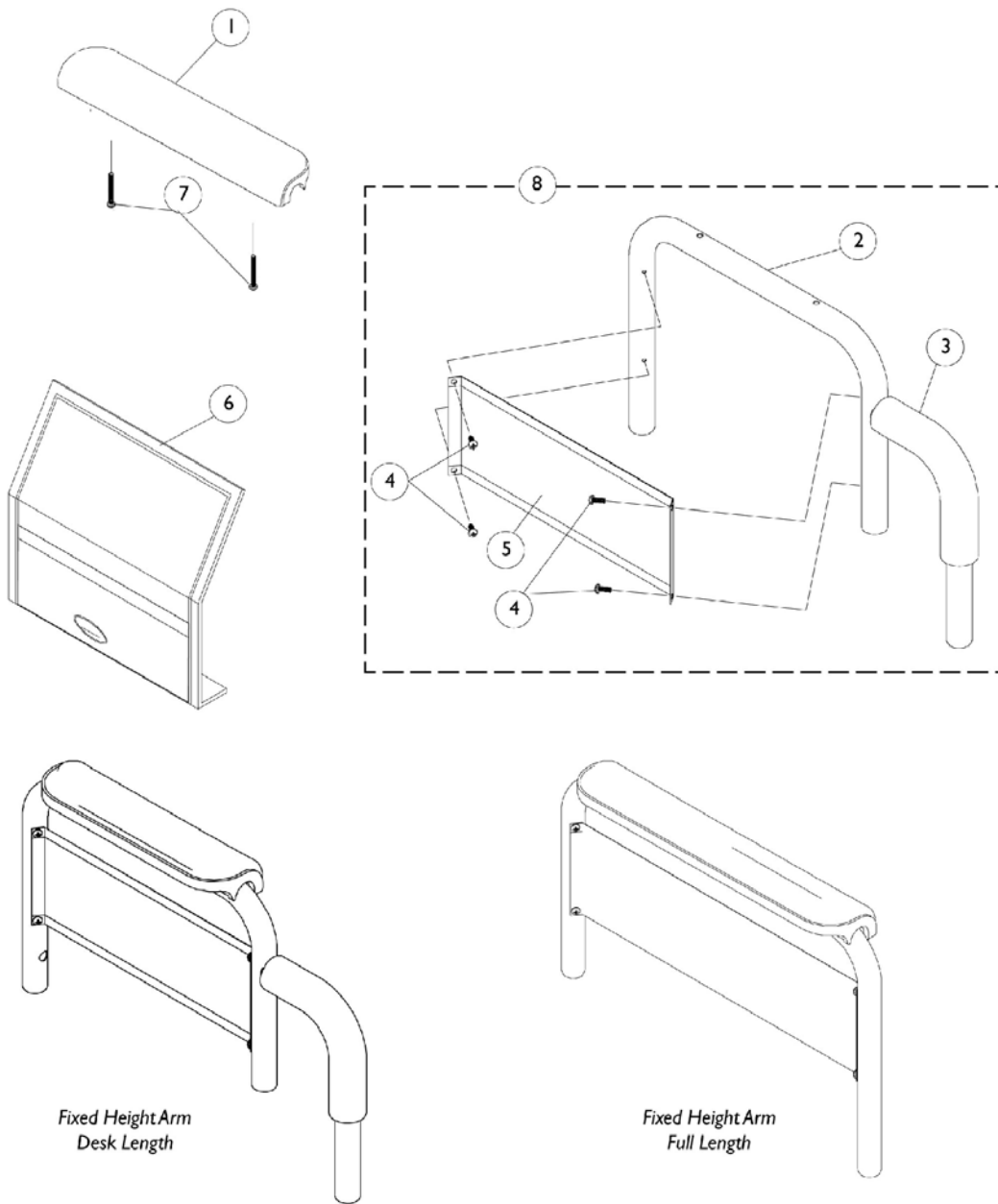


Adjustable Height Arms Junior (After 4/14/97)

Item Number	Note	Part Number	Description	Quantity Per	
				Package	Assembly
1	A	8881015932	Arm Pad, Vinyl, Full Length (14" L x 2" W) - Right	1	1
1	A	8881015933	Arm Pad, Vinyl, Full Length (14" L x 2" W) - Left	1	1
1	A,C	8881053577	Arm Pads, Vinyl, Full Length with Screws (14" L x 2" W)	2	1
1	A	8881011811	Arm Pad, Vinyl, Desk Length (9" L x 2" W)	1	1
1	A,C	8881053578	Arm Pads, Vinyl, Desk Length with Screws (9" L x 2" W)	2	1
2		1071263	Upper Arm Assembly, Adjustable Height with Plug Buttons - Full Length	1	1
2		1071259	Upper Arm Assembly, Adjustable Height with Plug Buttons - Desk Length	1	1
3		1027095	Plug Button, Black (7/8")	1	2
4		1055949	Screws, Phillips Pan Head (#10-32 x 1-1/8")	2	1
5		47471X074	Spring, Arm Lock	1	1
6		1028594	Pin, Arm Lock	1	1
7		1090768	Kit, Lock Handle w/Rivets (both LT & RT side)	2	1
8		1065936	Plug, Pivot	1	2
9		1067734	Plug Button, Black (5/8")	1	2
10		1016298	Grip, Push Handle	1	1
11		1068585	Arm Base Assembly, Adjustable Height - Right (Black)	1	1
11		1068586	Arm Base Assembly, Adjustable Height - Left (Black)	1	1
12		7930323	Package, Locknut (1/4-20)	25	1
13		1068025	Clevis, Pivot	1	1
14		1030949	Screw, Hex Head (1/4-20 x 1-1/2")	1	1
15		1068039	Pin, Pull	1	1
	B	1045203	Decal, Junior	1	1

NOTE: A - Specify upholstery color when ordering. See page titled, "Frame Finishes, Touch-Up Paints and Upholstery Options."
 B - Not Shown.
 C - As of 1/3/02 upholstery waterfall arm pads were replaced with black urethane waterfall armpads. Order in pairs with screws for chairs serviced by 1/3/02.

Fixed Height Arms (Before 4/15/97)



Fixed Height Arms (Before 4/15/97)

Item Number	Note	Part Number	Description	Quantity Per	
				Package	Assembly
1	A	1117328	Arm Pad, Full Length, Urethane Waterfall with Screws, Black (13" L x 2-5/8" W)	1	1
1		1110818	Arm Pads, Full Length, Urethane Waterfall with Screws, Black (13" L x 2-5/8" W) (Pair)	2	1
1	A	1117327	Arm Pad, Desk Length, Urethane Waterfall with Screws, Black (9" L x 2-5/8" W)	1	1
1		1110817	Arm Pads, Desk Length, Urethane Waterfall with Screws, Black (9" L x 2-5/8" W) (Pair)	2	1
2	D	1041891	Tube, Arm Desk Length, Right	1	1
2	D	1041895	Tube, Arm Desk Length, Left	1	1
2	C	1043847	Tube, Arm Desk Length, Right	1	1
2	C	1043851	Tube, Arm Desk Length, Left	1	1
2	D	1044513	Tube, Arm Full Length Standard, Right	1	1
2	D	1044514	Tube, Arm Full Length Standard, Left	1	1
2	C	1043999	Tube, Arm Full Length Long, Right	1	1
2	C	1043988	Tube, Arm Full Length Long, Left	1	1
3		1032245	Grip, Foam Hand (6-7/8" Long)	1	1
4		1025729	Screw, Self Tapping Pan Head (#8-32 x 3/8")	1	4
5		1035472	Clothing Guard, Desk Length	1	1
5	D	1044572	Clothing Guard, Full Length 16-19" Deep	1	1
5	C	1044005	Clothing Guard, Full Length 20" and Deeper	1	1
6	D	1035065	Cover, Clothing Guard with Pocket - For Fixed Height Desk Length & Adjustable Height Full/Desk Length	1	1
6	C	1044588	Cover, Clothing Guard with Pocket For Fixed Height Full Length - 20" and Deeper	1	1
7		1055949	Screws, Phillips Pan Head (#10-32 x 1-1/8")	2	1
7	B	1094270	Screw, Phillips Pan Head (#10-32 x 1-1/4") (Pair)	2	1
8		See Chart	#8 Arms Less Pad	1	1

NOTE: A - As of 1/13/02 upholstered waterfall armpads were replaced with black urethane waterfall armpads. Order in pairs with screws for chairs serviced before 1/3/02.
 B - For Black Urethane Waterfall Armpads Only.
 C - 20-22" Deep Chair.
 D - 16-19" Deep Chair.

Item #8 Arms Less Pad

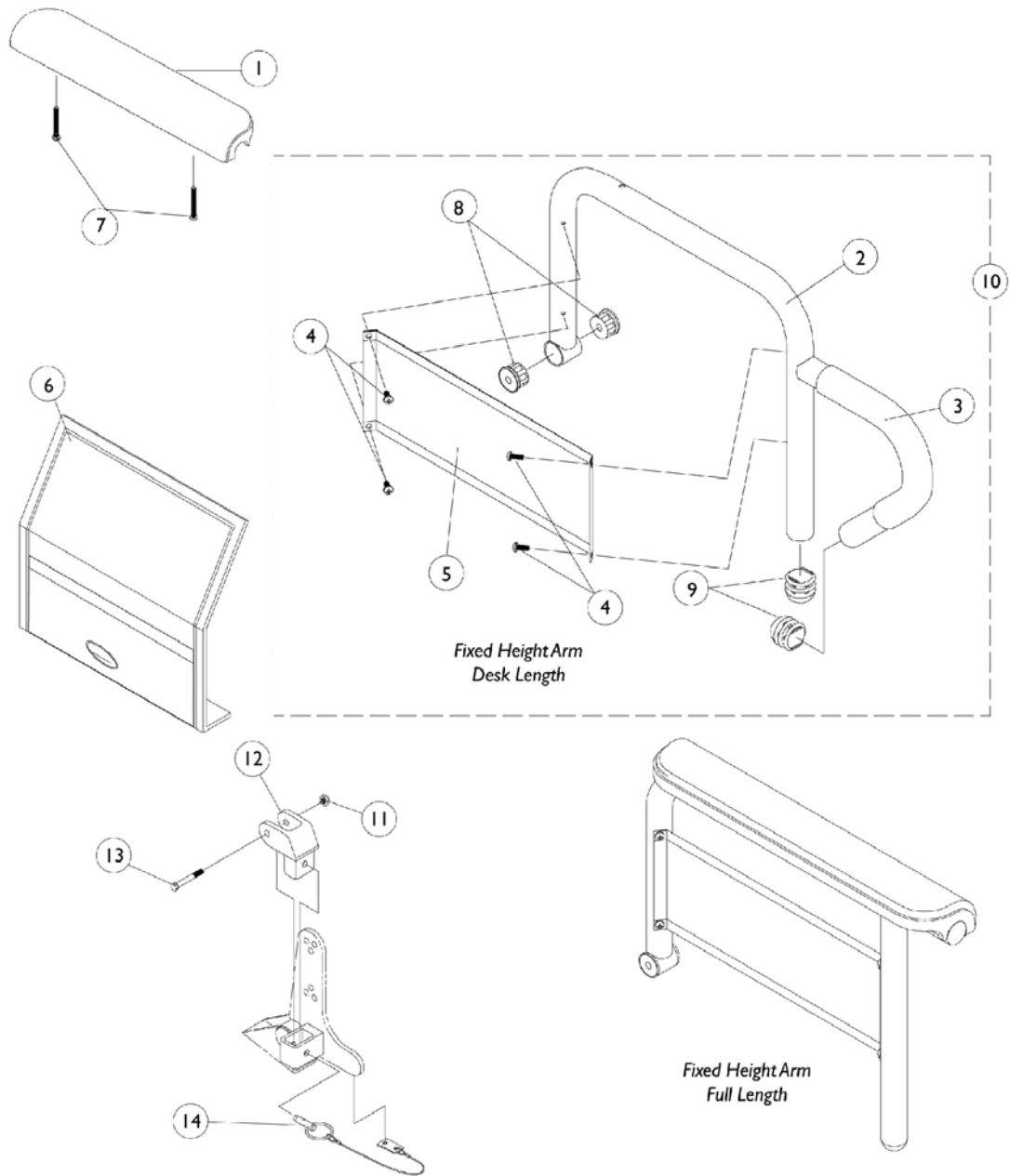
Seat Frame Depth	Arm Style	Right	Left
16 - 19"	Desk	1041892	1041896
16 - 19"	Full	1044573	1044574
20" and Deeper	Desk Long	1043848	1043852

Fixed Height Arms (Before 4/15/97)

Item #8 Arms Less Pad

Seat Frame Depth	Arm Style	Right	Left
20" and Deeper	Full Long	1044576	1044577

Fixed Height Arms (After 4/14/97)



Fixed Height Arms (After 4/14/97)

Item Number	Note	Part Number	Description	Quantity Per	
				Package	Assembly
1	A	1117328	Arm Pad, Full Length, Urethane Waterfall with Screws, Black (13" L x 2-5/8" W)	1	1
1		1110818	Arm Pads, Full Length, Urethane Waterfall with Screws, Black (13" L x 2-5/8" W) (Pair)	2	1
1	A	1117327	Arm Pad, Desk Length, Urethane Waterfall with Screws, Black (9" L x 2-5/8" W)	1	1
1		1110817	Arm Pads, Desk Length, Urethane Waterfall with Screws, Black (9" L x 2-5/8" W) (Pair)	2	1
2		1068564	Arm Tube, Desk Length 16-19" Deep - Right (Black)	1	1
2		1068565	Arm Tube, Desk Length 16-19" Deep - Left (Black)	1	1
2		1068414	Arm Tube, Desk Length Long 20" and Deeper - Right (Black)	1	1
2		1068415	Arm Tube, Desk Length Long 20" and Deeper - Left (Black)	1	1
2		1068490	Arm Tube, Full Length Standard 16-19" Deep - Right (Black)	1	1
2		1068491	Arm Tube, Full Length Standard 16-19" Deep - Left (Black)	1	1
2		1068473	Arm Tube, Full Length Long 20" and Deeper - Right (Black)	1	1
2		1068474	Arm Tube, Full Length Long 20" and Deeper - Left (Black)	1	1
3		1032244	Grip, Foam Hand (9" Long)	1	1
4		1025729	Screw, Self Tapping Pan Head (#8-32 x 3/8")	1	4
5		1035472	Clothing Guard, Desk Length	1	1
5		1044572	Clothing Guard, Full Length 16-19" Deep	1	1
5		1044005	Clothing Guard, Full Length 20" and Deeper	1	1
6		1035065	Cover, Clothing Guard with Pocket - For Fixed Height Desk Length & Adjustable Height Full/Desk Length	1	1
6		1044588	Cover, Clothing Guard with Pocket For Fixed Height Full Length - 20" and Deeper	1	1
7		1055949	Screws, Phillips Pan Head (#10-32 x 1-1/8")	2	1
7	B	1094270	Screw, Phillips Pan Head (#10-32 x 1-1/4") (Pair)	2	1
8		1065936	Plug, Pivot	1	2
9		1067734	Plug Button, Black (5/8")	1	2
10		See Chart	#10 Arms, Fixed Height (After 4/14/97) - #10 Arms Less Pad	1	1
11		7930323	Package, Locknut (1/4-20)	25	1
12		1068025	Clevis, Pivot	1	1
13		1030949	Screw, Hex Head (1/4-20 x 1-1/2")	1	1

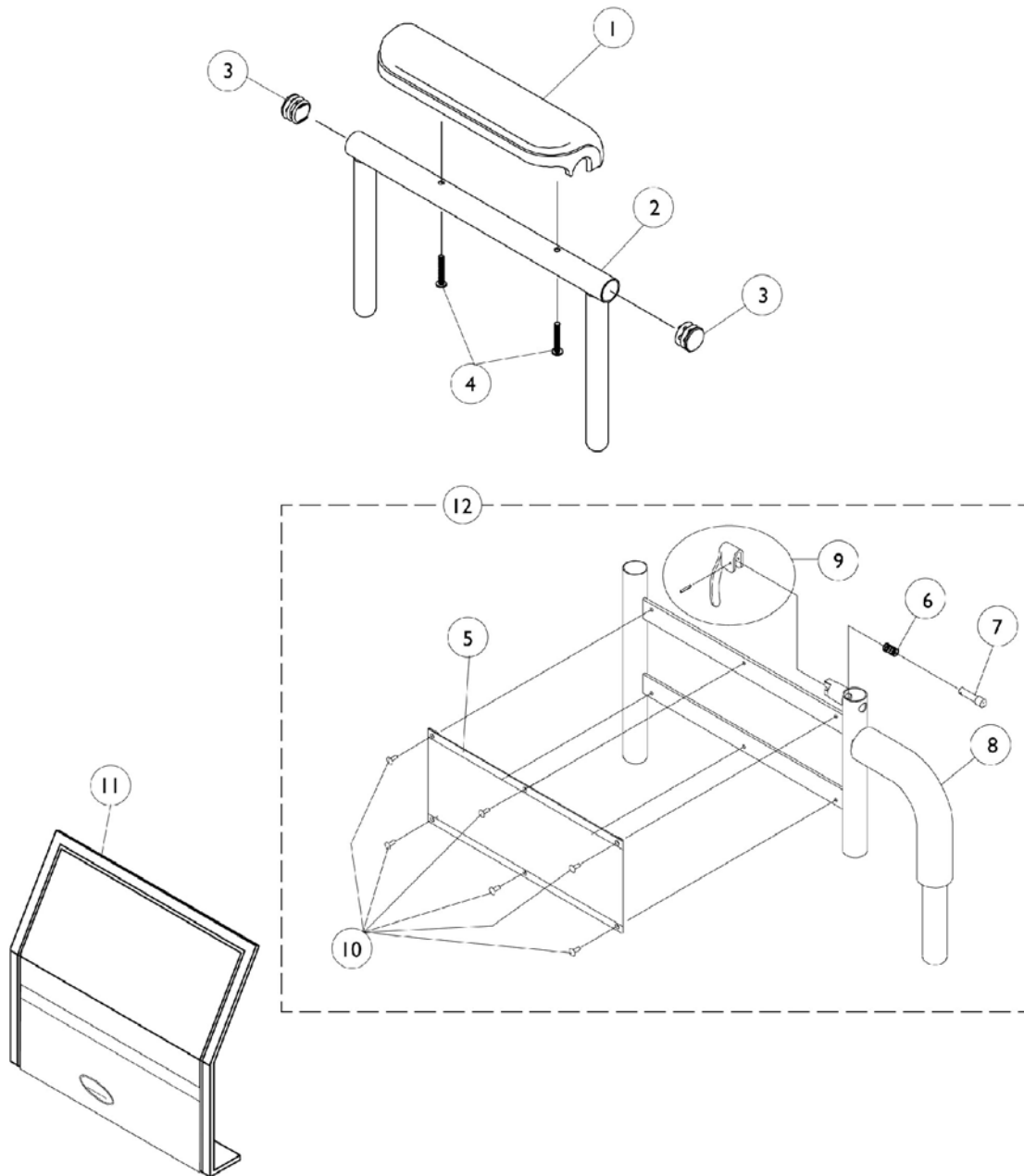
Fixed Height Arms (After 4/14/97)

Item Number	Note	Part Number	Description	Quantity Per	
				Package	Assembly
14		1068039	Pin, Pull	1	1
NOTE: A - As of 1/3/02 upholstered waterfall armpads were replaced with black urethane waterfall armpads. Order in pairs with screws for chairs serviced before 1/3/02. B - For black urethane waterfall arm pads only.					

#10 Arms Less Pad

Seat Frames	Arm Style	Right	Left
16 - 19"	Desk	1068566	1068567
16 - 19"	Full	1068559	1068560
20" and Deeper	Desk Long	1068540	1068541
20" and Deeper	Full Long	1068528	1068529

Adjustable Height Arms (Before 4/15/97)

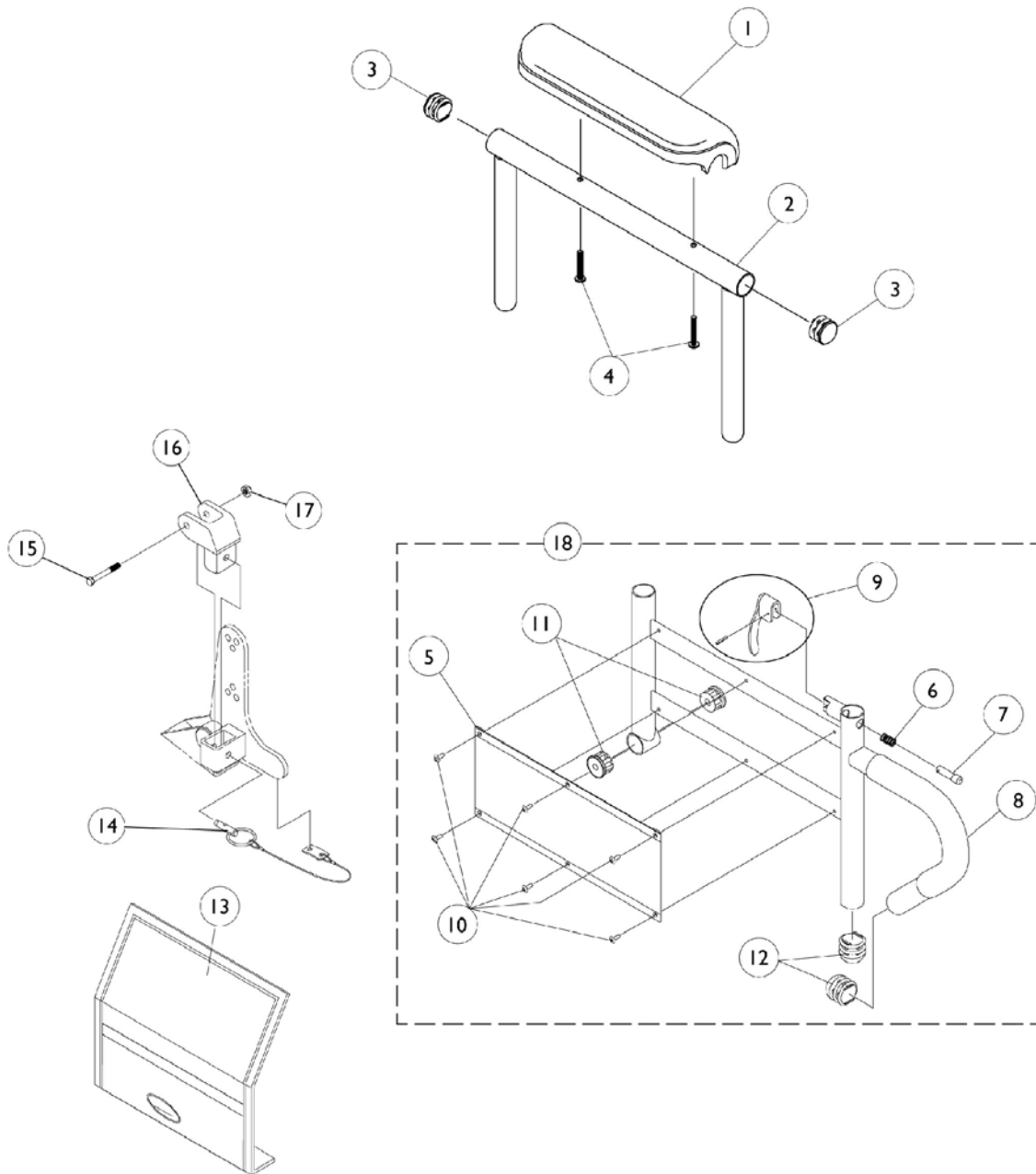


Adjustable Height Arms (Before 4/15/97)

Item Number	Note	Part Number	Description	Quantity Per	
				Package	Assembly
1	A	1117328	Arm Pad, Full Length, Urethane Waterfall with Screws, Black (13" L x 2-5/8" W)	1	1
1		1110818	Arm Pads, Full Length, Urethane Waterfall with Screws, Black (13" L x 2-5/8" W) (Pair)	2	1
1	A	1117327	Arm Pad, Desk Length, Urethane Waterfall with Screws, Black (9" L x 2-5/8" W)	1	1
1		1110817	Arm Pads, Desk Length, Urethane Waterfall with Screws, Black (9" L x 2-5/8" W) (Pair)	2	1
2		1041522	Arm Tube, Upper with Plug Buttons (Black) - Full Length	1	1
2		1070859	Arm Tube, Upper with Plug Buttons (Black) - Desk Length	1	1
3		1027095	Plug Button, Black (7/8")	1	2
4		1055949	Screws, Phillips Pan Head (#10-32 x 1-1/8")	2	1
4		1094270	Screw, Phillips Pan Head (#10-32 x 1-1/4") (Pair)	2	1
5	B	1064130	Clothing Guard	1	1
6		47471X074	Spring, Arm Lock	1	1
7		1028594	Pin, Arm Lock	1	1
8		1032245	Grip, Foam Hand (6-7/8" Long)	1	1
9		1090768	Kit, Lock Handle w/Rivets (both LT & RT side)	2	1
10		1028645	Rivet	1	6
11		1035065	Cover, Clothing Guard with Pocket - For Fixed Height Desk Length & Adjustable Height Full/Desk Length	1	1
12	B	1041887	Arm Base Assembly Adjustable Height 16" - 19" Deep, Right	1	1
12	B	1041888	Arm Base Assembly Adjustable Height 16" - 19" Deep, Left	1	1
12	B	1043856	Arm Base Assembly Adjustable Height 20" - 22" Deep, Right	1	1
12	B	1043858	Arm Base Assembly Adjustable Height 20" - 22" Deep, Left	1	1
12	B	1050394	Arm Base Assembly 1" Lower Adjustable Height 16" - 19" Deep, Right	1	1
12	B	1050395	Arm Base Assembly 1" Lower Adjustable Height 16" - 19" Deep, Left	1	1
12	B	1050400	Arm Base Assembly 1" Lower Adjustable Height 20" - 22" Deep, Right	1	1
12	B	1050401	Arm Base Assembly 1" Lower Adjustable Height 20" - 22" Deep, Left	1	1

NOTE: A - As of 1/3/02 upholstered waterfall armpads were replaced with black urethane waterfall armpads. Order in pairs with screws for chairs serviced before 1/3/02.
 B - Stainless steel clothing guards were replaced w/ABS plastic. Chairs manufactured before 7/30/97 should be ordered in pairs to match.

Adjustable Height Arms (After 4/14/97)



Adjustable Height Arms (After 4/14/97)

Item Number	Note	Part Number	Description	Quantity Per	
				Package	Assembly
1	B	1117328	Arm Pad, Full Length, Urethane Waterfall with Screws, Black (13" L x 2-5/8" W)	1	1
1		1110818	Arm Pads, Full Length, Urethane Waterfall with Screws, Black (13" L x 2-5/8" W) (Pair)	2	1
1	B	1117327	Arm Pad, Desk Length, Urethane Waterfall with Screws, Black (9" L x 2-5/8" W)	1	1
1		1110817	Arm Pads, Desk Length, Urethane Waterfall with Screws, Black (9" L x 2-5/8" W) (Pair)	2	1
2		1071253	Arm Top, Adjustable Height with Plug Buttons - Full Length (Black)	1	1
2		1070859	Arm Tube, Upper with Plug Buttons (Black) - Desk Length	1	1
3		1027095	Plug Button, Black (7/8")	1	2
4		1055949	Screws, Phillips Pan Head (#10-32 x 1-1/8")	2	1
4		1094270	Screw, Phillips Pan Head (#10-32 x 1-1/4") (Pair)	2	1
5	A	1064130	Clothing Guard	1	1
6		47471X074	Spring, Arm Lock	1	1
7		1028594	Pin, Arm Lock	1	1
8		1032244	Grip, Foam Hand (9" Long)	1	1
9		1090768	Kit, Lock Handle w/Rivets (both LT & RT side)	2	1
10		1028645	Rivet	1	6
11		1065936	Plug, Pivot	1	2
12		1067734	Plug Button, Black (5/8")	1	2
13		1035065	Cover, Clothing Guard with Pocket - For Fixed Height Desk Length & Adjustable Height Full/Desk Length	1	1
14		1068039	Pin, Pull	1	1
15		1030949	Screw, Hex Head (1/4-20 x 1-1/2")	1	1
16		1068025	Clevis, Pivot	1	1
17		7930323	Package, Locknut (1/4-20)	25	1
18	A	1068416	Arm Base, Adjustable Height 16-19" Deep - Right (Black)	1	1
18	A	1068417	Arm Base, Adjustable Height 16-19" Deep - Left (Black)	1	1
18	A	1068418	Arm Base, Adjustable Height 20" and Deeper - Right (Black)	1	1
18	A	1068419	Arm Base, Adjustable Height 20" and Deeper - Left (Black)	1	1
18	A	1067761	Arm Base, 1" Lower, Adjustable Height 16-19" Deep - Right (Black)	1	1
18	A	1067762	Arm Base, 1" Lower, Adjustable Height 16-19" Deep - Left (Black)	1	1
18	A	1067755	Arm Base, 1" Lower, Adjustable Height 20" and Deeper - Right (Black)	1	1

Adjustable Height Arms (After 4/14/97)

Item Number	Note	Part Number	Description	Quantity Per	
				Package	Assembly
18	A	1067756	Arm Base, 1" Lower, Adjustable Height 20" and Deeper - Left (Black)	1	1
NOTE: A - Stainless steel clothing guards were replaced w/ABS plastic. Chairs manufactured before 7/30/97 should be ordered in pairs to match. B - As of 1/3/02 upholstered waterfall armpads were replaced with black urethane waterfall armpads. Order in pairs with screws for chairs serviced before 1/3/02.					

Front Riggings Reference Chart

AT5544, 60 HD, 70 NHD, 60 MFX

NOTE: Calf pads with attaching hardware not included on legrest.

NOTE: Pivot/Slide tube attaching hardware not included.

NOTE: Pivot/Slide tube and footplates do not include heel loops. See footrest and legrest accessories.

1651 = Composite footplate with 9-7/8" curved pivot/slide tube.
AT5543 = Adjustable angle footplate with 9-7/8" straight pivot/slide tube.
1450 = Deluxe aluminum footplate with "L" style pivot/slide tube.
1350 = Extra large footplate with "L" style pivot/slide tube.

Support Assemblies - AT5544, 60 HD, 70 NHD, 60 MFX

Rigging Type	AT5544	60HD	70NHD	60MFX
Right	8881045291 See Note(s) A	8881053158 See Note(s) A	8881053149 See Note(s) A	8881026998 See Note(s) A
Left	8881045292 See Note(s) A	8881053157 See Note(s) A	8881053148 See Note(s) A	8881026999 See Note(s) A

NOTE: A - Specify frame color when ordering, see page titled, "Frame Finishes, Touch-Up Paints and Upholstery Options."
 NOTE: Pivot/Slide tube and footplates are interchangeable with the support assemblies listed.

Pivot/Slide Tube and Footplates

Footplate Type	1651 13-14" W	1651 15-16" W	1651 17-24" W	1350 17-24" W	AT5543 12-13" W	AT5543 14-15" W	AT5543 16-24" W
Right	1057859	1057869	1057879	1026395	1060442	1060444	1062756
Left	1057860	1057870	1057880	1026396	1060443	1060445	1062757
Right 2" Longer	1057861	1057871	1057881	1086515	N/A	1062758	1062760
Left 2" Longer	1057862	1057872	1057882	1086517	N/A	1062759	1062761
Right 4" Longer	1058419	1058421	1058423	1086516	N/A	N/A	N/A
Left 4" Longer	1058420	1058422	1058424	1086518	N/A	N/A	N/A

Front Riggings Reference Chart
AT5544, 60 HD, 70 NHD, 60 MFX
AT5544 Support w/ 1450 Deluxe Alum. Footplate

Side	Description	Part Number
Right	Legrest Support w/o Pad	8881045291 See Note(s) A
Left	Legrest Support w/o Pad	8881045292 See Note(s) A
Right	Pivot/Slide Tube w/ Deluxe Aluminum Footplate 16"-24" Wide	1028723
Left	Pivot/Slide Tube w/ Deluxe Aluminum Footplate 16"-24" Wide	1028724

NOTE: A - Specify frame finish when ordering. See page titled, "Frame Finishes, Touch-Up Paints and Upholstery Options."

Front Riggings Reference Chart

70 MFX and 90 SWING

NOTE: Pivot/Slide tube attaching hardware not included.

NOTE: Pivot/Slide tube and footplates do not include heel loops. See footrest and legrest accessories.

AT5543 = Adjustable angle footplate with 9-7/8" straight pivot/slide tube.
AT5043 = Flip up footplates without pivot/slide tubes.

Support Assemblies - 70 MFX

Rigging Type	70MFX
Right	8881047481 <small>See Note(s) A</small>
Left	8881047480 <small>See Note(s) A</small>

NOTE: A - Specify frame color when ordering, see page titled "Frame Finishes, Touch-Up Paints and Upholstery Options."
NOTE: Pivot/Slide tube and footplates are interchangeable with the support assemblies listed.

Support Assemblies - 90 SWING

Rigging Type	90° SWING
Right	8881062596 <small>See Note(s) A</small>
Left	8881062597 <small>See Note(s) A</small>

NOTE: A - Specify frame color when ordering. See page titled, "Frame Finishes, Touchup Paints and Upholstery Options."
NOTE: Pivot/Slide tube and footplates are interchangeable with the support assemblies listed.

Pivot/Slide Tube and Footplates - 70 MFX and 90 SWING

Footplate Type	AT5043 12-16" W	AT5543 12-13" W	AT5543 14-15" W	AT5543 17-24" W
Right	1029434	1060436	1060438	1062570
Left	1029435	1060437	1060439	1062571

Front Riggings Reference Chart

70 ST TAPER

NOTE: Pivot/Slide tube attaching hardware not included.

NOTE: Pivot/Slide tube and footplates do not include heel loops. See footrest and legrest accessories.

1651 = Composite footplate with 9-7/8" curved pivot/slide tube.

Support Assemblies

Rigging Type	70° ST TAPER
Right	8881026996 See Note(s) A
Left	8881026997 See Note(s) A

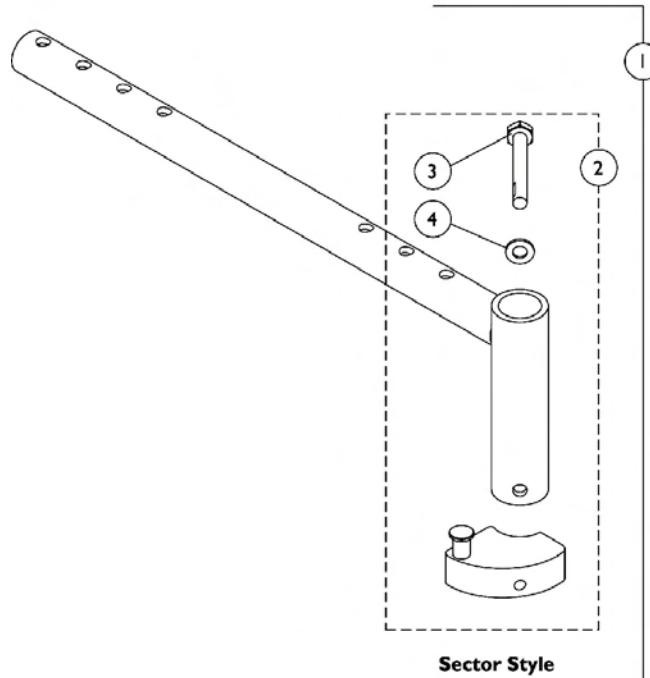
NOTE: A - Specify frame color when ordering. See page titled, "Frame Finishes, Touch-Up Paints and Upholstery Options."
NOTE: Pivot/Slide tube and footplates are interchangeable with the support assemblies listed.

Pivot/Slide Tube and Footplates

Footplate Type	1651 15-17" W	1651 18-19" W	1651 20-24" W
Right	1057859	1057869	1057879
Left	1057860	1057870	1057880
Right 2" Longer	1057861	1057871	1057881
Left 2" Longer	1057862	1057872	1057882

Front Rigging Hanger Assembly Sector Style

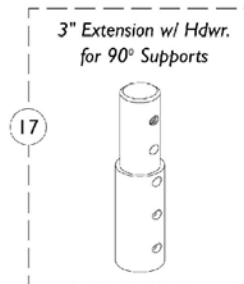
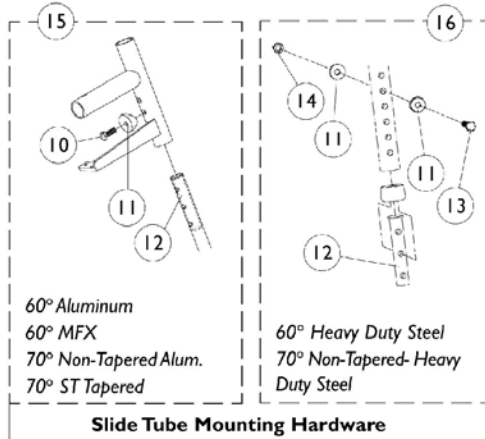
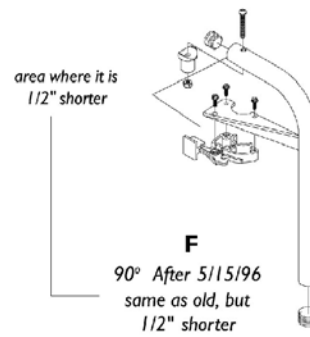
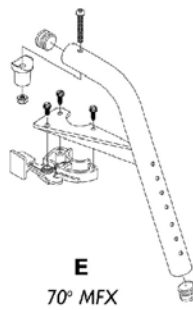
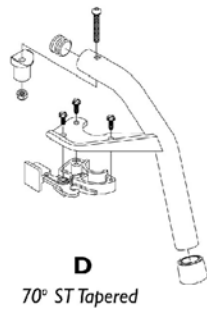
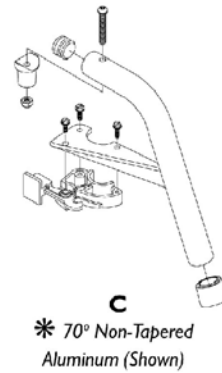
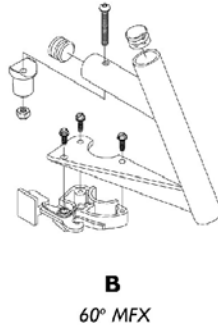
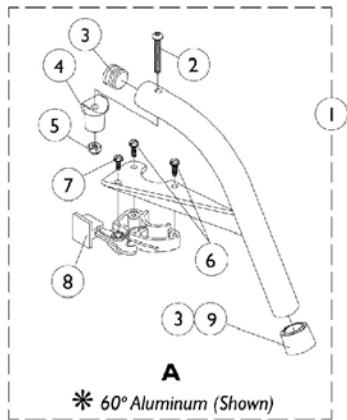
NOTE: Front rigging hangers and seat pans share the same mounting hardware, see Seat Pan and Mounting Hardware page. After 4/15/97 front rigging hangers became adjustable.



Item Number	Note	Part Number	Description	Quantity Per	
				Package	Assembly
1	A	1068435	Front Rigging Hanger Assembly, Sector Style (12-21" Deep) - Right	1	1
1	A	1068436	Front Rigging Hanger Assembly, Sector Style (12-21" Deep) - Left	1	1
1	A	1068437	Front Rigging Hanger Assembly, Sector Style (22" Deep) - Right	1	1
1	A	1068438	Front Rigging Hanger Assembly, Sector Style (22" Deep) - Left	1	1
2	B	1054571	Kit, Sector Block - Right	1	1
2	B	1054572	Kit, Sector Block - Left	1	1
3		1052957	Screw, Hex Head (1/4-20 x 2")	1	1
4		1026907	Washer (1/4 x 1/2 x 1/16")	1	1
NOTE: A - Includes front rigging hanger and item 2 B - Includes sector block assembly and items 3 and 4					

Footrest Support Assemblies

Swingaway 60, 70 and 90 Deg.



* 60° and 70° heavy duty (steel) support assemblies will have holes drilled thru the support tube to attach the slide tube mounting hardware.

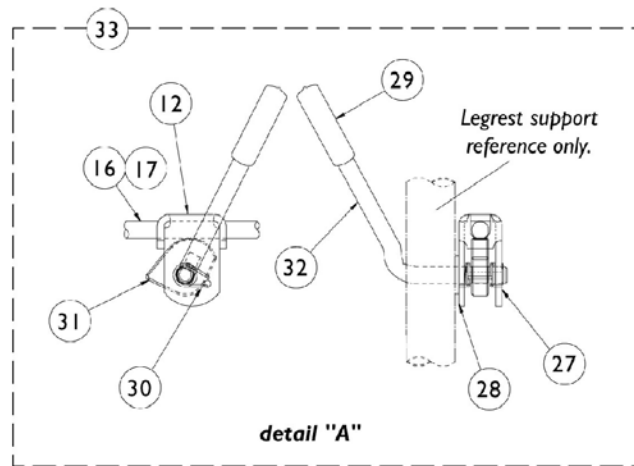
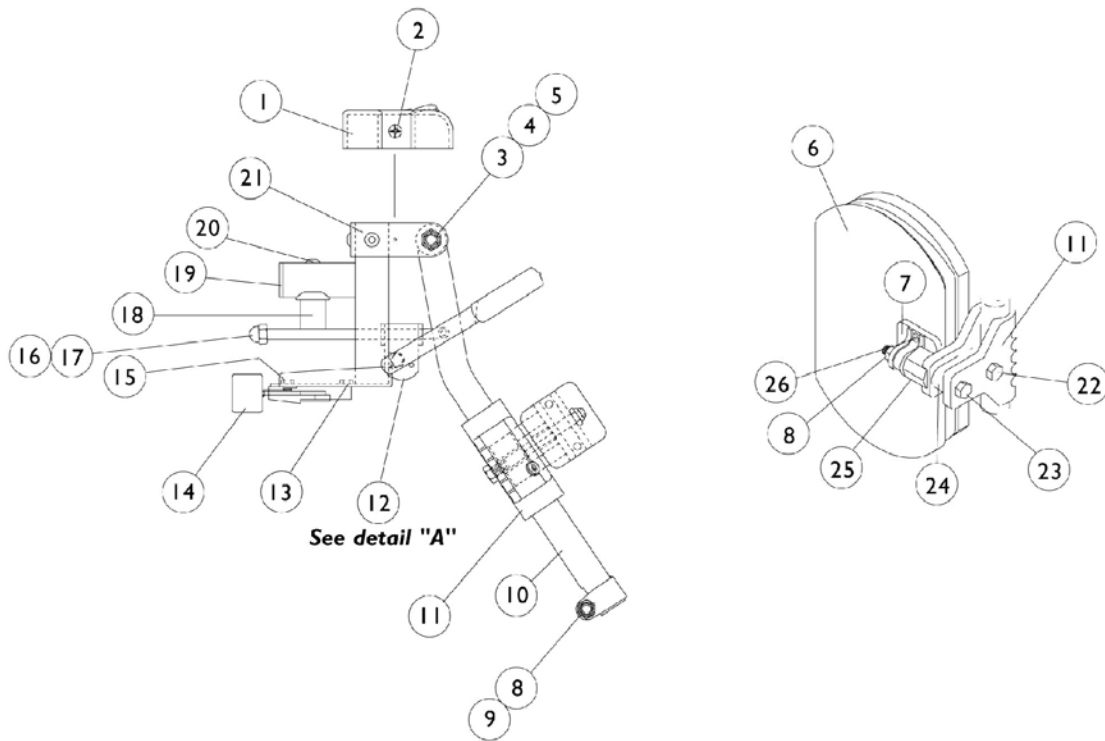
Footrest Support Assemblies Swingaway 60, 70 and 90 Deg.

Item Number	Note	Part Number	Description	Quantity Per	
				Package	Assembly
1	A	8881026992	Footrest Support Assembly, 60°, Sector, Color - Right	1	1
1	A	8881026993	Footrest Support Assembly, 60°, Sector, Color - Left	1	1
1	A	8881053158	Footrest Support Assembly, 60° Heavy Duty, Sector, Color - Right	1	1
1	A	8881053157	Footrest Support Assembly, 60° Heavy Duty, Sector, Color - Left	1	1
1	A	8881026998	Footrest Support Assembly, 60° MFX, Sector, Color - Right	1	1
1	A	8881026999	Footrest Support Assembly, 60° MFX, Sector, Color - Left	1	1
1	A	8881026994	Footrest Support Assembly, 70° Non-Tapered, Sector, Color - Right	1	1
1	A	8881026995	Footrest Support Assembly, 70° Non-Tapered, Sector, Color - Left	1	1
1	A	8881053149	Footrest Support Assembly, 70° Non-Tapered Heavy Duty, Sector, Color - Right	1	1
1	A	8881053148	Footrest Support Assembly, 70° Non-Tapered Heavy Duty, Sector, Color - Left	1	1
1	A	8881026996	Footrest Support Assembly, 70° Tapered, Sector, Color - Right	1	1
1	A	8881026997	Footrest Support Assembly, 70° Tapered, Sector, Color - Left	1	1
1	A	8881047481	Footrest Support Assembly, 70° MFX, Sector, Color - Right	1	1
1	A	8881047480	Footrest Support Assembly, 70° MFX, Sector, Color - Left	1	1
1		8881029455-NL A	Footrest Support Assembly, 90°, Sector, Color - Right	1	1
1		8881029456-NL A	Footrest Support Assembly, 90°, Sector, Color - Left	1	1
1	A,B	8881062596	Footrest Support Assembly, 90°, Sector, Color - Right	1	1
1	A,B	8881062597	Footrest Support Assembly, 90°, Sector, Color - Left	1	1
2		7930321	Screw, Socket Button Head (1/4-20 x 1-7/8")	25	1
3		1029501	Plug Button, Black (1")	1	1
4		1017148	Plug, Pivot	1	1
5		7930333	Locknut (1/4-20)	25	1
6		1025451	Screw, Slotted Hex Washer Head (#10-32 x 5/8")	1	2
7		7930314	Screw, Slotted Hex Head (#10-32 x 1/2")	25	1
8		1025454	Latch Housing - Right	1	1
8		1025455	Latch Housing - Left	1	1
9		1026124	Anti-Rattle Collar	1	1
10		1045267	Screw, Hex Head (1/4-20 x 3/4")	1	1
11		1026099	Spacer, Coved (1/4 x 11/16 x 1/2")	1	2

Footrest Support Assemblies Swingaway 60, 70 and 90 Deg.

Item Number	Note	Part Number	Description	Quantity Per	
				Package	Assembly
12		1020534	Insert, Threaded	1	1
13		1070759	Screw, Hex Head (1/4-20 x 1-1/2")	1	1
14		7930338	Nut, Acorn (1/4-20)	25	1
15		1026703	Kit, Pivot/Slide Tube Mounting Hardware (Pair)	2	1
16		1074143	Kit, Slide Tube Mounting Hardware	1	1
17	A	8881038231	Kit, 3" Extension w/ Hardware (Pair)	2	1
	C	1026987	Impact Guard, 8" Long	1	1
NOTE: A - Specify frame color when ordering. See page titled, "Frame Finishes, Touch-Up Paints and Upholstery Options." B - 90 degree front rigging supports that are no longer available, must be replaced with a pair. C - Not Shown.					

Legrest Support Assembly AT5544



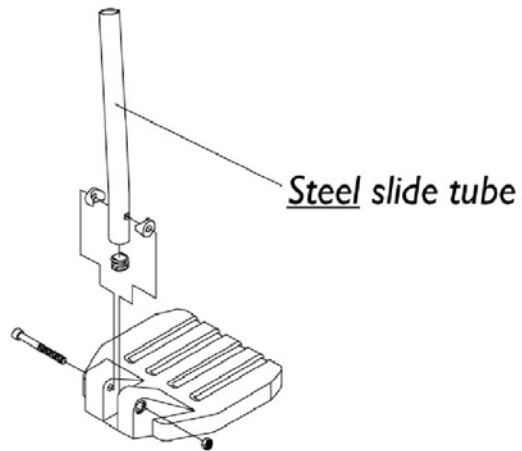
Legrest Support Assembly AT5544

Item Number	Note	Part Number	Description	Quantity Per	
				Package	Assembly
1		1017187	Cover, Top	1	1
2		1028529	Screw, Phillips Pan Head (#8-32 x 3/8")	1	2
3		40363X000	Hex Nut (3/8"-16)	1	1
4		1058636	Washer, Nylon (25/64 x 7/8 x 1/32")	1	2
5		11919X000	Screw, Truss Head (3/8-16 x 1-1/2")	1	1
6	A,E	8881091759	Pad w/Cover and Screws, Legrest Vinyl (Pair)	2	1
6	A,F	8881091764	Pad, Legrest Vinyl - Right/Left	1	1
6		01415X000-NLA	Cover, Legrest Pad	1	1
6	A,G	88804529X003	Pad, Legrest Vinyl - Right	1	1
6	A,G	88804529X004	Pad, Legrest Vinyl - Left	1	1
7		04526X019	Plate, Legrest Pad	1	1
8		7930330	Locknut (5/16-24)	25	3
9		1026030	Screw, Lug (5/16-24 x 1-3/8")	1	1
10		1043556	Tube, Elevating Support (Black) - Right	1	1
10		1043557	Tube, Elevating Support (Black) - Left	1	1
10	B	8881048851	Tube, Elevating Support (Color) - Right	1	1
10	B	8881048852	Tube, Elevating Support (Color) - Left	1	1
11		1032266	Bracket, Legrest Pad Mounting, Black	1	1
12		04528X002	Bracket, Release, Chrome	1	1
13		1025451	Screw, Slotted Hex Washer Head (#10-32 x 5/8")	1	2
14		1025454	Latch Housing - Right	1	1
14		1025455	Latch Housing - Left	1	1
15		7930314	Screw, Slotted Hex Head (#10-32 x 1/2")	25	1
16		42326X001	Bar, Ratchet	1	1
17		7930336	Nut, Acorn (5/16-24)	25	1
18		1017148	Plug, Pivot	1	1
19		1029501	Plug Button, Black (1")	1	1
20		7930301	Package, Button Head Cap Screws (1/4-20 x 1-3/4")	25	1
21	B	8881045289	Bracket, Legrest Support, Color - Right	1	1
21	B	8881045290	Bracket, Legrest Support, Color - Left	1	1
22		1028514	Screw, Hex Head (5/16-24 x 1-1/2")	1	1
23		1037110	Screw, Hex Head (5/16-24 x 3-1/2")	1	1
24		1032267	Spacer, Legrest Pad Mounting	1	1
25		1025133	Spacer, Legrest Pad	1	1
26		1066591	Screws, Phillips Head (#10-32 x 11/16")	2	1
27		1040831	Snap Ring	1	1
28		7930310	Washer, Nylon (5/16 x 11/16 x 1/16")	25	1
29		1040060	Tip, Black Plastic	1	1
30		1037485	Spring, Release	1	1
31		1037125	Cam, Legrest	1	1
	C	1096943	Instruction Sheet, Ratchet Kit	1	1
32		1037126	Handle, Release	1	1

Legrest Support Assembly AT5544

Item Number	Note	Part Number	Description	Quantity Per	
				Package	Assembly
33	D	1096974	Kit, Ratchet Elevating Legrest	2	1
	B,C	8881045291	Legrest Support Assembly, Sector, Color - Right	1	1
	B,C	8881045292	Legrest Support Assembly, Sector, Color - Left	1	1
NOTE: A - Specify upholstery color when ordering. See page titled, "Frame Finishes, Touch-Up Paints and Upholstery Options." B - Specify frame color when ordering. See page titled, "Frame Finishes, Touch-Up Paints and Upholstery Options." C - Not Shown. D - Includes Items 12, 16, 17, and 28-32. E - Before 9/5/00. F - After 9/4/00 (Used for both right and left sides). G - 14-15" Wide.					

Pivot/ Slide Tube and Composite Footplates without Heel Loops



Pivot/ Slide Tube and Composite Footplates without Heel Loops

Composite Footplates with Curved Slide Tubes

Composite Footplates with:	13-14"W Small-Right	13-14"W Small-Left	15-16"W Medium-Right	15-16"W Medium-Right	17" & Wider Small-Right	17" & Wider Large-Left
Long Slide Tube (9-7/8") Curved	1057859 See Note(s) A	1057860 See Note(s) A	1057869 See Note(s) A	1057870 See Note(s) A	1057879 See Note(s) A	1057880 See Note(s) A
2" Longer Slide Tube Curved	1057861 See Note(s) B	1057862 See Note(s) B	1057871 See Note(s) B	1057872 See Note(s) B	1057881 See Note(s) B	1057882 See Note(s) B
Long Slide Tube (9-7/8") Curved	1057859 See Note(s) C	1057860 See Note(s) C	1057869 See Note(s) C	1057870 See Note(s) C	1057879 See Note(s) C	1057880 See Note(s) C
2" Longer Slide Tube Curved	1057861 See Note(s) B	1057862 See Note(s) B	1057871 See Note(s) B	1057872 See Note(s) B	1057881 See Note(s) B	1057882 See Note(s) B

NOTE: A - AT5544 All 60/70 degree (Less 70MFX & Taper).
B - For ALPT Option.
C - For 70 ST, Tapered.

NOTE: Curved pivot/slide tubes are a standard production item that ship out with every chair that have front riggings with composite footplates ordered.

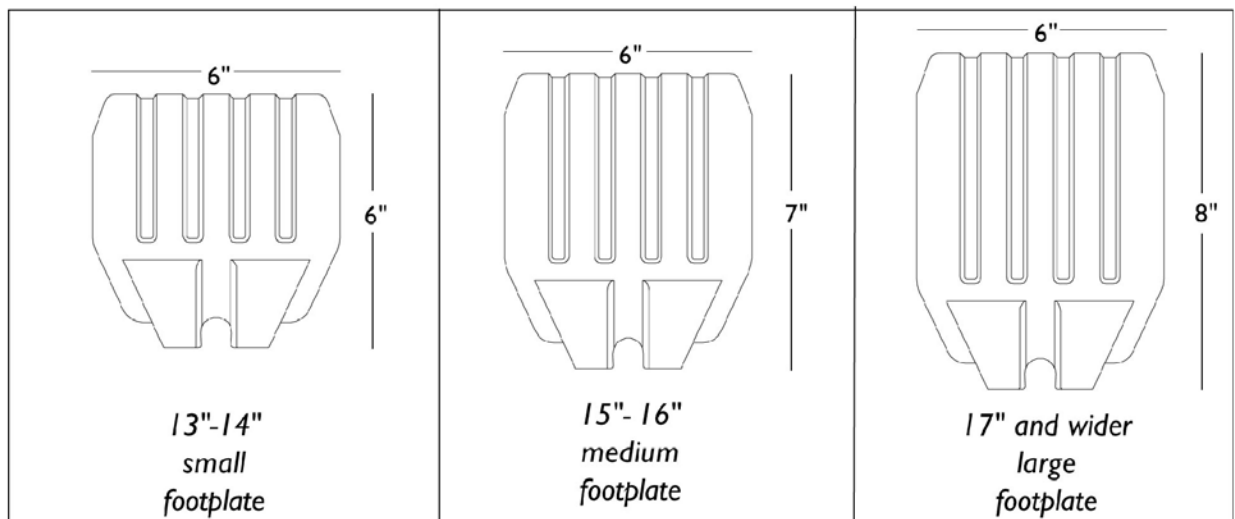
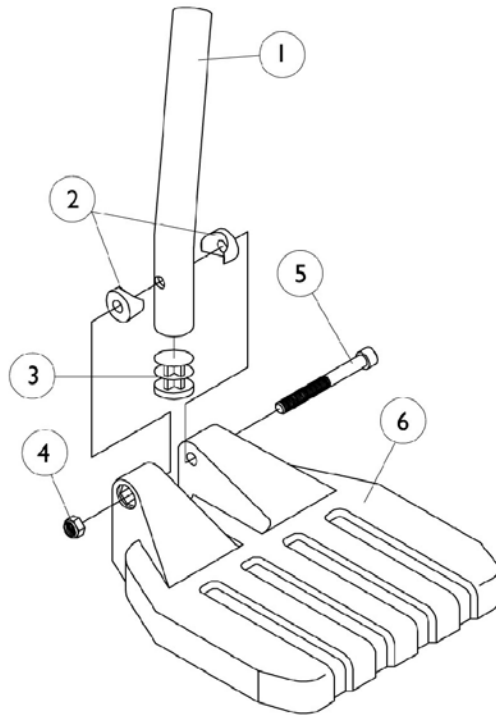
Composite Footplates with Straight Slide Tubes

Composite Footplates with:	13-14"W Small-Right	13-14"W Small-Left	15-16"W Medium-Right	15-16"W Medium-Right	17" & Wider Large-Right	17" & Wider Large-Left
Short Slide Tube (9-7/8") Straight	1057863 See Note(s) A	1057864 See Note(s) A	1057873 See Note(s) A	1057874 See Note(s) A	1057883 See Note(s) A	1057884 See Note(s) A
2" Longer Slide Tube Straight	1057865 See Note(s) B	1057866 See Note(s) B	1057875 See Note(s) B	1057876 See Note(s) B	1057885 See Note(s) B	1057886 See Note(s) B
Short Slide Tube (9-7/8") Straight	1057863 See Note(s) C	1057864 See Note(s) C	1057873 See Note(s) C	1057874 See Note(s) C	1057883 See Note(s) C	1057884 See Note(s) C
2" Longer Slide Tube Straight	1057865 See Note(s) B	1057866 See Note(s) B	1057875 See Note(s) B	1057876 See Note(s) B	1057885 See Note(s) B	1057886 See Note(s) B

NOTE: A - 70 degree Heavy Duty and 70° Non-Tapered.
B - For ALPT Option.
C - For 70 degree ST, Tapered.

NOTE: Straight pivot/slide tubes are a non-standard production item that can be used when foot flexion is desired AND CAN ONLY BE ORDERED AS A SERVICE PART.

Pivot/ Slide Tube and Composite Footplates without Heel Loops



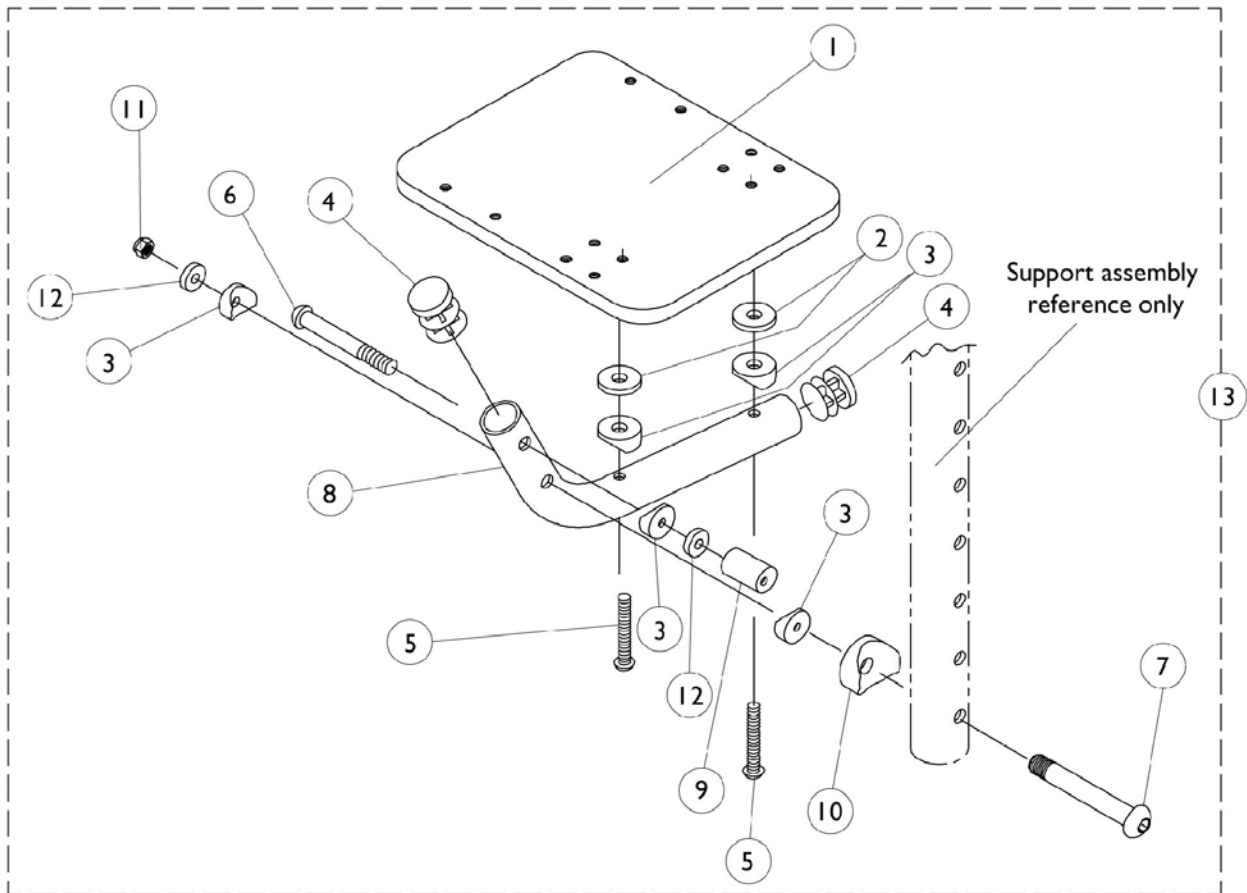
Pivot/ Slide Tube and Composite Footplates without Heel Loops

Item Number	Note	Part Number	Description	Quantity Per	
				Package	Assembly
1	A,E	1057852	Pivot/Slide Tube, Curved End (9-7/8") (Steel)	1	1
1	A,C	1057854	Pivot/Slide Tube, Curved End 2" Longer (Steel)	1	1
1	A,C	1058418	Pivot/Slide Tube, Curved End 4" Longer (Steel)	1	1
1	A,D	1057855	Pivot/Slide Tube, Straight (9-7/8" Long - Steel)	1	1
1	A,C	1057856	Pivot/Slide Tube, Straight (11-7/8" Long - Steel)	1	1
2		1025457	Spacer, Coved (1/4 x 3/4 x 11/32")	1	2
3		1027097	Plug Button, Black (3/4")	1	1
4		7930323	Package, Locknut (1/4-20)	25	1
5		7930366	Screw, Socket Head Cap (1/4-20 x 2-1/4")	25	1
6		1026879	Footplate, Composite - Small (6" W x 6" L)	1	1
6		1026880	Footplate, Composite - Medium (7" W x 6" L)	1	1
6		1026881	Footplate, Composite - Large (8" W x 6" L)	1	1
6	B	1026879	Footplate, Composite - Small (6" W x 6" L)	1	1
6	B	1026880	Footplate, Composite - Medium (7" W x 6" L)	1	1
6	B	1026881	Footplate, Composite - Large (8" W x 6" L)	1	1
	F	See Chart	Curved Slide Tubes	1	1
	F	See Chart	Straight Slide Tubes	1	1

NOTE: A - Due to product enhancement aluminum pivot/slide tubes were replaced with steel. Steel pivot/slide tubes are retrofitable with all riggings before 11/15/95.
 B - 70 degree ST Taper Only.
 C - For ALPT Option.
 D - All 70 degree Riggings (Less 70 MFX).
 E - AT5544 and all 60 - 70 degree Riggings (less 70 degree MFX).
 F - Not Shown

Flip-Up Footplates, AT5043

70 MFX and 90 Deg. Swingaway Supports



Flip-Up Footplates, AT5043

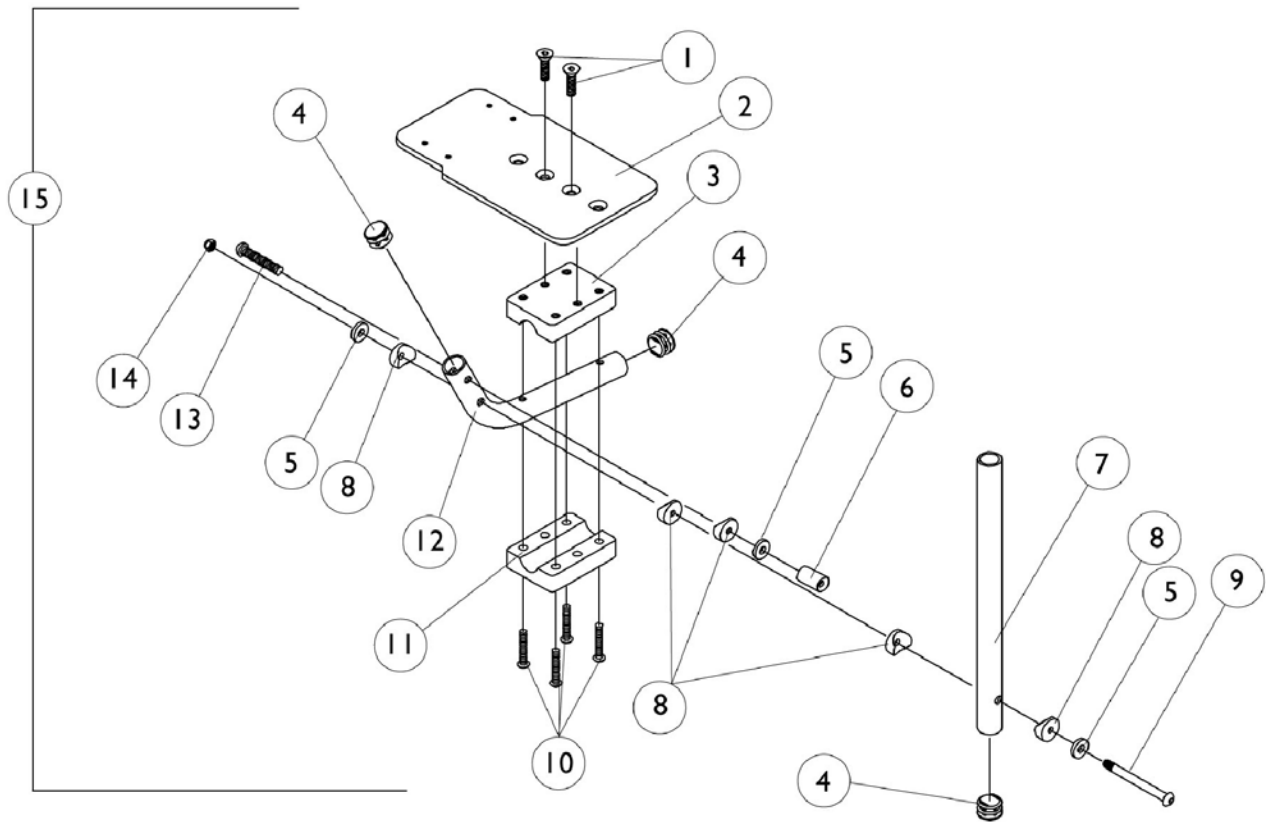
70 MFX and 90 Deg. Swingaway Supports

70 Degree MFX and 90 Degree Swingaway Supports

Item Number	Note	Part Number	Description	Quantity Per	
				Package	Assembly
1		1044082	Footplate	1	1
2		1029454	Washer, Nylon (3/16 x 3/4 x 5/32")	1	2
3		1025457	Spacer, Coved (1/4 x 3/4 x 11/32")	1	5
4		1027097	Plug Button, Black (3/4")	1	2
5		1029464	Screw, Socket Button Head (#10-32 x 1-1/4")	1	2
6		1008495	Screw, Socket Button Head (1/4-20 x 1-1/2")	1	1
7		1023967	Screw, Socket Button Head (1/4-20 x 2-5/8")	1	1
8		1029428	Tube, Footrest	1	1
9		1028417	Cam, Adjustment	1	1
10		40157X020	Spacer, Coved (1/4 x 1 x 9/16")	1	1
11		7930333	Locknut (1/4-20)	25	1
12		1018739	Washer (1/4 x 5/8 x 3/32")	1	2
13		1029434	Flip-Up Footplate Assembly -Right	1	1
13		1029435	Flip-Up Footplate Assembly -Left	1	1

Adjustable Angle Footplates, AT5543

60, 60 MFX and 70 Deg. Swingaway Supports
Before 3/1/95



Adjustable Angle Footplates, AT5543

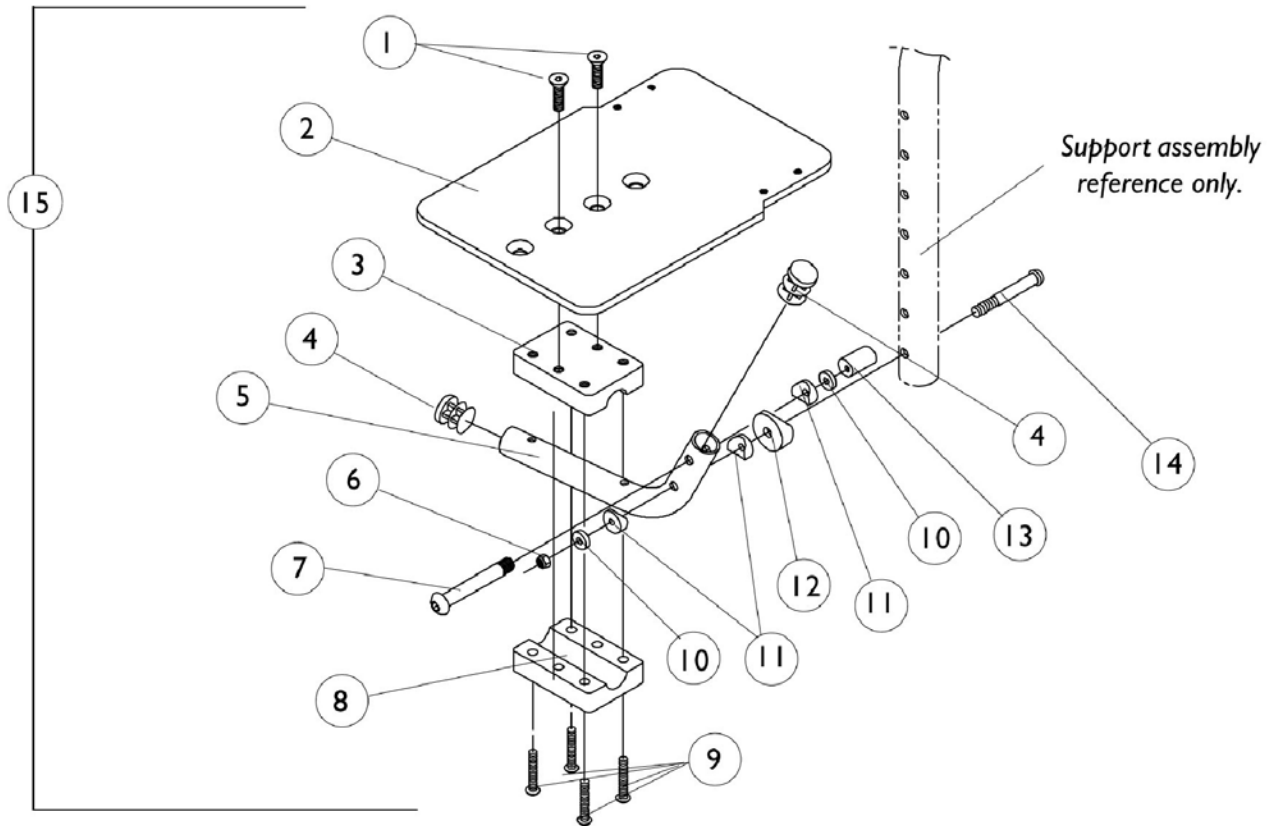
60, 60 MFX and 70 Deg. Swingaway Supports Before 3/1/95

Item Number	Note	Part Number	Description	Quantity Per	
				Package	Assembly
1		1029545	Screw, Socket Head Cap (1/4-20 x 3/4")	1	2
2		1043344	Footplate, Wrinkle Coat	1	1
2		1044080	Footplate, Wrinkle Coat	1	1
3		1027626	Half Clamp, Threaded	1	1
4		1027097	Plug Button, Black (3/4")	1	3
5		1018739	Washer (1/4 x 5/8 x 3/32")	1	2
6		1028417	Cam, Adjustment	1	1
7		1120384-NLA	Pivot Slide Tube, Straight - Alum. (9-7/8" Long)	1	1
8		1025457	Spacer, Coved (1/4 x 3/4 x 11/32")	1	4
9		1030952	Screw, Shoulder (1/4-24 x 2")	1	1
10		1009837	Screw, Socket Button Head (1/4-20 x 1")	1	4
11		1027627	Half Clamp, Non-Threaded	1	1
12		1029428	Tube, Footrest	1	1
13		1008495	Screw, Socket Button Head (1/4-20 x 1-1/2")	1	1
14		7930333	Locknut (1/4-20)	25	1
15		1043192-NLA	Hardware, Footplate Assembly, Right	1	1
15		1043193-NLA	Hardware, Footplate Assembly, Left	1	1
15		1043195-NLA	Hardware, Footplate Assembly, Right	1	1
15		1043196-NLA	Hardware, Footplate Assembly, Left	1	1

Adjustable Angle Footplates, AT5543

70 MFX and 90 Deg. Swingaway Supports

Before 3/1/95



Adjustable Angle Footplates, AT5543

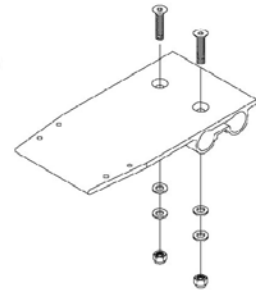
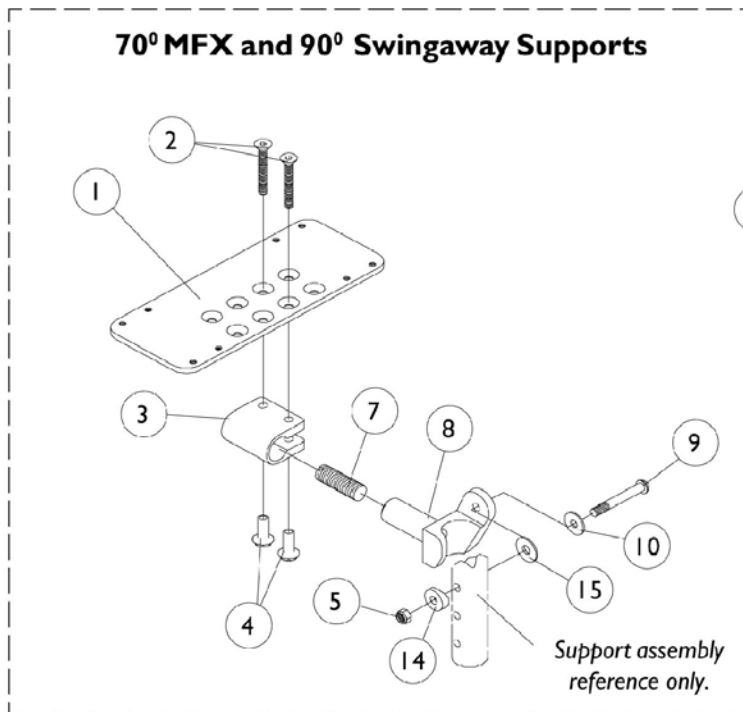
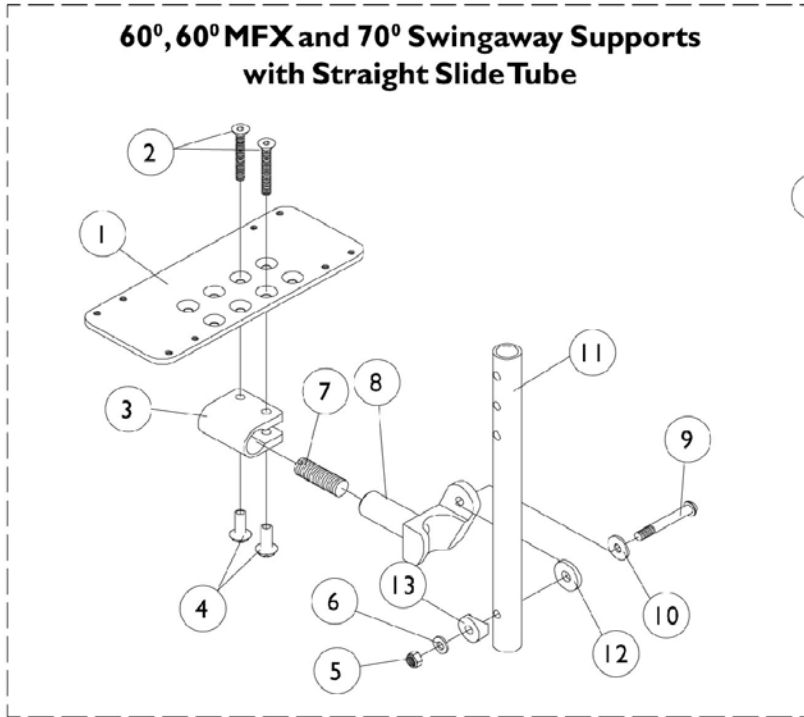
70 MFX and 90 Deg. Swingaway Supports Before 3/1/95

Item Number	Note	Part Number	Description	Quantity Per	
				Package	Assembly
1		1029545	Screw, Socket Head Cap (1/4-20 x 3/4")	1	2
2	A	1043344	Footplate, Wrinkle Coat	1	1
2	B	1044080	Footplate, Wrinkle Coat	1	1
3		1027626	Half Clamp, Threaded	1	1
4		1027097	Plug Button, Black (3/4")	1	2
5		1029428	Tube, Footrest	1	1
6		7930333	Locknut (1/4-20)	25	1
7		1023967	Screw, Socket Button Head (1/4-20 x 2-5/8")	1	1
8		1027627	Half Clamp, Non-Threaded	1	1
9		1009837	Screw, Socket Button Head (1/4-20 x 1")	1	4
10		1018739	Washer (1/4 x 5/8 x 3/32")	1	2
11		1025457	Spacer, Coved (1/4 x 3/4 x 11/32")	1	3
12		40157X020	Spacer, Coved (1/4 x 1 x 9/16")	1	1
13		1028417	Cam, Adjustment	1	1
14		1008495	Screw, Socket Button Head (1/4-20 x 1-1/2")	1	1
15	A	1029449-NLA	Footplate Assembly w/ Hardware, Right	1	1
15	A	1029450-NLA	Footplate Assembly w/ Hardware, Left	1	1
15	B	1039967-NLA	Footplate Assembly w/ Hardware, Right	1	1
15	B	1039968-NLA	Footplate Assembly w/ Hardware, Left	1	1

NOTE: A - 14-15" wide chairs.
B - 16-24" wide chairs.

Adjustable Angle Footplates, AT5543

60, 60 MFX, 70, 70 MFX & 90 Deg. Swingaway Supports After 2/28/95



Footplate no longer available

Adjustable Angle Footplates, AT5543

60, 60 MFX, 70, 70 MFX & 90 Deg. Swingaway Supports After 2/28/95

Item Number	Note	Part Number	Description	Quantity Per	
				Package	Assembly
1	B	1060426	Footplate, Adjustable Angle - Medium (4-1/4" W x 8" L)	1	1
1	C	1060427	Footplate, Adjustable Angle - Large (5-1/4" W x 8" L)	1	1
1	D	1062569	Footplate, Adjustable Angle - X-Large (6-1/4" W x 8" L)	1	1
2	A	1029545	Screw, Socket Head Cap (1/4-20 x 3/4")	1	2
3	A	1058517	Clamp, Footplate	1	1
4	A	1082686	Nut, Hex Head (1/4-20 x 11/16")	1	2
5		7930333	Locknut (1/4-20)	25	1
6		1026907	Washer (1/4 x 1/2 x 1/16")	1	1
7		1048816	Screw, Nylon Adjustment (1/2-13 x 7/8")	1	1
8		1052102	Hinge, Footplate - Right	1	1
8		1052103	Hinge, Footplate - Left	1	1
9		7930321	Screw, Socket Button Head (1/4-20 x 1-7/8")	25	1
10		1026900	Washer (1/4 x 23/32 x 1/16")	1	1
11		1057855	Pivot/Slide Tube, Straight (9-7/8" Long - Steel)	1	1
11		1057856	Pivot/Slide Tube, Straight (11-7/8" Long - Steel)	1	1
12		7930313	Washer, Nylon (5/16 x 7/8 x 1/8")	25	1
13		1025457	Spacer, Coved (1/4 x 3/4 x 11/32")	1	1
14		1026099	Spacer, Coved (1/4 x 11/16 x 1/2")	1	1
15		1036435	Washer, Nylon (1/4 x 7/8 x 1/32")	1	1
16		See Chart	#16 Pivot/ Slide Tube and Footplate Assemblies	1	1

NOTE: A - Items 2, 3 and 4 must be ordered together for chairs manufactured before 8/10/99 due to a hardware change.
 B - For 12-13" wide chairs
 C - For 14-15" wide chairs
 D - For 16" and wider chairs

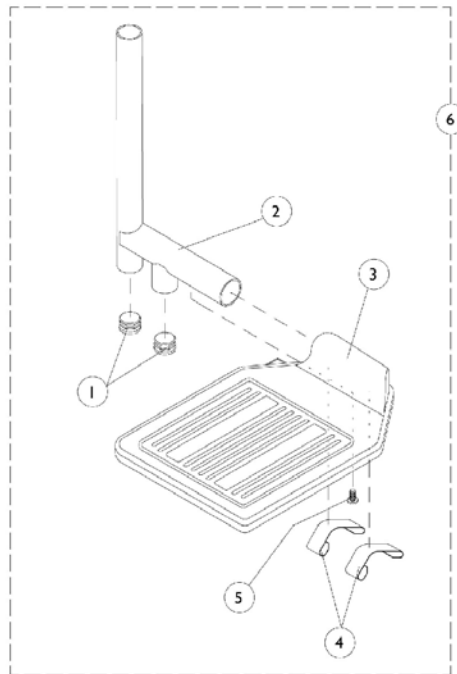
#16 Pivot/ Slide Tube and Footplate Assemblies

Rigging Type	12"-13" W 4-1/4" Medium Right	12"-13" W 4-1/4" Medium Left	14"-15" W 5-1/4" Large Right	14"-15" W 5-1/4" Large Left	16" and Wider 6-1/4" X-Large Right	16" and Wider 6-1/4" X-Large Left
90/ 70 Deg MFX Swingaway Supports	1060436	1060437	1060438	1060439	1062570	1062571
60/ 60 MFX/ 70 Deg. Swingaway Supports	1060442	1060443	1060444	1060445	1062756	1062757

Adjustable Angle Footplates, AT5543
60, 60 MFX, 70, 70 MFX & 90 Deg. Swingaway Supports After 2/28/95
#16 Pivot/ Slide Tube and Footplate Assemblies

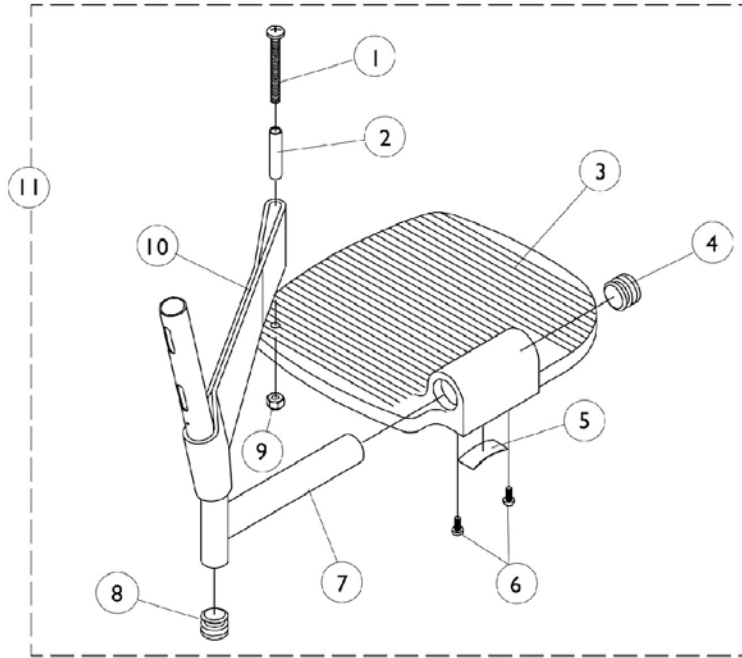
Rigging Type	12"-13" W 4-1/4" Medium Right	12"-13" W 4-1/4" Medium Left	14"-15" W 5-1/4" Large Right	14"-15" W 5-1/4" Large Left	16" and Wider 6-1/4" X-Large Right	16" and Wider 6-1/4" X-Large Left
60/ 60 MFX/ 70 Deg. Swingaway Supports w/ 2" Longer Slide Tube	N/A	N/A	1062758	1062759	1062760	1062761

Deluxe Aluminum Footplate, 1450



Item Number	Note	Part Number	Description	Quantity Per	
				Package	Assembly
1		1027097	Plug Button, Black (3/4")	1	1
2		1100571	Pivot/Slide Tube with Plug Button - Deluxe	1	1
3		1043659	Footplate, Aluminum - Deluxe (8" W x 5-3/4" L) - Right	1	1
3		1043660	Footplate, Aluminum - Deluxe (8" W x 5-3/4" L) - Left	1	1
3		1006981	Spring, Leaf	1	2
5		1025729	Screw, Self Tapping Pan Head (#8-32 x 3/8")	1	1
6		1028723	Pivot/ Slide Tube w/ Footplate Deluxe Aluminum (9-1/2" Long)	1	1
6		1028724	Pivot/ Slide Tube w/ Footplate Deluxe Aluminum (9-1/2" Long)	1	1

Extra Large Footplate, 1350



Item Number	Note	Part Number	Description	Quantity Per	
				Package	Assembly
1		1028479	Screw, Phillips Pan Head (1/4-20 x 2-1/2")	1	1
2		1006477	Spacer (1/4 x 11/32 x 1-3/4")	1	1
3		44200X025	Footplate, Aluminum - Extra Large (8" W x 8-1/2" L) - Right	1	1
3		44200X026	Footplate, Aluminum - Extra Large (8" W x 8-1/2" L) - Left	1	1
4		1027095	Plug Button, Black (7/8")	1	1
5		1036123	Spring, Leaf	1	1
6		1025729	Screw, Self Tapping Pan Head (#8-32 x 3/8")	1	2
7		1048834	Pivot/Slide Tube with Plug Button	1	1
7		1098906	Pivot/Slide Tube with Plug Button - 2" Longer	1	1
7		1086482	Pivot/Slide Tube with Plug Button - 4" Longer	1	1
8		1027097	Plug Button, Black (3/4")	1	1
9		7930323	Package, Locknut (1/4-20)	25	1
10		1017621	Heel Loop	1	1
11		See Chart	#11 Pivot/ Slide Tube and Footplate	1	1

Item #11 Pivot/Slide Tube w/ 1350 Extra Large Footplate"

	Right	Left
--	-------	------

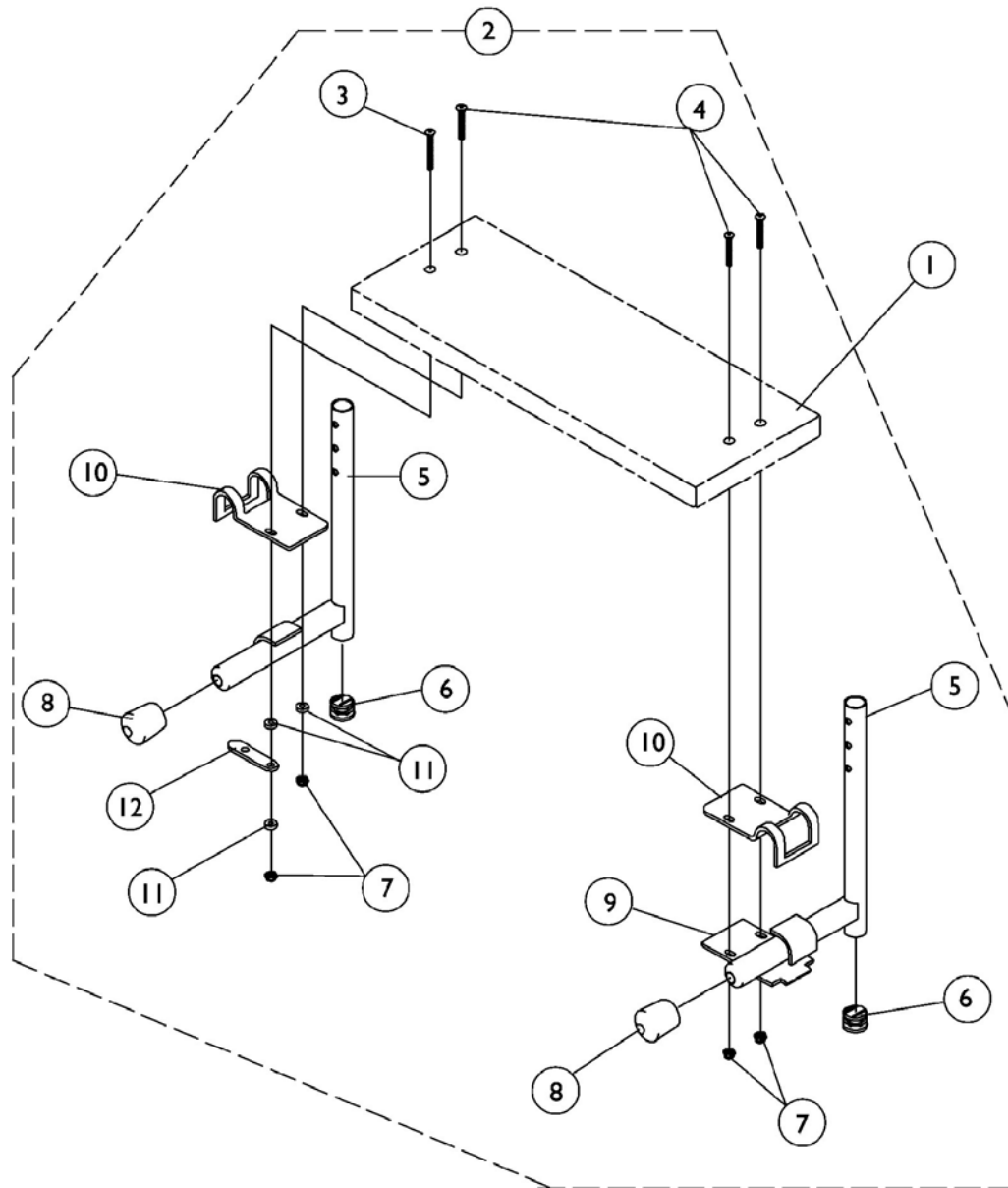
Extra Large Footplate, 1350

Item #11 Pivot/Slide Tube w/ 1350 Extra Large Footplate"

	Right	Left
Standard	1026395 See Note(s) A	1026396 See Note(s) A
2" Longer	1086515 See Note(s) A	1086517 See Note(s) A
4" Longer	1086516 See Note(s) A	1086518 See Note(s) A

NOTE: A - Pivot/ Slide Tube and Footplates do not include Heel Loops items 1, 2, 9 and 10.

S1263 One Piece Wooden Footboard and Hardware



S1263 One Piece Wooden Footboard and Hardware

Item Number	Note	Part Number	Description	Quantity Per	
				Package	Assembly
1	A	See Chart	#1 One Piece Wooden Footboard	1	1
		See Chart	Heel Loop Hardware Packages	1	1
2	B	1054573	Kit, Wooden Footboard Mounting Hardware	1	1
3			Screw, Phillips Oval Head (#10-32 x 1-1/2")	1	1
4			Screw, Phillips Oval Head (#10-32 x 1-1/4")	1	3
5			Tube, Pivot/Slide - Right (Chrome)	1	1
5			Tube, Pivot/Slide - Left (Chrome)	1	1
6			Plug Button, Black (3/4")	1	2
7			Locknut (#10-32)	1	4
8			Cap, Tube End (7/8")	1	2
9			Lock, Pad Plate, Legrest	1	1
10			Clamp	1	2
11	Washer, Nylon (3/16 x 7/16 x 1/8")	1	3		
12	Link, Locking	1	1		

NOTE: A - Not Shown.
B - Includes items 3-12

#1 One Piece Wooden Footboard

NOTE: When selecting a wooden footboard for 70 Degree Tapered Footrest, order a 3" narrower footboard to accommodate the 1.5" footrest taper per side. Example: 17" wide chair will use a 14" wide chair footboard. S1263 option is not available for tapered footrest less than 17" wide.

Footrest-Footboard w/ Heel Loop Holes Part Number	Legrest-Footboard w/o Heel Loop Holes Part Number	Chair Width	Footboard Width	Footboard Depth
1034245	48247X003	14"	11-5/8"	6"
1034246	1031910	15"	12-1/2"	6"
1034247	48247X001	16"	13-3/4"	6"
1034248	1031911	17"	14-1/2"	6"
1034249	48247X000	18"	15-9/16"	6"
1034250	1031912	19"	16-1/2"	6"
1034251	1031913	20"	17-1/2"	6"
1034252	1031914	21"	18-1/2"	6"
1034253	1031915	22"	19-1/2"	6"
1034254	1031916	23"	20-1/2"	6"
1034255	1031917	24"	21-1/2"	6"

S1263 One Piece Wooden Footboard and Hardware

Heel Loop Hardware Packages (not shown)

(All hardware is included to attach heel loops to footboard.)

Chair Width	Part Number	Package Includes
14-15" Wide	1033904	2 each Heel Loops 4 each Screw, PPH (1/4-20 x 3") 4 each Spacer (1/4 x 11/32 x 1-3/4") 4 each Locknut (1/4-20)
16"-24" Wide	1033905	2 each Heel Loops 4 each Screw, PPH (1/4-20 x 3") 4 each Spacer (1/4 x 11/32 x 1-3/4") 4 each Locknut (1/4-20)

Footrest and Legrest Accessories (continued)

1651 Composite Footplate

Footplate Type	Heel Loop Single #	Heel Loop Pair #	Heel Loop w/Ankle Strap Single # - Right	Heel Loop w/Ankle Strap Single # - Left	Heel Loop w/Ankle Strap Pair #	Attaching Hardware Pair #
Small 13-14"W (15-27"W) Tapered	1028412	1035912	1035908	1035909	1035906	1035931
Medium 15-16"W (18-19"W) Tapered	1017621	1035917	1035919	1035920	1035918	1035931
Large 17-24"W (24-24"W) Tapered	1017621	1035917	1035932	1035933	1035930	1035931

1450 Deluxe Aluminum

Footplate Type	Heel Loop Single #	Heel Loop Pair #	Heel Loop w/Ankle Strap Single # - Right	Heel Loop w/Ankle Strap Single # - Left	Heel Loop w/Ankle Strap Pair #	Attaching Hardware Pair #
16-24"W	1017621	1035917	1035919	1035920	1035918	1086112

1350 Extra Large Aluminium

Footplate Type	Heel Loop Single #	Heel Loop Pair #	Heel Loop w/Ankle Strap Single # - Right	Heel Loop w/Ankle Strap Single # - Left	Heel Loop w/Ankle Strap Pair #	Attaching Hardware Pair #
16-24"W	1017621	1035917	1035917	1035920	1035918	1055241

Footrest and Legrest Accessories (continued)

Attaching Hardware

Heel Loops and Hardware	Heel Loops with Ankle Strap and Hardware
AT5043 Flip-Up and AT5543 Adjustable Angle	AT5043 Flip-Up and AT5543 Adjustable Angle
1038245	1038246
Package Consists Of:	Package Consists Of:
2 ea. Heel Loops 4 ea. Screw, Socket Head Cap (10-32 x 1-1/2") 4 ea. Spacer (1/4 x 5/16 x 1-3/32") 4 ea. Washer (3/16 x 7/16 x 1/16")	2 ea. Heel Loop with Ankle Strap 4 ea. Screw Socket Head Cap (10-32 x 1-1/2") 4 ea. Spacer (1/4 x 5/16 x 1-3/32") 4 ea. Washer (3/16 x 7/16 x 1/16")

Attaching Hardware

1035931	1086112	1055241
Package Consists Of:	Package Consists Of:	Package Consists Of:
2 ea. Screw PPH (1/4-20 x 2-1/4") 2 ea. Spacer (1/4 x 11/32 x 1-3/4") 2 ea. Locknut (14-20)	2 ea. Screw PPH (1/4-20 x 2-1/4") 2 ea. Spacer (1/4 x 11/32 x 1-3/4") 2 ea. Locknut (14-20)	2 ea. Screw PPH (1/4-20 x 2-1/4") 2 ea. Spacer (1/4 x 11/32 x 1-3/4") 2 ea. Locknut (14-20)

Footrest and Legrest Accessories (continued)

Item Number	Note	Part Number	Description	Quantity Per	
				Package	Assembly
		1032243	Calf Strap w/ Hook and Loop (36" Long)	1	1
	C	1032214	H-Strap, 24" Long	1	1
	D	1032215	H-Strap, 26" Long	1	1
	E	1032216	H-Strap, 31" Long	1	1
	A	8881038231	Kit, 3" Extension w/ Hardware (Pair)	2	1
		1026987	Impact Guard, 8" Long	1	2
	B	See Chart	1350 Extra Large Aluminium	1	1
	B	See Chart	1450 Deluxe Aluminium	1	1
	B	See Chart	1651 Composite	1	1
	B	See Chart	Attaching Hardware Part Numbers	1	1
	B	See Chart	Footrest and Legrest Accessories - Heel Loops and Hardware	1	1
	B	See Chart	Hardware, 1651, 1450, 1350, AT5043, AT5543	1	1

NOTE: A - Specify frame color when ordering. See page titled, "Frame Finishes, Touch-Up Paints and Upholstery Options."
 B - Not Shown
 C - 12-14" wide seats
 D - 15-16" wide seats
 E - 17" and wider seats

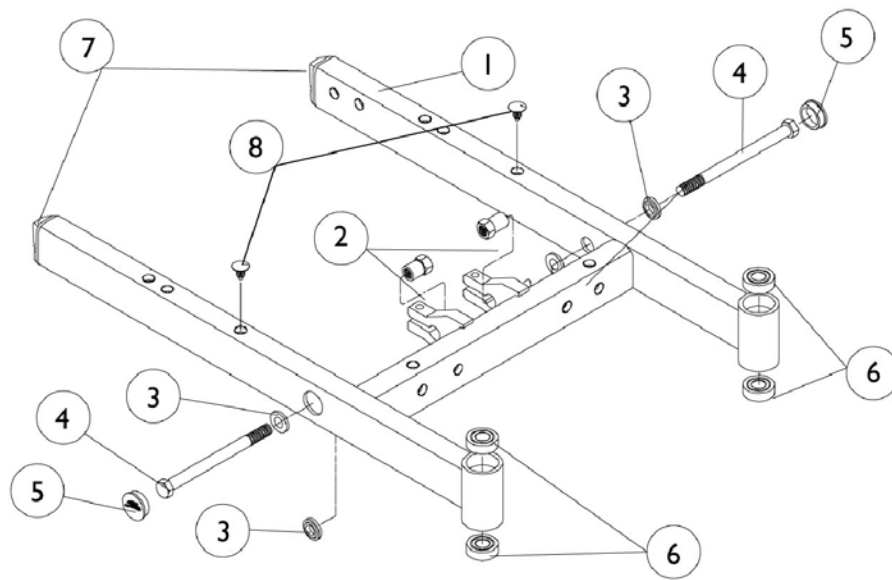
Attaching Hardware

1345 Toe Loops	Toe Loop Single #	Toe Loop Pair #
	04572X025	1037087
	Part Number	Package Consists of:
Hardware For: 1651, 1450, 1350 Footplates	1037089	4 ea. Screw PPH (10-32 x 7/8") 4 ea. Washer (1/4 x 3/4 x 3/32") 4 ea. Locknut (10-32)

Base Frame

NOTE: "Base Frames are not available as a service part."

Wheelchair must be returned to Invacare when Base Frame needs replacement. Contact Invacare Customer Service for more information.



Base Frame

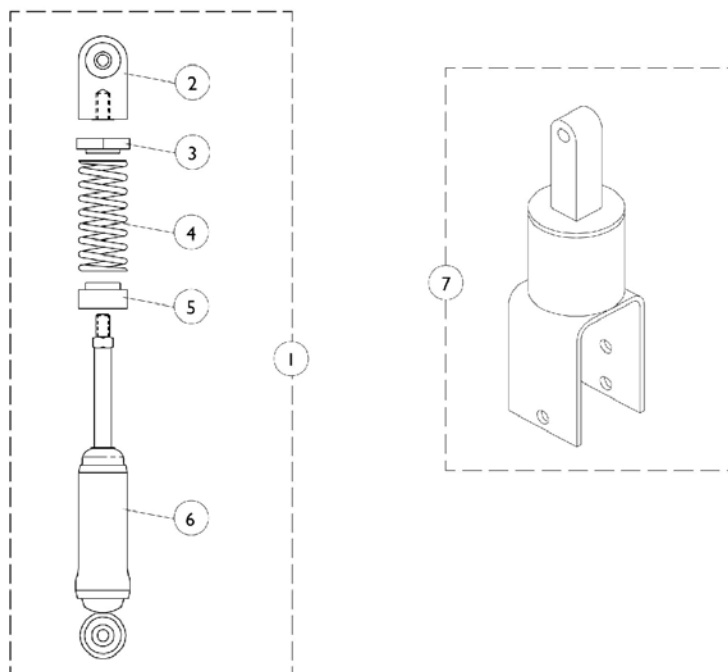
NOTE: "Base Frames are not available as a service part."

Wheelchair must be returned to Invacare when Base Frame needs replacement. Contact Invacare Customer Service for more information.

Item Number	Note	Part Number	Description	Quantity Per	
				Package	Assembly
2		1039683	Nut, Shoulder (1/2-20)	1	2
3		1039684	Washer (1/2" I.D. x 7/8" O.D.)	1	4
4		1039682	Screw, Hex Head (1/2-20 x 7")	1	2
5		1038353	Cap, Caster Headtube	1	2
6		40117X006	Bearing (5/8")	1	4
7		1043644	End Cap w/ O-Ring	1	2
8		1068606	Fastener, Panel (Pair)	2	1

Shock Absorbers

NOTE: Gearless/ Brushless motors were made available on-chair as an option for Storm Arrow and Ranger X 4/1/99. On 7/1/99 Gearless/ Brushless motors became standard for Storm Arrow only.



Item Number	Note	Part Number	Description	Quantity Per	
				Package	Assembly
1	A	1039660	Shock Assembly, (RWD) Heavy Duty	1	1
1	B	1041419	Shock Assembly, (RWD) Standard	1	1
2		1041431	Shock Eyelet Assembly	1	1
3		1054481	Retainer, Shock, Spring (Upper)	1	1
4	A	1043596	Spring, Shock, Heavy Duty	1	1
4	B	1043595	Spring, Shock, Standard	1	1
5		1042466	Retainer, Shock Spring (Lower)	1	1
6		1039659	Shock Absorber	1	1
7		1050177	Rubber Element	1	1

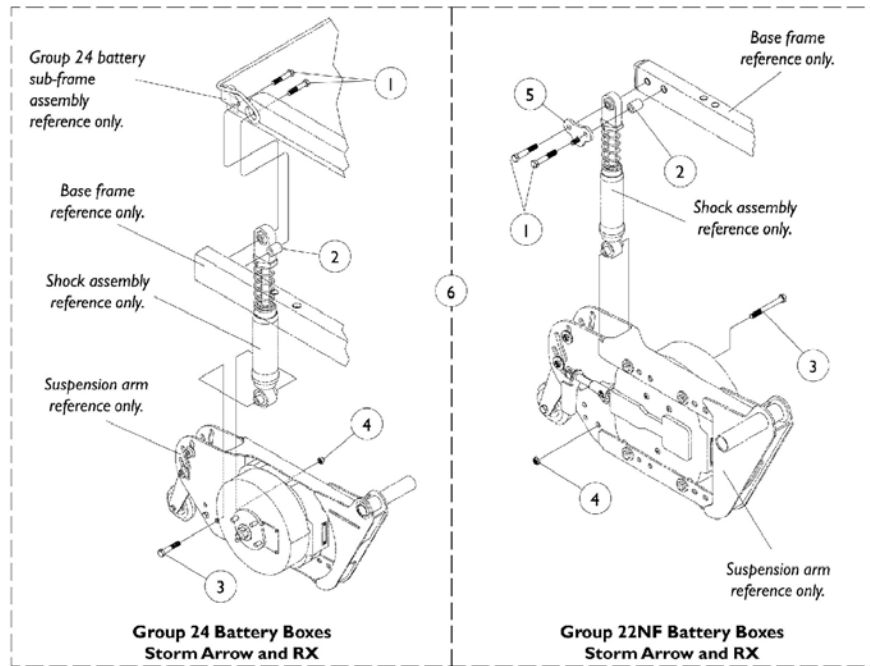
NOTE: A - 300 lb. capacity Gearless/Brushless and 400 lb. capacity Heavy Duty.
B - 250 lb. capacity Standard.

NOTE: See shock suspension mounting hardware page to find shock absorber attaching hardware.

Shock Suspension Mounting Hardware

Gearless/ Brushless

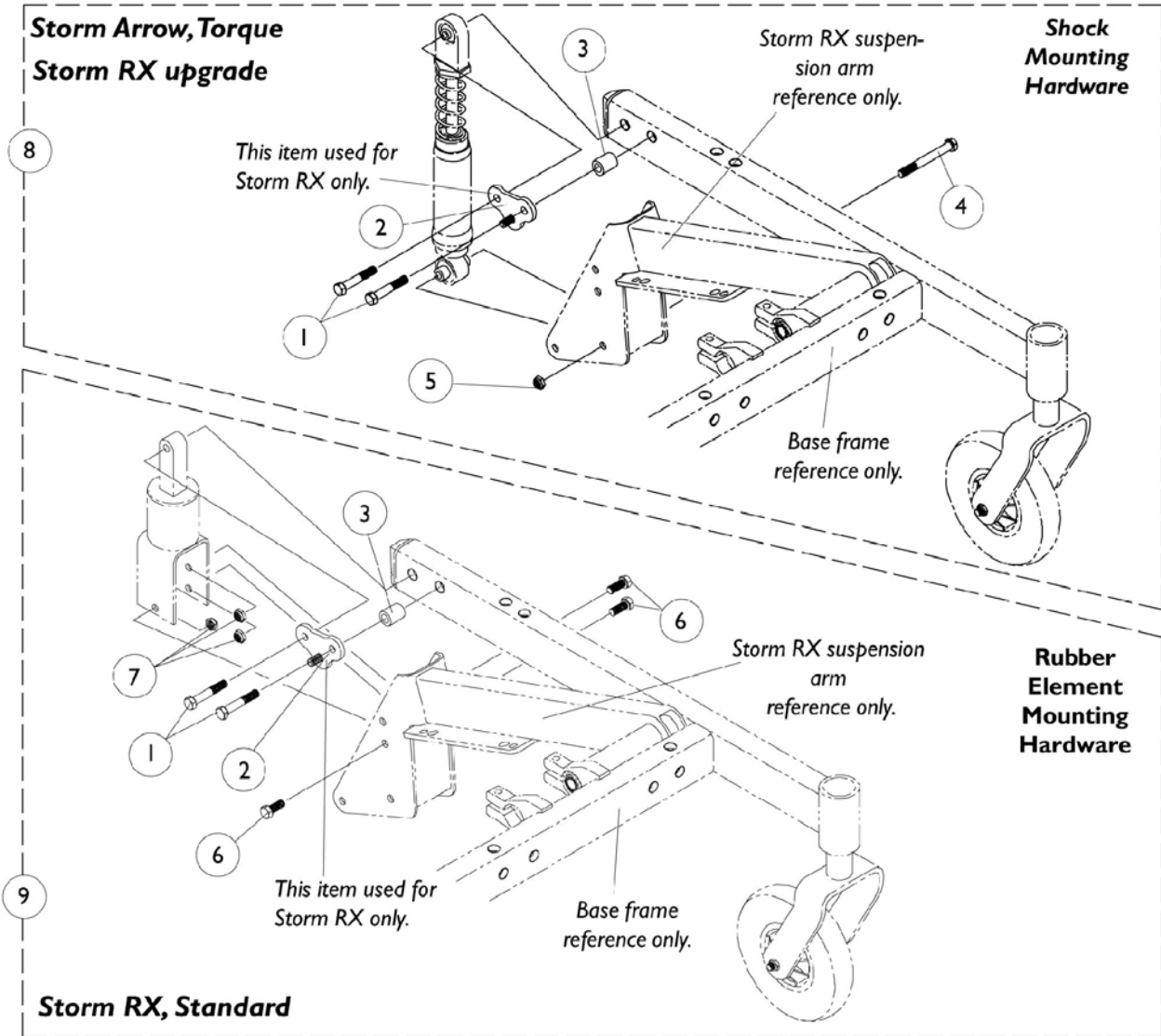
NOTE: Gearless/ Brushless motors were made available on-chair as an option for Storm Arrow and Ranger X 4/1/99. On 7/1/99 Gearless/ Brushless motors became standard for Storm Arrow only.



Item Number	Note	Part Number	Description	Quantity Per	
				Package	Assembly
1		1043627	Screw, Hex Head Cap with Patch (5/16-18 x 1-3/4")	1	2
2		1039649	Spacer (3/8 x 5/8 x 25/32")	1	1
3		1042486	Screw, Hex Head (5/16-18 x 2-3/4")	1	1
4		1028769	Locknut (5/16-18)	1	1
5		1049354	Bracket, Hanger, Black	1	1
6		1079254	Hardware, Shock Suspension Mounting, Group 24 Battery Box	1	1
6		1079255	Hardware, Shock Suspension Mounting, Group 22 Battery Box	1	1

Shock Suspension Mounting Hardware

Before 7/1/98



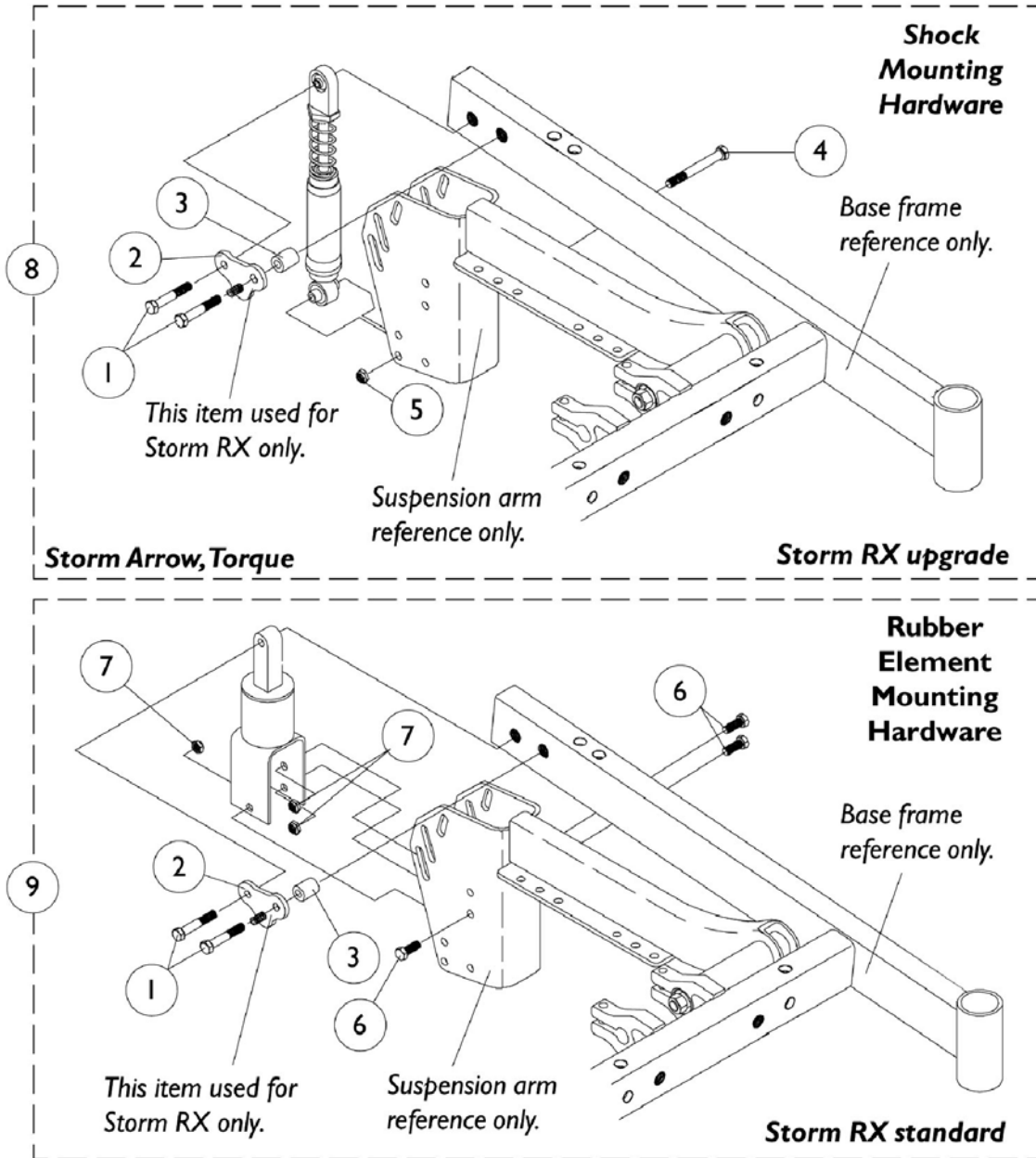
Shock Suspension Mounting Hardware Before 7/1/98

Item Number	Note	Part Number	Description	Quantity Per	
				Package	Assembly
1	A	1043627	Screw, Hex Head Cap with Patch (5/16-18 x 1-3/4")	1	2
2		1049354	Bracket, Hanger, Black	1	1
3		1039649	Spacer (3/8 x 5/8 x 25/32")	1	1
4		1042486	Screw, Hex Head (5/16-18 x 2-3/4")	1	1
5		1028769	Locknut (5/16-18)	1	1
6		1039860	Screw, Hex Head Cap with Patch (5/16-18 x 3/4")	1	3
7		1028769	Locknut (5/16-18)	1	3
8		1050170	Hardware, Shock Mounting (Per Side)	1	1
9		1042445	Hardware, Rubber Element Mounting (Per Side)	1	1

NOTE: A - Not used when mounting shocks with group 24 batteries.

Shock Suspension Mounting Hardware

After 6/30/98, 2nd Generation



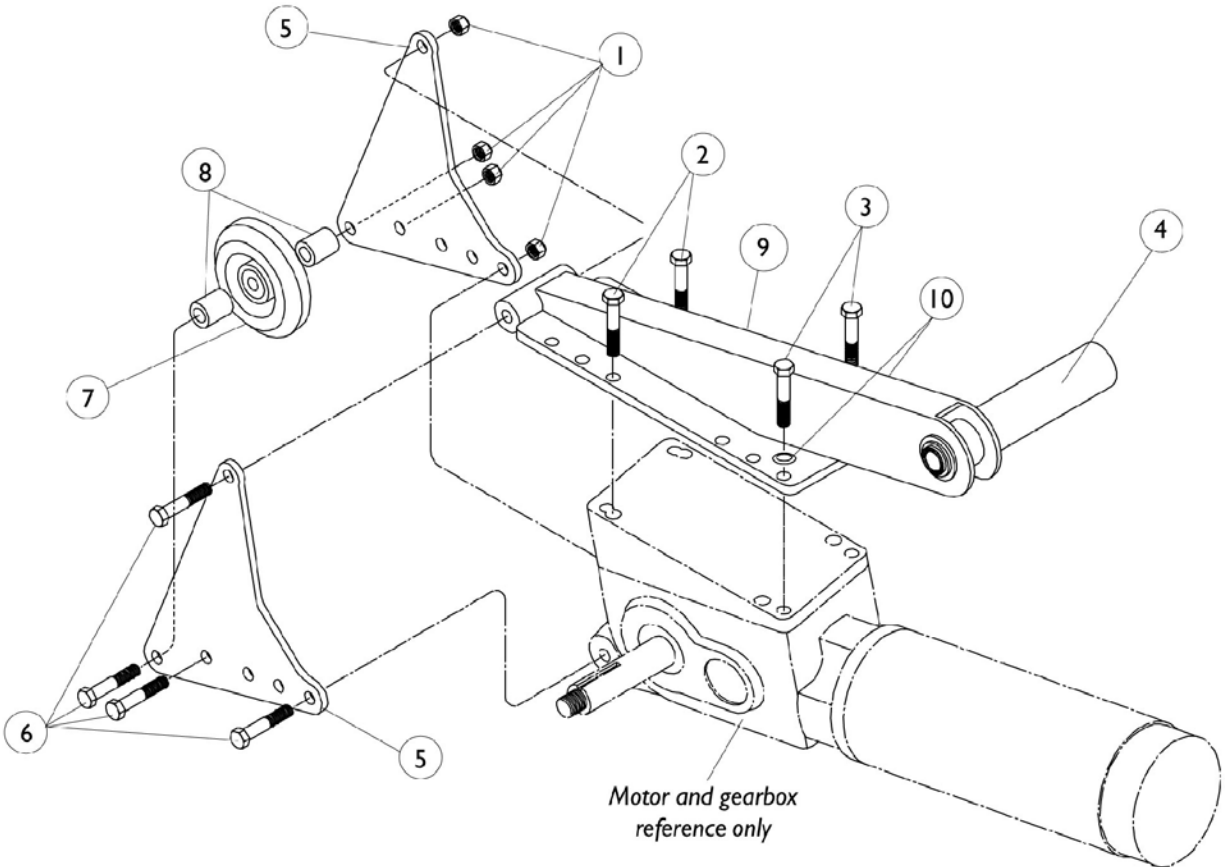
Shock Suspension Mounting Hardware After 6/30/98, 2nd Generation

Item Number	Note	Part Number	Description	Quantity Per	
				Package	Assembly
1	A	1043627	Screw, Hex Head Cap with Patch (5/16-18 x 1-3/4")	1	2
2		1049354	Bracket, Hanger, Black	1	1
3		1039649	Spacer (3/8 x 5/8 x 25/32")	1	1
4		1042486	Screw, Hex Head (5/16-18 x 2-3/4")	1	1
5		1028769	Locknut (5/16-18)	1	1
6		1039860	Screw, Hex Head Cap with Patch (5/16-18 x 3/4")	1	3
7		1028769	Locknut (5/16-18)	1	3
8		1050170	Hardware, Shock Mounting (Per Side)	1	1
9		1042445	Hardware, Rubber Element Mounting (Per Side)	1	1

NOTE: A - Not used when mounting shocks with group 24 batteries.

Suspension Arm and Anti-Tip Wheel

STORM ARROW and TORQUE
Before 7/1/98



Suspension Arm and Anti-Tip Wheel

STORM ARROW and TORQUE Before 7/1/98

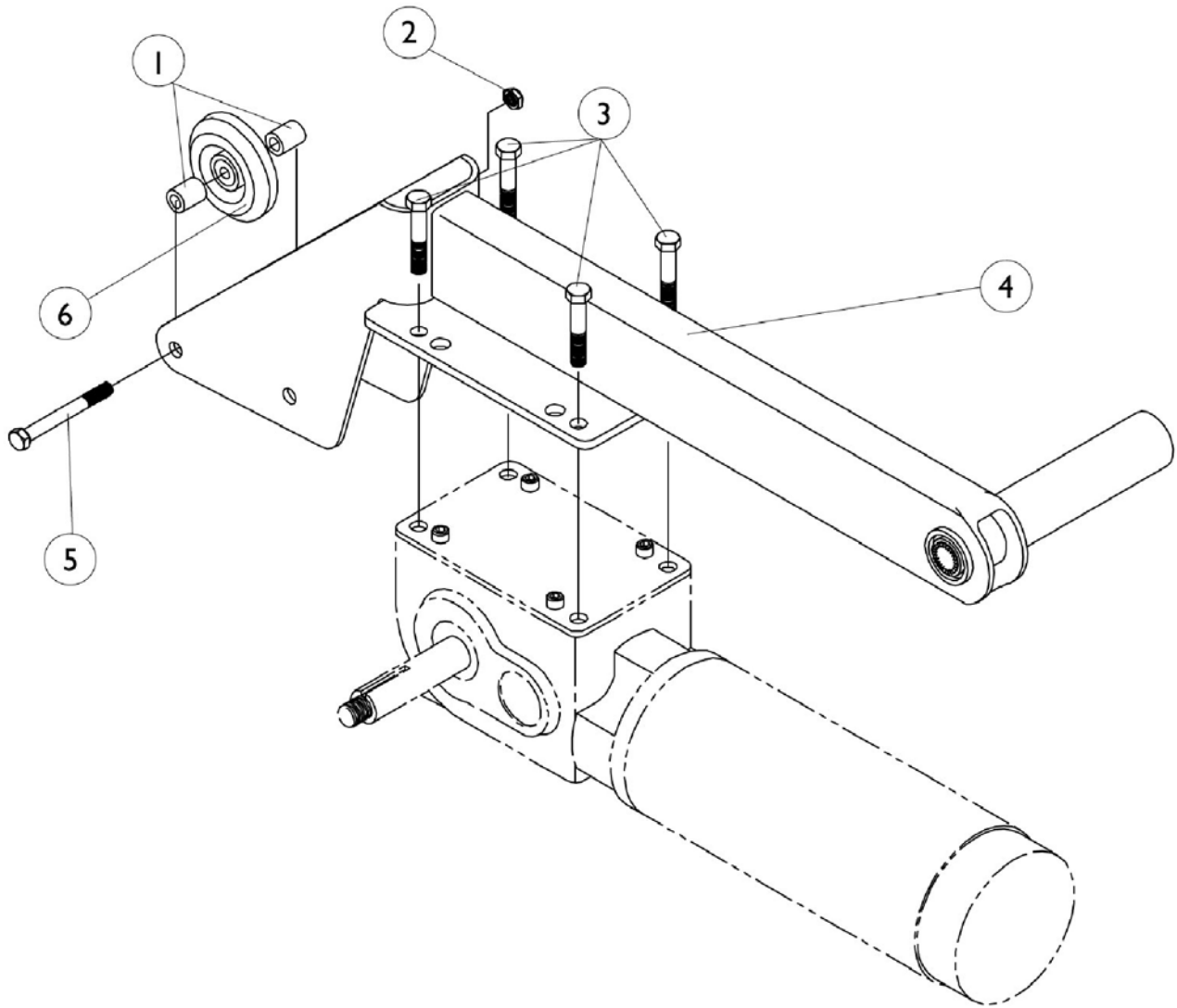
Item Number	Note	Part Number	Description	Quantity Per	
				Package	Assembly
1		1026158	Locknut (5/16-18)	1	4
2		1043628	Screw, Hex Head (5/16-18 x 2-1/2")	1	2
3		1104257	Screw, Hex Head (5/16-18 x 1-1/4")	1	2
4	A	1082604	Arm, Suspension w/ Warning Decal, Right	1	1
4	A	1082605	Arm, Suspension w/ Warning Decal, Left	1	1
4	B	1082606	Arm, Suspension w/ Warning Decal, Right	1	1
4	B	1082607	Arm, Suspension w/ Warning Decal, Left	1	1
5	A	1039714	Plate, Shock Mount, Standard	1	2
5	B	1039701	Plate, Shock Mount, Heavy Duty	1	2
6		1042486	Screw, Hex Head (5/16-18 x 2-3/4")	1	4
7		1032190	Wheel 3"	1	1
8		1039719	Spacer (5/16 x 9/16 x 1/2")	1	2
9		1053056	Decal, Warning	1	1
10		1023263	Washer, Internal Tooth (M8)	1	2

NOTE: A - Standard 250 lb. weight limit.
B - Heavy Duty 400 lb. weight limit.

Suspension Arm and Anti-Tip Wheel

STORM RANGER X

Before 7/1/98

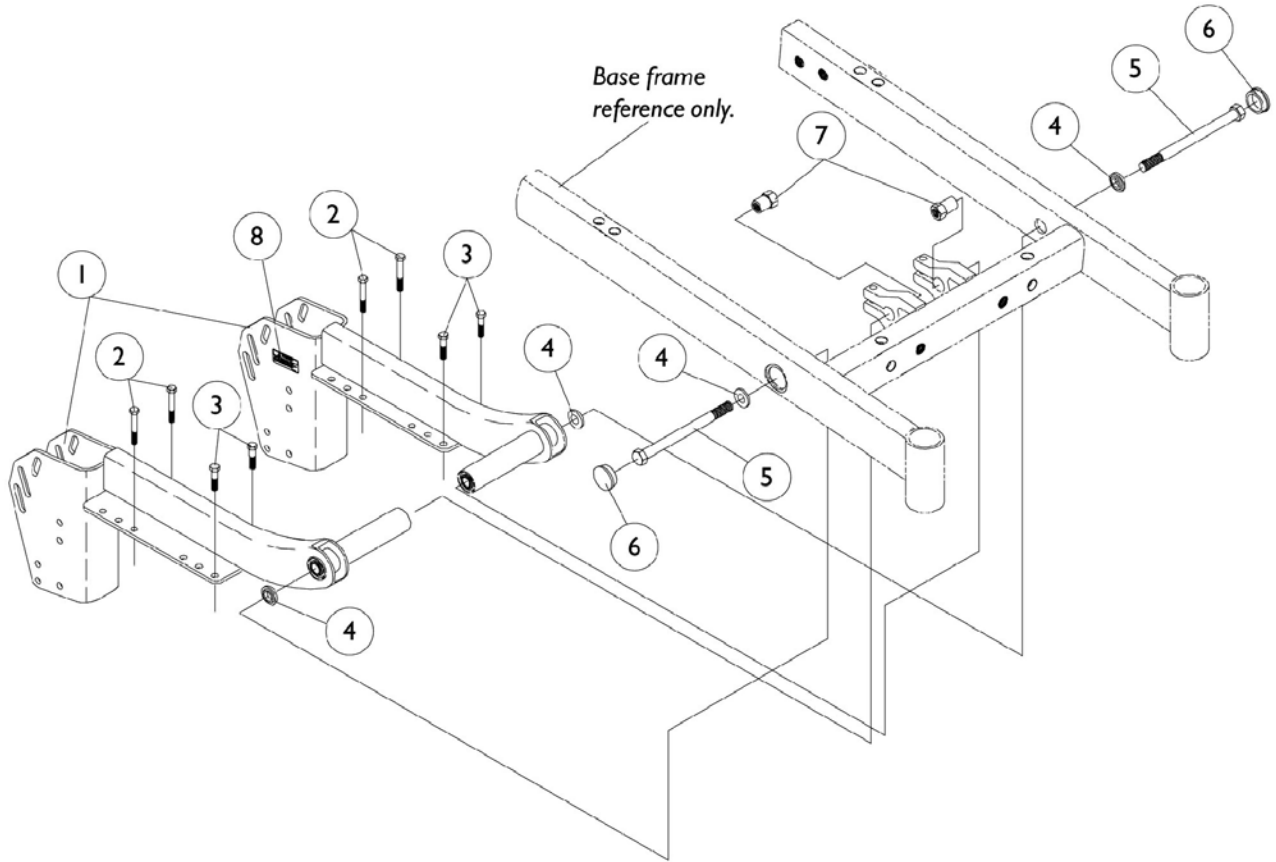


Suspension Arm and Anti-Tip Wheel STORM RANGER X Before 7/1/98

Item Number	Note	Part Number	Description	Quantity Per	
				Package	Assembly
1		1039719	Spacer (5/16 x 9/16 x 1/2")	1	2
2		1026158	Locknut (5/16-18)	1	4
3		1050161	Screw, Hex Head Cap with Patch (5/16-18 x 1")	1	2
4		1041492	Arm, Suspension, Right	1	1
4		1041493	Arm, Suspension, Left	1	1
5		1042486	Screw, Hex Head (5/16-18 x 2-3/4")	1	4
6		1032190	Wheel 3"	1	1

Suspension Arm

After 6/30/98, 2nd Generation



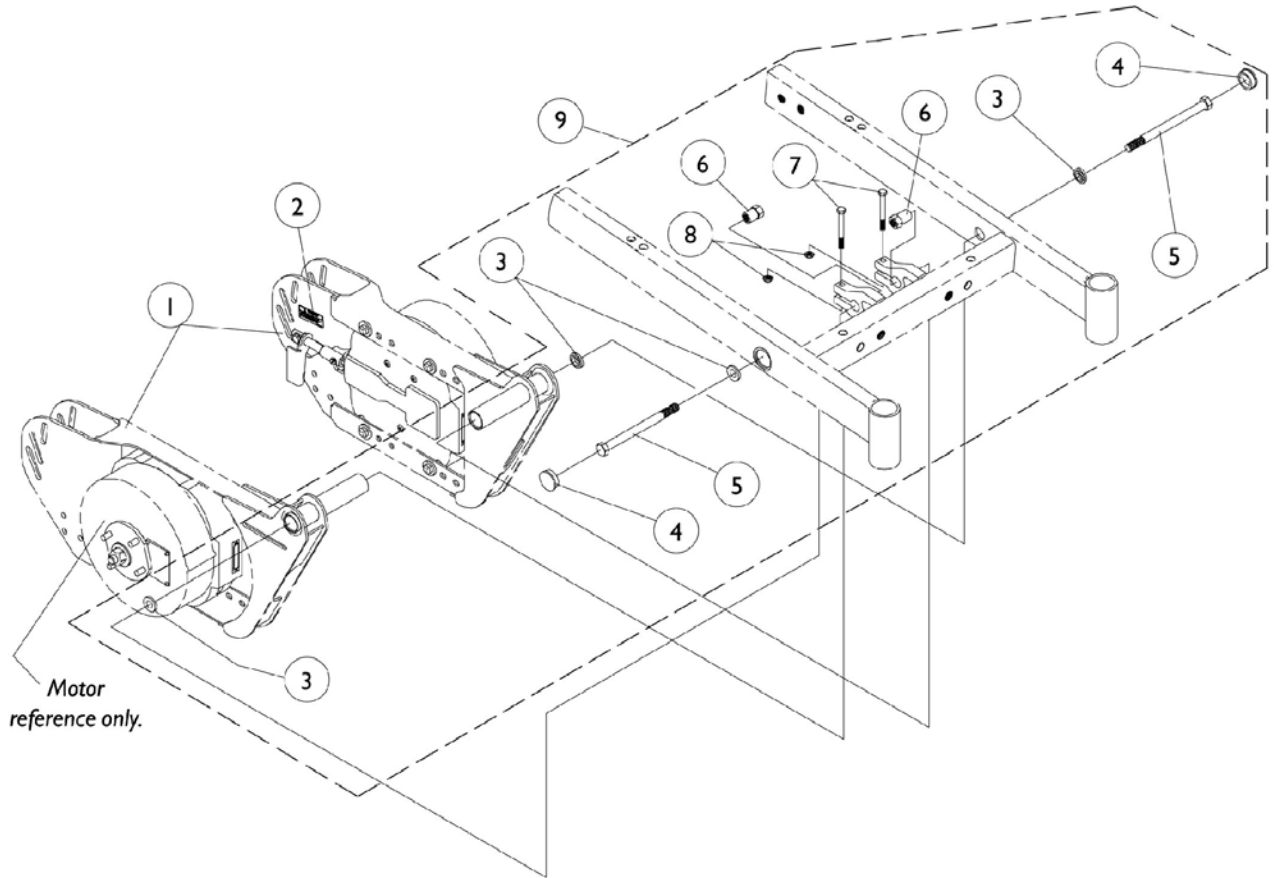
Suspension Arm

After 6/30/98, 2nd Generation

Item Number	Note	Part Number	Description	Quantity Per	
				Package	Assembly
1		1082602	Suspension Arm w/ Warning Decal - Right	1	1
1		1082603	Suspension Arm w/ Warning Decal - Left	1	1
2		1043628	Screw, Hex Head (5/16-18 x 2-1/2")	1	4
3		7930337	Screw, Hex Head Cap with Patch (5/16-18 x 1-1/4")	25	4
4		1039684	Washer (1/2" I.D. x 7/8" O.D.)	1	4
5		1039682	Screw, Hex Head (1/2-20 x 7")	1	2
6		1038353	Cap, Caster Headtube	1	2
7		1039683	Nut, Shoulder (1/2-20)	1	2
8		1053056	Decal, Warning	1	2

Suspension Arm and Mounting Hardware Gearless/ Brushless

NOTE: Gearless/ Brushless motors were made available on-chair as an option for Storm Arrow and Ranger X 4/1/99. On 7/1/99 Gearless/ Brushless motors became standard for Storm Arrow only.



Suspension Arm and Mounting Hardware Gearless/ Brushless

NOTE: Gearless/ Brushless motors were made available on-chair as an option for Storm Arrow and Ranger X 4/1/99. On 7/1/99 Gearless/ Brushless motors became standard for Storm Arrow only.

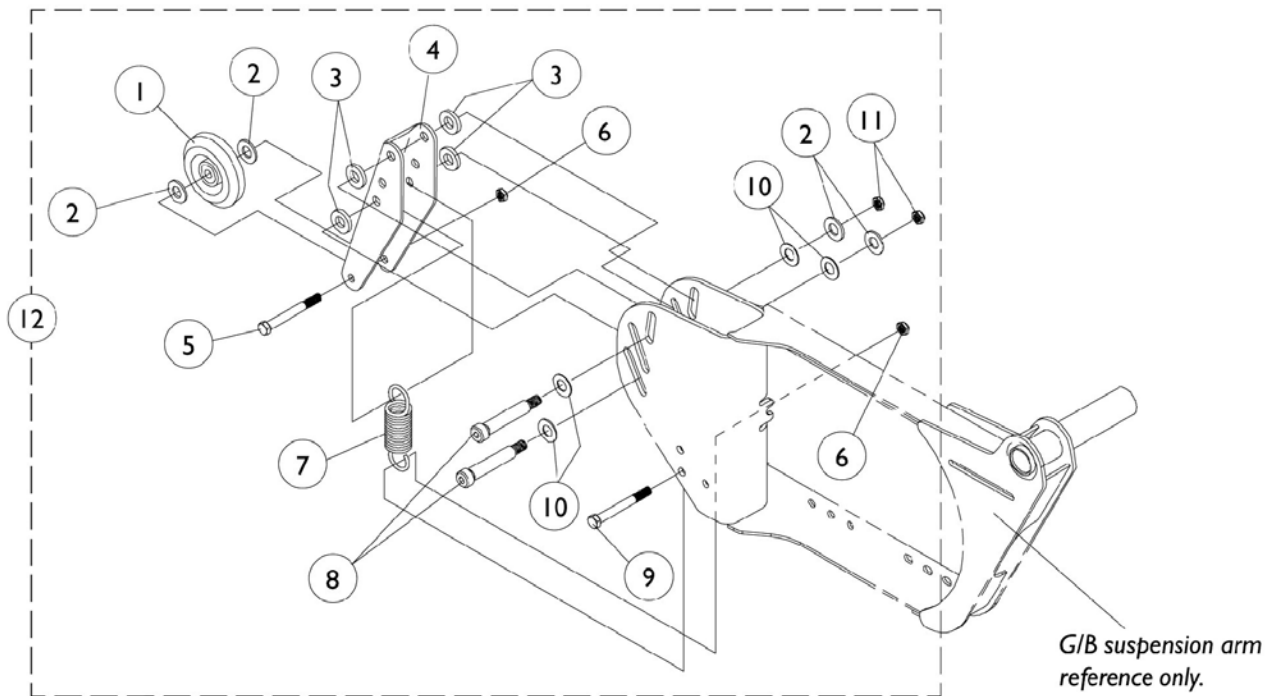
Item Number	Note	Part Number	Description	Quantity Per	
				Package	Assembly
1		1080650	Suspension Arm with Warning Decal (G/B) - Right	1	1
1		1080651	Suspension Arm with Warning Decal (G/B) - Left	1	1
2		1053056	Decal, Warning	1	1
9	A	1078243	Kit, Suspension Arm Mounting Hardware	2	1
3			Washer (1/2" I.D. x 7/8" O.D.)	1	4
4			Cap, Caster Headtube	1	2
5			Screw, Hex Head (1/2-20 x 7")	1	2
6			Nut, Shoulder (1/2-20)	1	2
7			Screw, Hex Head (5/16-18 x 2")	1	2
8			Locknut (5/16-18)	1	2

NOTE: A - Includes items 3-8

Anti-Tip Wheel Assembly

Gearless/ Brushless

NOTE: Gearless/ Brushless motors were made available on-chair as an option for Storm Arrow and Ranger X 4/1/99. On 7/1/99 Gearless/ Brushless motors became standard for Storm Arrow only.



Anti-Tip Wheel Assembly Gearless/ Brushless

NOTE: Gearless/ Brushless motors were made available on-chair as an option for Storm Arrow and Ranger X 4/1/99. On 7/1/99 Gearless/ Brushless motors became standard for Storm Arrow only.

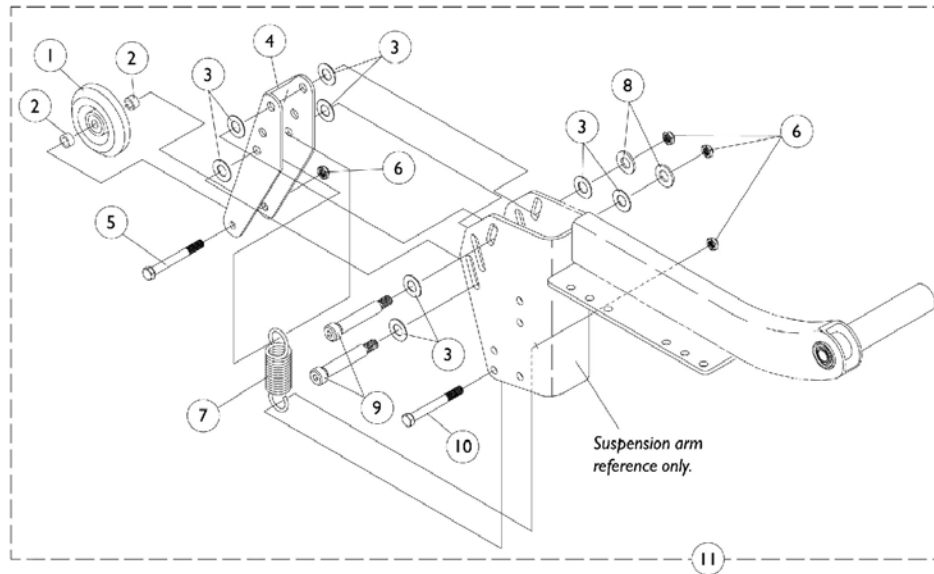
Item Number	Note	Part Number	Description	Quantity Per	
				Package	Assembly
1		1032190	Wheel 3"	1	2
2		1025704	Washer, Flat (5/16 x 5/8 x 1/16")	1	8
3		1078208	Washer, Nylon (25/64 x 23/32 x 19/64")-Black	1	8
4		1079239	Bracket, Anti-Tipper	1	2
5		1044939	Screw, Hex Head (5/16-18 x 1-3/4")	1	2
6		1028769	Locknut (5/16-18)	1	4
7		1070382	Spring, Extension	1	2
8		1070411	Bolt, Shoulder (3/8 x 2-1/2")	1	4
9		1042486	Screw, Hex Head (5/16-18 x 2-3/4")	1	2
10		1049527	Washer, Nylon (3/8 x 3/4 x 1/16")	1	8
11		1026158	Locknut (5/16-18)	1	4
12	A	1078244	Anti-Tip Assembly, Active 3" GB (Pair)	1	1

NOTE: A - Includes items 1-11.

Anti-Tip Wheel Assembly

Non-Vent Tray Option Only

After 6/30/98, 2nd Generation

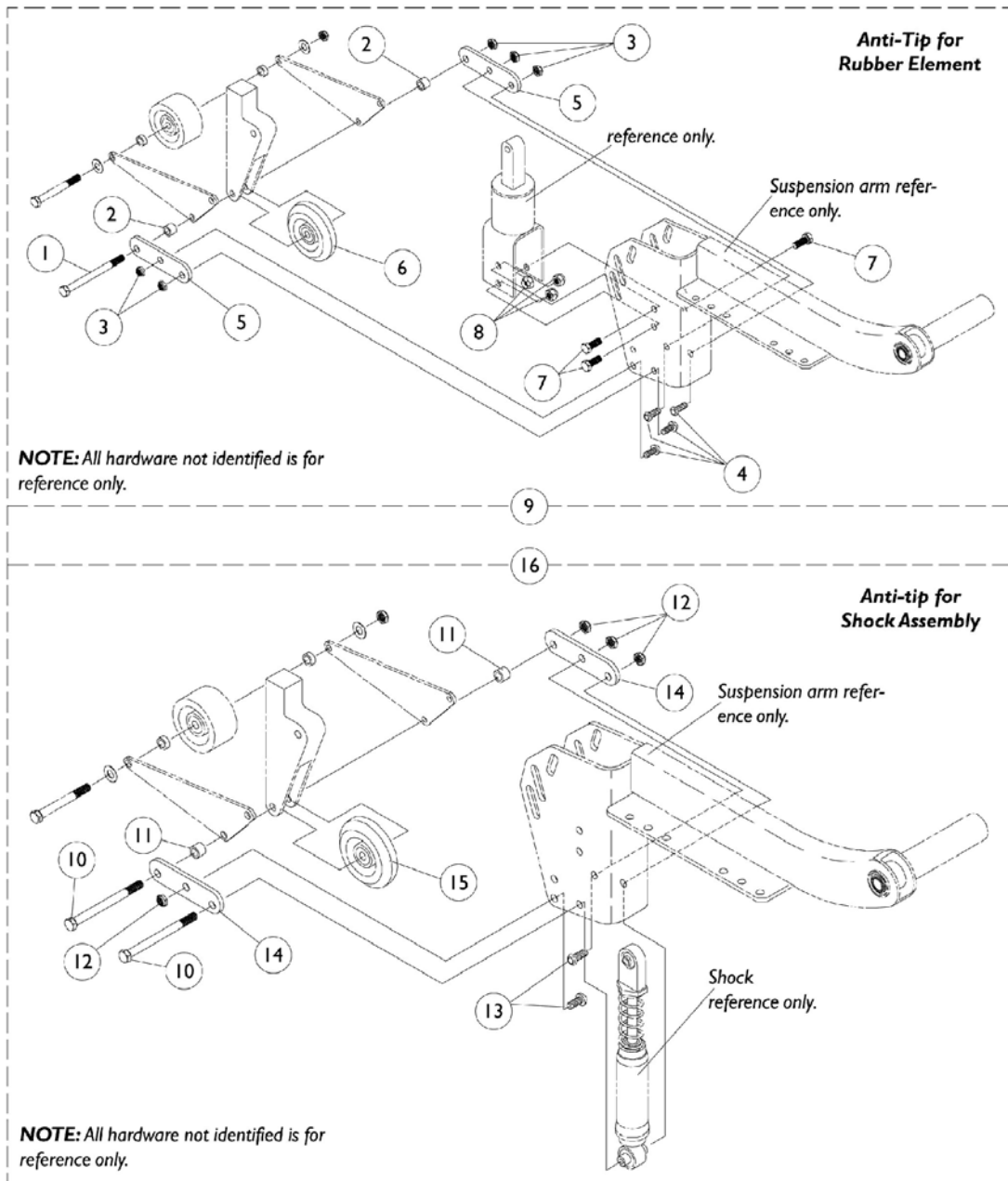


Item Number	Note	Part Number	Description	Quantity Per	
				Package	Assembly
1		1032190	Wheel 3"	1	2
2		1070413	Spacer (21/64 x 1/2 x 17/64")	1	4
3		1012371	Washer, Nylon (3/8 x 7/8 x 1/16")	1	16
4		1070410-NLA	Bracket, Anti-Tipper, Black	1	2
5		1070412	Screw, Hex Head (5/16-18 x 2-1/4")	1	2
6		1026158	Locknut (5/16-18)	1	8
7		1070382	Spring, Extension	1	2
8		1025704	Washer, Flat (5/16 x 5/8 x 1/16")	1	4
9		1070411	Bolt, Shoulder (3/8 x 2-1/2")	1	4
10		1042486	Screw, Hex Head (5/16-18 x 2-3/4")	1	2
11		1070409	Anti-Tip Assembly, Active 3" (Pair)	2	1

Anti-Tip Wheel Extension Assembly

Vent Tray Option Only

After 6/30/98, 2nd Generation



Anti-Tip Wheel Extension Assembly

Vent Tray Option Only

After 6/30/98, 2nd Generation

Anti-Tip For Rubber Element

Item Number	Note	Part Number	Description	Quantity Per	
				Package	Assembly
1		1070397	Screw, Hex Head (5/16-18 x 3-1/4")	1	2
2		1079782	Spacer (21/64 x 1/2 x 3/8")	1	4
3		1026158	Locknut (5/16-18)	1	10
4		1065215	Screw, Socket Button Head w/ Patch (5/16-18 x 3/4")	1	8
5		1079778	Bracket, Extension, Black	1	4
6		1032190	Wheel 3"	1	2
7		1039860	Screw, Hex Head Cap with Patch (5/16-18 x 3/4")	1	6
8		1028769	Locknut (5/16-18)	1	6
9		1079780	Anti-tip Extension Assembly	2	1

ANTI-TIP FOR SHOCK ASSEMBLY

Item Number	Note	Part Number	Description	Quantity Per	
				Package	Assembly
10		1070397	Screw, Hex Head (5/16-18 x 3-1/4")	1	4
11		1079782	Spacer (21/64 x 1/2 x 3/8")	1	4
12		1026158	Locknut (5/16-18)	1	8
13		1065215	Screw, Socket Button Head w/ Patch (5/16-18 x 3/4")	1	4
14		1079778	Bracket, Extension, Black	1	4
15		1032190	Wheel 3"	1	2
16		1079781	Anti-Tip Extension Assembly	2	1

Heavy Duty Conversion Kit

NOTE: Retrofit kit can only be used when converting a Storm Arrow (Standard) to a Storm Arrow (Heavy Duty) using 2nd generation suspension arms and anti-tippers.

Kit Part Number 1080179

Part Number	Description Kit includes the following:
1080177-NLA	Suspension Arm/Anti-Tip Assembly (Pair)
1070439-NLA	Gearbox, Right, Heavy Duty
1070440-NLA	Gearbox, Left, Heavy Duty
1039660	Shock Assembly, Heavy Duty
1080178	Instruction Sheet

NOTE: This kit applies to chairs with the following rear wheels and hub mountings:

14 x 3 and 14 x 4 (free wheeling hub mounts)

14 x 4 (non-free wheeling hub mounts).

NOTE: Overall chair width will increase by 3/8".

NOTE: Chairs with 6" or 8" casters will require a (Standard) 9" fork and caster assembly.

Kit Part Number 1080180

Part Number	Description Kit includes the following:
1070417-NLA	Non-Free Wheeling Hub Assembly
1080177-NLA	Suspension Arm/Anti-Tip Assembly (Pair)
1070439-NLA	Gearbox, Right, Heavy Duty
1070440-NLA	Gearbox, Left, Heavy Duty
1039660	Shock Assembly, Heavy Duty
1080178	Instruction Sheet

NOTE: This kit applies to chairs with (14 x 3 non-free wheeling hub mounts).

NOTE: Overall chair width will not change.

NOTE: Chairs with 6" or 8" casters will require a (Standard) 9" fork and caster assembly.

Motor and Gearbox Assembly Reference Chart

Before 7/1/98, 1st Generation (2-Pole Motor/Gearbox Assembly)

Before 9/1/96

Arrow & Torque Right	Arrow & Torque Left	Arrow H.D. Right	Arrow H.D. Left	RX Right	RX Left	RX-H.S.M. Right	RX-H.S.M. Left
1039661	1039662	N/A	N/A	1041509-NLA	1041510-NLA	1050167	1050168

Before 7/1/98, 1st Generation (2-Pole Motor/ Gearbox Assembly)

9/1/96 Thru 6/30/98

Arrow & Torque Right	Arrow & Torque Left	Arrow H.D. Right	Arrow H.D. Left	RX Right	RX Left	RX-H.S.M. Right	RX-H.S.M. Left
1060367-NLA	1060368-NLA	N/A	N/A	1064117	1064118	1064119	1064120-NLA

NOTE: Torque and Storm Jr.- Discontinued 3/31/98.

After 6/30/98, 2nd Generation (2-Pole Motor/ Gearbox Assembly)

7/1/98 Thru 8/31/98

Arrow Right	Arrow Left	Arrow H.D. Right	Arrow H.D. Left
1070441-NLA	1070442-NLA	1070414-NLA	1070415-NLA

After 6/30/98, 2nd Generation (2-Pole Motor/ Gearbox Assembly)

6/30/98 Thru 9/14/98

RX Right	RX Left	RX-H.S.M. Right	RX-H.S.M. Left
1070437-NLA	1070438-NLA	1070441-NLA	1070442-NLA

Motor and Gearbox Assembly Reference Chart

After 8/31/98 (4 Pole Motor/ Gearbox Assembly)

After 8/31/98

Arrow Right	Arrow Left	Arrow Refurbished Right	Arrow Refurbished Left	Arrow H.D. After 10/22/98 Right	Arrow H.D. After 10/22/98 Left	Arrow H.D. Refurbished Right	Arrow H.D. Refurbished Left
1085951 See Note(s) A	1085952 See Note(s) A	1085951E	1085952E	1086215 See Note(s) A	1086216 See Note(s) A	N/A	N/A
NOTE: A - As of May 2008, the Metal Motor End Cap will be replaced with a Composite Motor End Cap. The change does not affect form, fit, function or aesthetics.							

After 8/31/98 (4 Pole Motor/ Gearbox Assembly)

After 9/14/98

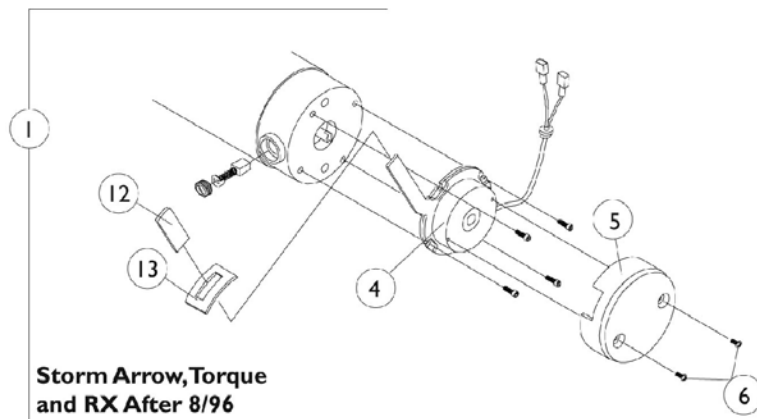
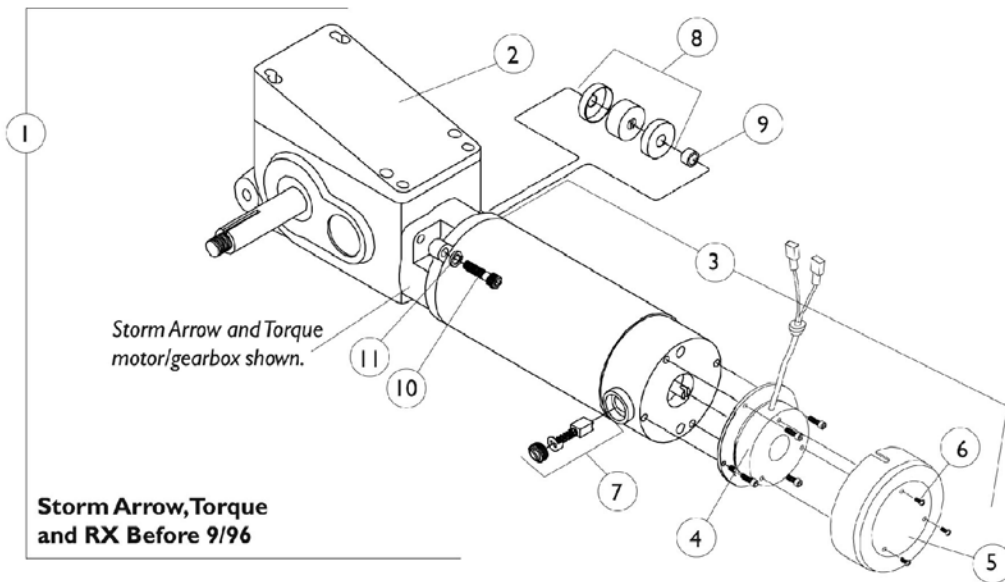
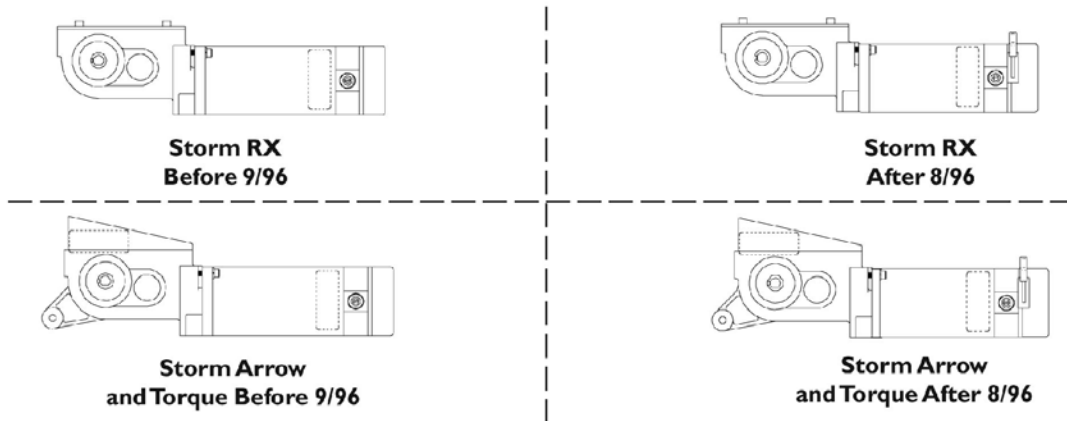
RX Right	RX Left	RX Refurbished Right	RX Refurbished Left	RX- H.S.M. Right	RX- H.S.M. Left	RX- H.S.M. Refurbished Right	RX- H.S.M. Refurbished Left
1085951 See Note(s) A	1085952 See Note(s) A	1085951E	1085952E	N/A	N/A	N/A	N/A
NOTE: A - As of May 2008, the Metal Motor End Cap will be replaced with a Composite Motor End Cap. The change does not affect form, fit, function or aesthetics.							

Gearless/ Brushless Motors

G/ B Direct Drive

Right	Left	Refurbished Right	Refurbished Left
1115508	1115508	1115509	1115509
NOTE: Gearless/ Brushless motors for Storm Arrow and RX became Optional, On-Chair Between 4/11/99 Thru 6/30/99, Standard, On-Chair After 6/30/99.			

2-Pole Motor and Gearboxes Before 7/1/98 1st Generation



2-Pole Motor and Gearboxes
Before 7/1/98 1st Generation
Before 9/1/96 Storm Arrow & Torque

Item Number	Description	Storm Arrow and Torque Right	Storm Arrow and Torque Left
1	Motor/ Gearbox	1039661	1039662
2	Gear Box	1039760-NLA	1039761
3	Motor Assembly	1039758	1039759
3	Motor Asbly (Refurbished)	1039758E	1039759E
4	Brake Repair Kit	1050303 See Note(s) A	1050303 See Note(s) A
5	Brake Cover 4 Hole Before 8/1/95	1044047-NLA See Note(s) A	1044047-NLA See Note(s) A
5	Brake Cover 3 Hole After 7/31/95	1050304 See Note(s) A	1050304 See Note(s) A
6	Screw (4-40 x 1/4")	1050305	1050305
7	Brushes w/Caps (S) (Pair)	1044044 See Note(s) B	1044044 See Note(s) B
7	Brushes w/Caps (HD) (Pair)	1064336 See Note(s) B	1064336 See Note(s) B
8.	Coupling w/ Cup (1" Diameter)	5165204-NLA See Note(s) C	5165204-NLA See Note(s) C
8	Coupling w/ Cup (1-5/16" Diameter)	50000X007 See Note(s) D	50000X007 See Note(s) D
9	Spacer	50000X341-NLA	50000X341-NLA
10	Screw (1/4-20 x 1-1/8")	1043594	1043594
11	Lockwasher	10502X001	10502X001

NOTE: A - Replacing brakes for chairs made before 8/1/95 require a 3-hole brake cover to replace the existing 4-hole cover. This change may have already been done. Verify with the Customer which brake cover is present.
B - Motors with date code 1996 on the motor label (19 being the week of the year) will use (HD) Brushes. Motors with date code of 1996 or before use (S) Brushes.
C - Coupling with Cup for chairs manufactured before 11/12/01 - Use part # 50000X007 as a direct replacement part.
D - After 11/11/01 Coupling with Cup was resized from approximately 1" to 1-5/16" diameter and can be used as a direct replacement for part number 5165204

2-Pole Motor and Gearboxes

Before 7/1/98 1st Generation

Before 9/1/96 Storm RX

Item Number	Description	Storm RX Right	Storm RX Left
1	Motor/ Gearbox	1041509-NLA	1041510-NLA
2	Gear Box	1050164	1050165-NLA
3	Motor Assembly	1050162-NLA	1050163
3	Motor Asbly (Refurbished)	1050162E	1050163E
4	Brake Repair Kit	1050303 See Note(s) A	1050303 See Note(s) A
5	Brake Cover 4 Hole Before 8/1/95	1044047-NLA See Note(s) A	1044047-NLA See Note(s) A
5	Brake Cover 3 Hole After 7/31/95	1050304 See Note(s) A	1050304 See Note(s) A
6	Screw (4-40 x 1/4")	1050305	1050305
7	Brushes w/Caps (S) (Pair)	1044044 See Note(s) B	1044044 See Note(s) B
7	Brushes w/Caps (HD) (Pair)	1064336 See Note(s) B	1064336 See Note(s) B
8.	Coupling w/ Cup (1" Diameter)	5165204-NLA See Note(s) C	5165204-NLA See Note(s) C
8	Coupling w/ Cup (1-5/16" Diameter)	50000X007 See Note(s) D	50000X007 See Note(s) D
9	Spacer	50000X341-NLA	50000X341-NLA
10	Screw (1/4-20 x 1-1/8")	1043594	1043594
11	Lockwasher	10502X001	10502X001
<p>NOTE: A - Replacing brakes for chairs made before 8/1/95 require a 3-hole brake cover to replace the existing 4-hole cover. This change may have already been done. Verify with the Customer which brake cover is present.</p> <p>B - Motors with date code 1996 on the motor label (19 being the week of the year) will use (HD) Brushes. Motors with date code of 1996 or before use (S) Brushes.</p> <p>C - Coupling with Cup for chairs manufactured before 11/12/01 - Use part # 50000X007 as a direct replacement part.</p> <p>D - After 11/11/01 Coupling with Cup was resized from approximately 1" to 1-5/16" diameter and can be used as a direct replacement for part number 5165204</p>			

2-Pole Motor and Gearboxes
Before 7/1/98 1st Generation
Before 9/1/96 Storm RX w/ H.S.M. Option

Item Number	Description	Storm RX w/ H.S.M. Option Right	Storm RX w/ H.S.M. Option Left
1	Motor/ Gearbox	1050167	1050168
2	Gear Box	1050164	1050165-NLA
3	Motor Assembly	1039758	1039759
3	Motor Asbly (Refurbished)	1039758E	1039759E
4	Brake Repair Kit	1050303 See Note(s) A	1050303 See Note(s) A
5	Brake Cover 4 Hole Before 8/1/95	1044047-NLA See Note(s) A	1044047-NLA See Note(s) A
5	Brake Cover 3 Hole After 7/31/95	1050304 See Note(s) A	1050304 See Note(s) A
6	Screw (4-40 x 1/4")	1050305	1050305
7	Brushes w/Caps (S) (Pair)	1044044 See Note(s) B	1044044 See Note(s) B
7	Brushes w/Caps (HD) (Pair)	1064336 See Note(s) B	1064336 See Note(s) B
8.	Coupling w/ Cup (1" Diameter)	5165204-NLA See Note(s) C	5165204-NLA See Note(s) C
8	Coupling w/ Cup (1-5/16" Diameter)	50000X007 See Note(s) D	50000X007 See Note(s) D
9	Spacer	50000X341-NLA	50000X341-NLA
10	Screw (1/4-20 x 1-1/8")	1043594	1043594
11	Lockwasher	10502X001	10502X001

NOTE: A - Replacing brakes for chairs made before 8/1/95 require a 3-hole brake cover to replace the existing 4-hole cover. This change may have already been done. Verify with the Customer which brake cover is present.
B - Motors with date code 1996 on the motor label (19 being the week of the year) will use (HD) Brushes. Motors with date code of 1996 or before use (S) Brushes.
C - Coupling with Cup for chairs manufactured before 11/12/01 - Use part # 50000X007 as a direct replacement part.
D - After 11/11/01 Coupling with Cup was resized from approximately 1" to 1-5/16" diameter and can be used as a direct replacement for part number 5165204

2-Pole Motor and Gearboxes Before 7/1/98 1st Generation

9/1/96 Thru 6/30/98 Storm Arrow & Torque

Item Number	Description	Storm Arrow and Torque Right	Storm Arrow and Torque Left
1	Motor Gearbox	1060367-NLA See Note(s) A	1060368-NLA See Note(s) A
2	Gear Box	1039760-NLA	1039761
3	Motor Assembly	1070507-NLA See Note(s) E2, A, E, E1	1070508-NLA See Note(s) E2, E1, A, E
3	Motor Assembly (Refurbished)	1070507E-NLA See Note(s) E2, E1, E, A	1070508E-NLA See Note(s) E2, E1, A, E
4	Brake Repair Kit	1064112	1064111
5	Brake Cover w/Screws	1064113-NLA	1064114-NLA
6	Screw (#4-40 x 1/4")	1050305	1050305
7	Brushes w/Caps (Pair)	1064336	1064336
8	Coupling w/ Cup (1" Diameter)	5165204-NLA See Note(s) C	5165204-NLA See Note(s) C
8	Coupling w/ Cup (1-5/16" Diameter)	50000X007 See Note(s) D	50000X007 See Note(s) D
9	Spacer	50000X341-NLA See Note(s) B	50000X341-NLA See Note(s) B
10	Screw (1/4-20 x 1-1/8")	1043594	1043594
11	Lockwasher	10502X001	10502X001
12	Plastic Tip	1006490	1006490
13	Slotted Plate	1057972-NLA	1057972-NLA

NOTE: A - Motors will not work with controllers before 96G. See reconditioned controller.
 B - Spacer not used on motors after 11/16/97.
 C - Coupling with Cup for chairs manufactured before 11/12/01 - Use part # 50000X007 as a direct replacement.
 D - After 11/11/01 Coupling with Cup was resized from approximately 1" to 1-5/16" diameter and can be used as a direct replacement for part number 5165204
 E - No Longer Available (NLA). Convert to a right and left 4-Pole Motor/Gearbox Assembly part #'s 1085951 & 1085952
 E1 - The following components will also be required for chairs manufactured before 7/1/98, (1 ea. part# 1070409 Spring Loaded Anti-Tippers), (1 ea. part# 1082602 & 1082603 RT/LT 2G Suspension Arm, 4 ea. of part# 1043628 & 1043629 Screws),
 E2 - The MKIV Controller needs to be upgraded if manufactured before June of 1996 - Serial # 8496F674 - and has not been repaired since then. See MKIV Controller page for part number

NOTE: Storm Torque and Storm Jr. discontinued 3/31/98.

2-Pole Motor and Gearboxes
Before 7/1/98 1st Generation
9/1/96 Thru 6/30/98 Storm RX

Item Number	Description	Storm RX Right	Storm RX Left
1	Motor Gearbox	1064117 See Note(s) A	1064118 See Note(s) A
2	Gear Box	1050164	1050165-NLA
3	Motor Assembly	1070505 See Note(s) A	1070506 See Note(s) A
3	Motor Assembly (Refurbished)	1070505E-NLA See Note(s) A	1070506E See Note(s) A
4	Brake Repair Kit	1064112	1064111
5	Brake Cover w/Screws	1064113-NLA	1064114-NLA
6	Screw (#4-40 x 1/4")	1050305	1050305
7	Brushes w/Caps (Pair)	1064336	1064336
8	Coupling w/ Cup (1" Diameter)	5165204-NLA See Note(s) C	5165204-NLA See Note(s) C
8	Coupling w/ Cup (1-5/16" Diameter)	50000X007 See Note(s) D	50000X007 See Note(s) D
9	Spacer	50000X341-NLA See Note(s) B	50000X341-NLA See Note(s) B
10	Screw (1/4-20 x 1-1/8")	1043594	1043594
11	Lockwasher	10502X001	10502X001
12	Plastic Tip	1006490	1006490
13	Slotted Plate	1057972-NLA	1057972-NLA

NOTE: A - Motors will not work with controllers before 96G. See reconditioned controller.
B - Spacer not used on motors after 11/16/97.
C - Coupling with Cup for chairs manufactured before 11/12/01 - Use part # 50000X007 as a direct replacement.
D - After 11/11/01 Coupling with Cup was resized from approximately 1" to 1-5/16" diameter and can be used as a direct replacement for part number 5165204

2-Pole Motor and Gearboxes Before 7/1/98 1st Generation

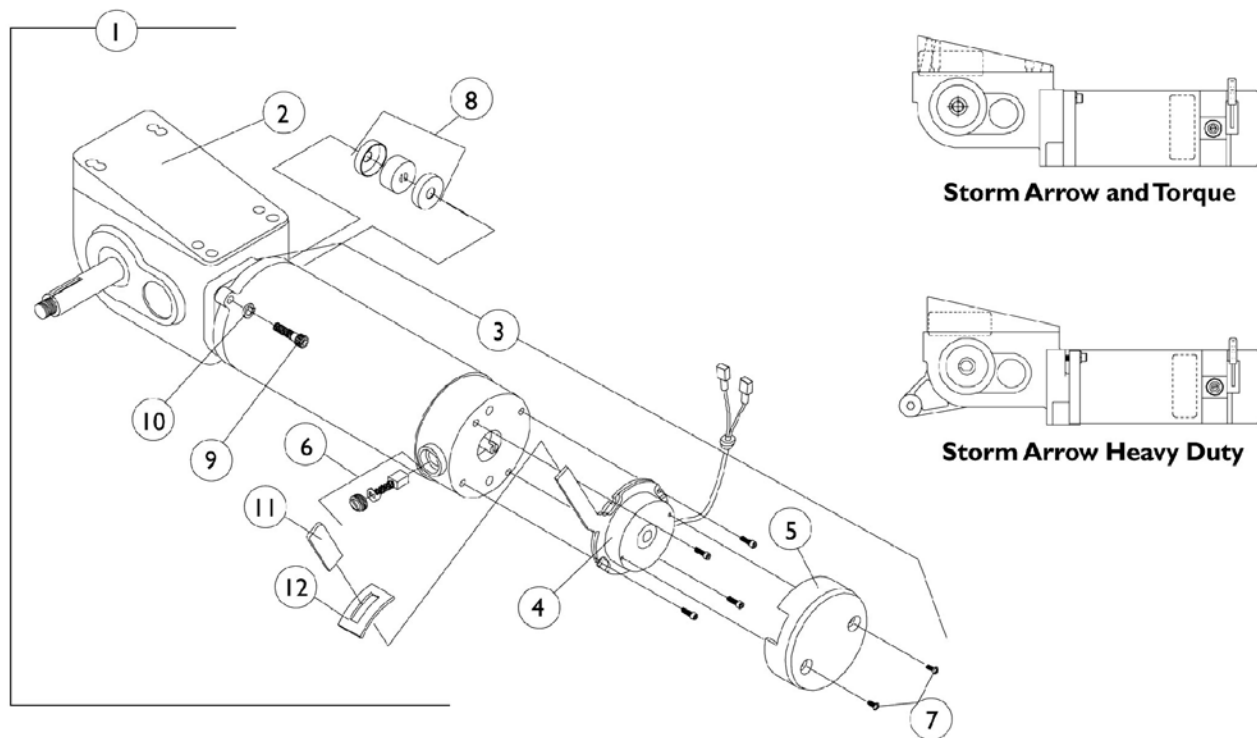
9/1/96 Thru 6/30/98 Storm RX w/ H.S.M. Option

Item Number	Description	Storm RX w/ H.S.M. Option Right	Storm RX w/ H.S.M. Option Left
1	Motor Gearbox	1064119 See Note(s) A	1064120-NLA See Note(s) A
2	Gear Box	1050164	1050165-NLA
3	Motor Assembly	1070507-NLA See Note(s) E2, E1, E, A	1070508-NLA See Note(s) E2, A, E, E1
3	Motor Assembly (Refurbished)	1070507E-NLA See Note(s) E2, E1, E, A	1070508E-NLA See Note(s) E2, A, E, E1
4	Brake Repair Kit	1064112	1064111
5	Brake Cover w/Screws	1064113-NLA	1064114-NLA
6	Screw (#4-40 x 1/4")	1050305	1050305
7	Brushes w/Caps (Pair)	1064336	1064336
8	Coupling w/ Cup (1" Diameter)	5165204-NLA See Note(s) C	5165204-NLA See Note(s) C
8	Coupling w/ Cup (1-5/16" Diameter)	50000X007 See Note(s) D	50000X007 See Note(s) D
9	Spacer	50000X341-NLA See Note(s) B	50000X341-NLA See Note(s) B
10	Screw (1/4-20 x 1-1/8")	1043594	1043594
11	Lockwasher	10502X001	10502X001
12	Plastic Tip	1006490	1006490
13	Slotted Plate	1057972-NLA	1057972-NLA

NOTE: A - Motors will not work with controllers before 96G. See reconditioned controller.
 B - Spacer not used on motors after 11/16/97.
 C - Coupling with Cup for chairs manufactured before 11/12/01 - Use part # 50000X007 as a direct replacement.
 D - After 11/11/01 Coupling with Cup was resized from approximately 1" to 1-5/16" diameter and can be used as a direct replacement for part number 5165204
 E - No Longer Available (NLA). Convert to a right and left 4-Pole Motor/Gearbox Assembly part #'s 1085951 & 1085952
 E1 - The following components will also be required for chairs manufactured before 7/1/98, (1 ea. part# 1070409 Spring Loaded Anti-Tippers), (1 ea. part# 1082602 & 1082603 RT/LT 2G Suspension Arm, 4 ea. of part# 1043628 & 1043629 Screws),
 E2 - The MKIV Controller needs to be upgraded if manufactured before June of 1996 - Serial # 8496F674 - and has not been repaired since then. See MKIV Controller page for part number

2-Pole Motor and Gearboxes

After 6/30/98 2nd Generation



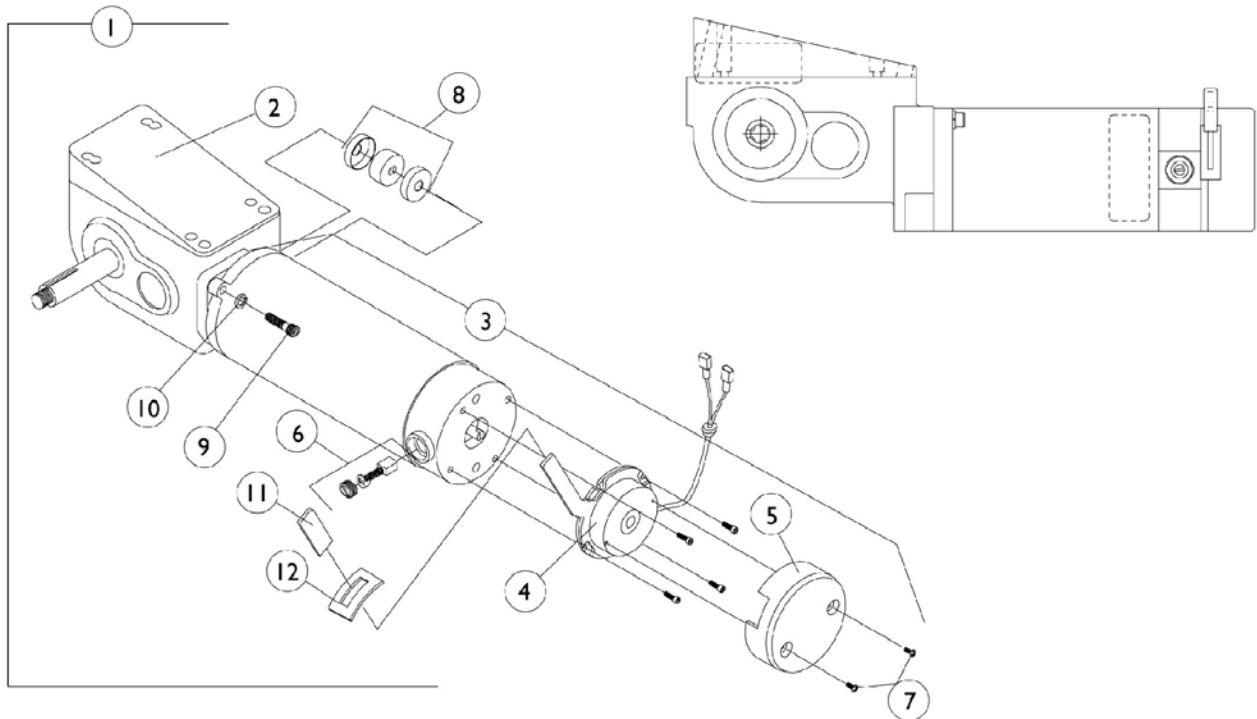
2-Pole Motor and Gearboxes After 6/30/98 2nd Generation Storm Arrow

Item Number	Description	Storm Arrow 7/1/98 Thru 8/31/98 Right	Storm Arrow 7/1/98 Thru 8/31/98 Left	Storm Arrow Heavy Duty Before 10/23/98 Right	Storm Arrow Heavy Duty Before 10/23/98 Left
1	Motor Gearbox	1070441-NLA See Note(s) E, A	1070442-NLA See Note(s) E, A	1070414-NLA See Note(s) F, B	1070415-NLA See Note(s) F, B
2	Gear Box	1070460-NLA See Note(s) E, A	1070461-NLA See Note(s) E, A	1070439-NLA See Note(s) F, B	1070440-NLA See Note(s) F, B
3	Motor Assembly	1070507-NLA See Note(s) E, A	1070508-NLA See Note(s) E, A	1070507-NLA See Note(s) F, B	1070508-NLA See Note(s) F, B
3	Motor Assembly (Refurbished)	1070507E-NLA See Note(s) E, A	1070508E-NLA See Note(s) E, A	1070507E-NLA See Note(s) F, B	1070508E-NLA See Note(s) F, B
4	Brake Repair Kit	1064112 See Note(s) A	1064111 See Note(s) A	1064112 See Note(s) B	1064111 See Note(s) B
5	Brake Cover w/Screws	1064113-NLA See Note(s) A	1064114-NLA See Note(s) A	1064113-NLA See Note(s) B	1064114-NLA See Note(s) B
6	Brushes w/Caps (Pair)	1064336 See Note(s) A	1064336 See Note(s) A	1064336 See Note(s) B	1064336 See Note(s) B
7	Screw (#4-40 x 1/4")	1050305 See Note(s) A	1050305 See Note(s) A	1050305 See Note(s) B	1050305 See Note(s) B
8	Coupling w/ Cup (1" Diameter)	5165204-NLA See Note(s) C	5165204-NLA See Note(s) C	5165204-NLA See Note(s) C	5165204-NLA See Note(s) C
8	Coupling w/ Cup (1-5/16" Diameter)	50000X007 See Note(s) D, A	50000X007 See Note(s) D, A	50000X007 See Note(s) D, B	50000X007 See Note(s) D, B
9	Screw (1/4-20 x 1-1/8")	1043594 See Note(s) A	1043594 See Note(s) A	1043594 See Note(s) B	1043594 See Note(s) B
10	Lockwasher	10502X001 See Note(s) A	10502X001 See Note(s) A	10502X001 See Note(s) B	10502X001 See Note(s) B
11	Plastic Tip	1006490 See Note(s) A	1006490 See Note(s) A	1006490 See Note(s) B	1006490 See Note(s) B
12	Slotted Plate	1057972-NLA See Note(s) A	1057972-NLA See Note(s) A	1057972-NLA See Note(s) B	1057972-NLA See Note(s) B

NOTE: A - After 8/31/98 Storm Arrow (Standard) changed from 2-pole to 4-pole motors.
B - After 10/23/98 Storm Arrow (Heavy Duty) changed from 2-pole to 4-pole motors.
C - Coupling with Cup for chairs manufactured before 11/12/01 - Use part # 50000X007 as a direct replacement.
D - After 11/11/01 Coupling with Cup was resized from approximately 1" to 1-5/16" diameter and can be used as a direct replacement for part number 5165204
E - No Longer Available (NLA). Convert to a right and left 4-Pole Motor/Gearbox Assembly part #'s 1085951 & 1085952
F - No Longer Available (NLA). Convert to a right and left 4-Pole Motor/Gearbox Assembly part #'s 1086215 & 1086216

2-Pole Motor and Gearboxes

After 6/30/98 2nd Generation



2-Pole Motor and Gearboxes

After 6/30/98 2nd Generation

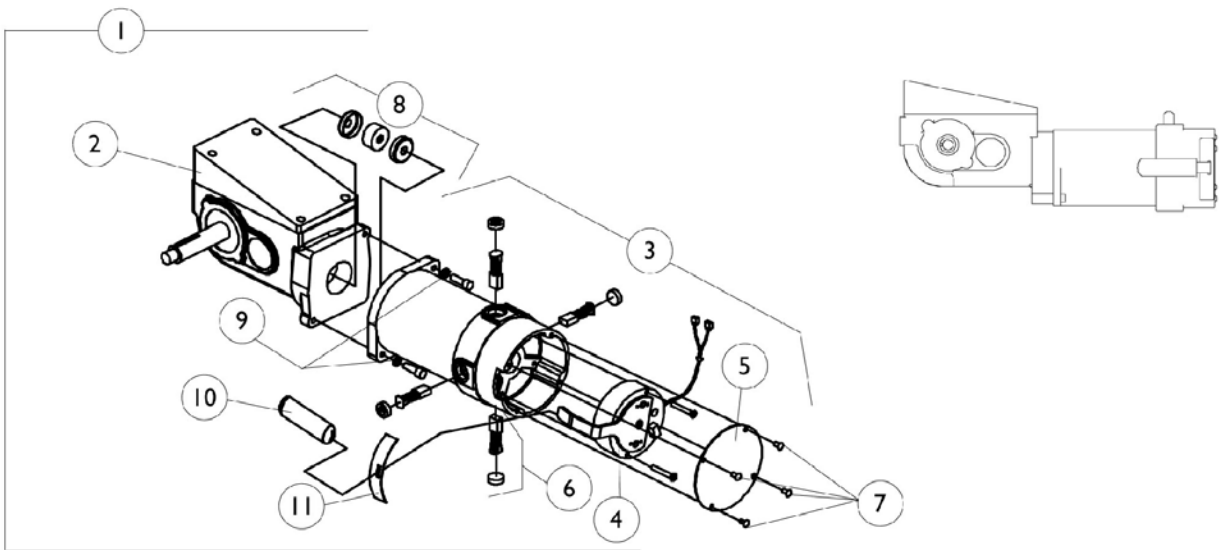
Storm RX and HSM Options

Item Number	Description	Storm RX 7/1/98 Thru 9/14/98 Right See Note(s) A	Storm RX 7/1/98 Thru 9/14/98 Left See Note(s) A	Storm RX w/H.S.M Option 7/1/98 Thru 9/14/98 Right	Storm RX w/HSM Option 7/1/98 Thru 9/14/98 Left
1	Motor Gearbox	1070437-NLA See Note(s) A	1070438-NLA See Note(s) A	1070441-NLA	1070442-NLA
2	Gear Box	1070460-NLA See Note(s) A	1070461-NLA See Note(s) A	1070460-NLA	1070461-NLA
3	Motor Assembly	1070505 See Note(s) A	1070506 See Note(s) A	1070507-NLA See Note(s) D	1070508-NLA See Note(s) D
3	Motor Assembly Refurbished	1070505E-NLA See Note(s) A	1070506E See Note(s) A	1070507E-NLA See Note(s) D	1070508E-NLA See Note(s) D
4	Brake Repair Kit	1064112 See Note(s) A	1064111 See Note(s) A	1064112	1064111
5	Brake Cover w/Screws	1064113-NLA See Note(s) A	1064114-NLA See Note(s) A	1064113-NLA	1064114-NLA
6	Brushes w/Caps (Pair)	1064336 See Note(s) A	1064336 See Note(s) A	1064336	1064336
7	Screw (4-40 x 1/4")	1050305 See Note(s) A	1050305 See Note(s) A	1050305	1050305
8	Coupling w/ Cup (1" Diameter)	5165204-NLA See Note(s) B	5165204-NLA See Note(s) B	5165204-NLA See Note(s) B	5165204-NLA See Note(s) B
8	Coupling w/ Cup (1-5/16" Diameter)	50000X007 See Note(s) C, A	50000X007 See Note(s) C, A	50000X007 See Note(s) C	50000X007 See Note(s) C
9	Screw (1/4-20 x 1-1/8")	1043594 See Note(s) A	1043594 See Note(s) A	1043594	1043594
10	Lockwasher	10502X001 See Note(s) A	10502X001 See Note(s) A	10502X001	10502X001
11	Plastic Tip	1006490 See Note(s) A	1006490 See Note(s) A	1006490	1006490
12	Slotted Plate	1057972-NLA See Note(s) A	1057972-NLA See Note(s) A	1057972-NLA	1057972-NLA

NOTE: A - After 9/14/98 Storm RX changed from 2-pole to 4-pole motors.
B - Coupling with Cup for chairs manufactured before 11/12/01 - Use part # 50000X007 as a direct replacement.
C - After 11/11/01 Coupling with Cup was resized from approximately 1" to 1-5/16" diameter and can be used as a direct replacement for part number 5165204
D - No Longer Available (NLA). Convert to a right and left 4-Pole Motor/Gearbox Assembly part #'s 1085951 & 1085952

4-Pole Motor and Gearboxes

After 8/31/98



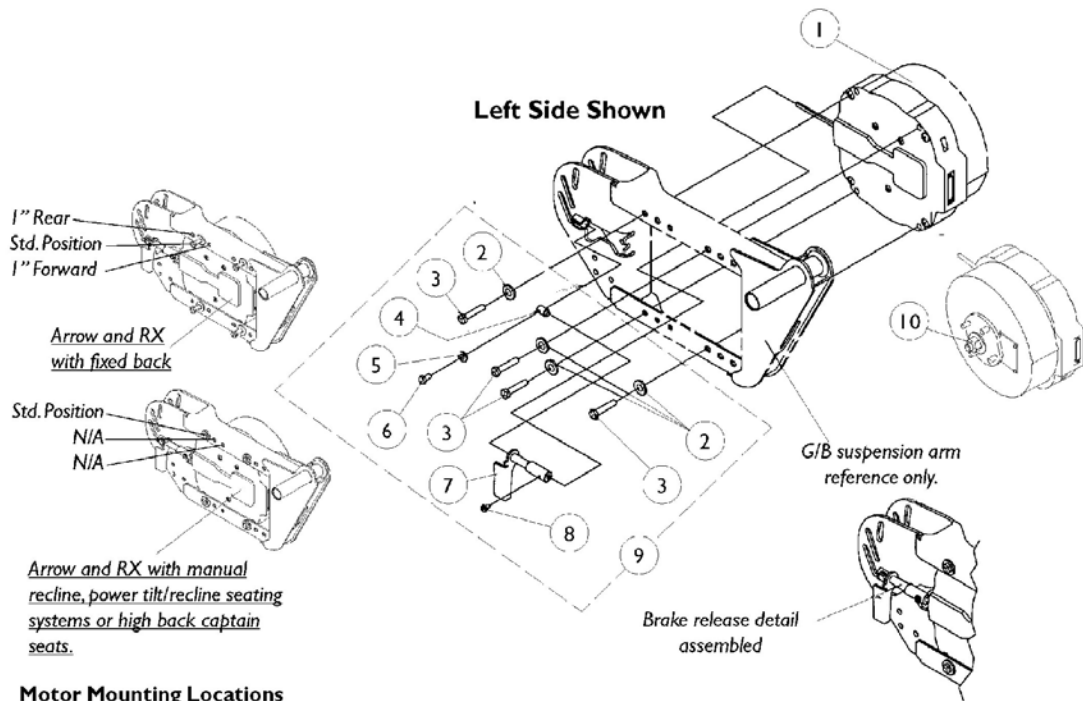
4-Pole Motor and Gearboxes After 8/31/98

Item Number	Description	Storm Arrow After 8/31/98 RWD-R MWD-L	Storm Arrow After 8/31/98 RWD-L MWD-R	Storm Arrow Heavy Duty After 10/22/98 RWD-R MWD-L	Storm Arrow Heavy Duty After 10/22/98 RWD-L MWD-R	Storm RX After 9/14/98 RWD-R MWD-L	Storm RX After 9/14/98 RWD-L MWD-R
1	Motor Gearbox	1085951 See Note(s) D	1085952 See Note(s) D	1086215 See Note(s) D	1086216 See Note(s) D	1085951 See Note(s) D	1085952 See Note(s) D
1	Motor/ Gearbox (Refurbished)	1085951E	1085952E	N/A	N/A	1085951E	1085952E
2	Gearbox	1086223 See Note(s) C	1086224 See Note(s) C	1086225 See Note(s) C	1086226 See Note(s) C	1086223 See Note(s) C	1086224 See Note(s) C
3	Motor Assembly	1086581	1070291	1086581	1070291	1086581	1070291
4	Brake Repair Kit	1070294	1070295	1070294	1070295	1070294	1070295
5	Brake Cover w/Screws	1070297-NLA	1070297-NLA	1070297-NLA	1070297-NLA	1070297-NLA	1070297-NLA
6	Brushes w/Caps (Set of 4)	1070296	1070296	1070296	1070296	1070296	1070296
7	Screw (#8-32 x 1/4")	See Item 5	See Item 5	See Item 5	See Item 5	See Item 5	See Item 5
8	Coupling w/ Cup (1" Diameter)	5165204-NLA See Note(s) A	5165204-NLA See Note(s) A	5165204-NLA See Note(s) A	5165204-NLA See Note(s) A	5165204-NLA See Note(s) A	5165204-NLA See Note(s) A
8	Coupling w/ Cup (1-5/16" Diameter)	50000X007 See Note(s) B	50000X007 See Note(s) B	50000X007 See Note(s) B	50000X007 See Note(s) B	50000X007 See Note(s) B	50000X007 See Note(s) B
9	Screw, SHC (1/4-20 x 1-1/8")	1043594 See Note(s) C	1043594 See Note(s) C	1043594 See Note(s) C	1043594 See Note(s) C	1043594 See Note(s) C	1043594 See Note(s) C
9.	Screw, SHC (M6 x 1 x 20MM)	1108978 See Note(s) C	1108978 See Note(s) C	1108978 See Note(s) C	1108978 See Note(s) C	1108978 See Note(s) C	1108978 See Note(s) C
10	Plastic Tip	1082984	1082984	1082984	1082984	1082984	1082984
11	Slotted Plate	1082985	1082985	1082985	1082985	1082985	1082985

NOTE: A - Coupling with Cup for chairs manufactured before 11/12/01 - use part # 50000X007 as a direct replacement part.
 B - After 11/11/01 Coupling with Cup was resized from approximately 1" to 1-5/16" diameter and can be used as a direct replacement for part number 5165204
 C - When a new gearbox or mounting screws are ordered, (2 ea.) metric and (2 ea.) non-metric screws (item 9) must be ordered. Invacare Corp. utilizes alternate suppliers for this part number.
 D - As of May 2008, the Metal Motor End Cap will be replaced with a Composite Motor End Cap. The change does not affect form, fit, function or aesthetics.

Gearless/Brushless Motor and Hardware

NOTE: Gearless/ Brushless motors were made available on-chair as an option for Storm Arrow and Ranger X 4/1/99. On 7/1/99 Gearless/ Brushless motors became standard for Storm Arrow only.



Motor Mounting Locations

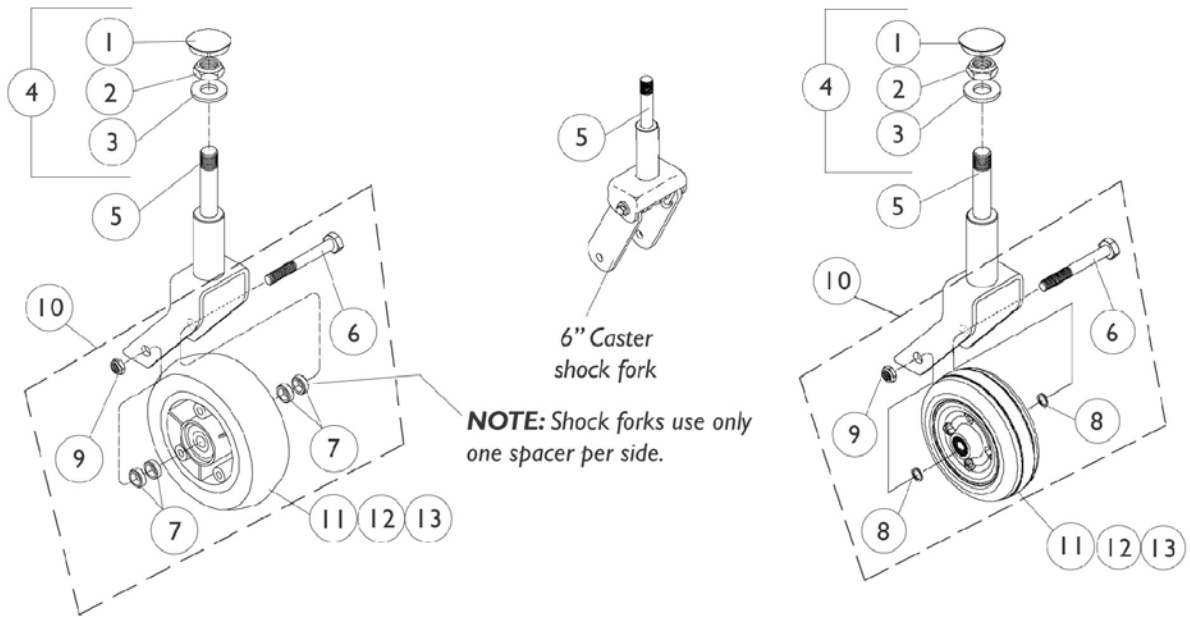
Gearless/Brushless Motor and Hardware

NOTE: Gearless/ Brushless motors were made available on-chair as an option for Storm Arrow and Ranger X 4/1/99. On 7/1/99 Gearless/ Brushless motors became standard for Storm Arrow only.

Item Number	Note	Part Number	Description	Quantity Per	
				Package	Assembly
1		1115508	Kit, Motor, GB Non-Heavy Duty with Instruction Sheet	1	1
1		1115509	Kit, Motor, GB Non-Heavy Duty (Refurbished) with Instruction Sheet	1	1
2		1079247	Washer, Flat (21/64 x 53/64 x 7/64")	1	4
3		1085633	Screw, Hex Head Cap (M8 x 1-1/4 x 45)	1	4
4		1078213	Pin, Alignment	1	1
5		1018739	Washer (1/4 x 5/8 x 3/32")	1	1
6		1078214	Screw, Hex Head Cap w/ Patch (1/4-20 x 1/2")	1	1
7		1079242	Handle, Brake Release (G/B) - Right	1	1
7		1079243	Handle, Brake Release (G/B) - Left	1	1
8		1078228	Screw, Hex Head Slot with Patch (#10-32 x 5/16")	1	1
9	A	1079264	Hardware, Motor Attaching (G/B) - Right	1	1
9	A	1079265	Hardware, Motor Attaching (G/B) - Left	1	1
10	B	1112955	Repair Kit, GB Motor, Anti-Rattle with Instruction Sheet	2	1
	C	1112828	Instruction Sheet, GB Motor Anti-Rattle Repair Kit	1	1

NOTE: A - Includes Items 2-8.
 B - Service Kit for two motors include 2 each hex head nuts, washers, hub keys and O-rings. Individual components are not available.
 C - Not Shown.

6" Caster

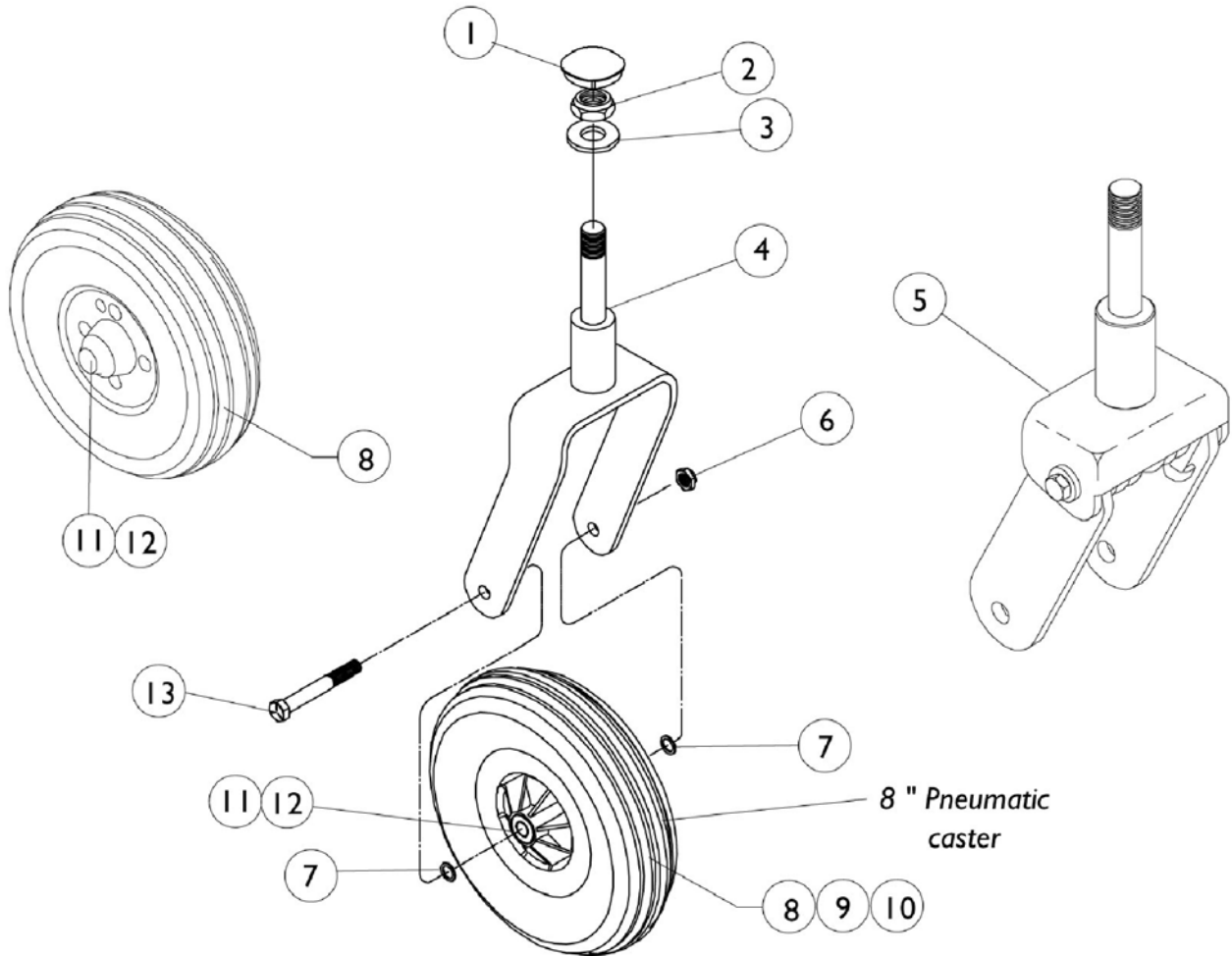


6" Caster

Item Number	Note	Part Number	Description	Quantity Per	
				Package	Assembly
1		1027600-NLA	Cap, Black	1	1
2		1028550	Locknut (5/8-18)	1	1
3		1041444	Washer (5/8 x 1-5/16 x 1/8")	1	1
4	D	1050173	Hardware, Caster Fork Mounting	1	1
5	A,E	8881041458	Fork & Stem Assembly, 6" Caster	1	1
5	A,F	8881056379	Fork, Shock, 6" (Color)	1	1
6	E	1025726	Screw, Hex Head (7/16-20 x 3-1/4")	1	1
6	F	1058744	Screw, Hex Head (7/16-20 x 3-1/2")	1	1
7	E	1026101	Spacer (7/16 x 5/8 x 3/16")	1	4
7	F	1058888	Spacer (7/16 x 5/8 x 7/16")	1	2
8		7930329	Washer, Steel (15/32 x 5/8 x 3/64")	25	2
9		7930331	Locknut (7/16-20")	25	1
10	E,G	1043620	Hardware, Caster Standard Fork	1	1
10	F,G	1058887	Hardware, Caster Shock Fork	1	1
10	E,H	1042489	Caster Axle Hardware (1 Pair)	2	1
10	F,H	1058890	Hardware, Caster, Shock Fork (Pair)	2	1
11	B,I,I1	1072014-NLA	Wheel with Bearings - Semi Pneumatic (6" x 2")	1	1
11	J	1115179	Wheel with Bearings, 6 x 2" Urethane Deep Profile	1	1
11	J	1122066	Wheels with Bearings, 6 x 2" Urethane Deep Profile	2	1
12		1006049	Bearing (7/16")	1	2
13		1020592	Spacer, Bearing (7/16 x 5/8 x 1-3/4")	1	1
	C	40176X010	Tire Pump	1	1

NOTE: A - Specify frame color when ordering. See page titled, "Frame Finishes, Touch-Up Paints and Upholstery Options."
 B - 6" Semi-pneumatic wheels changed 6/24/97. For chairs manufactured before 6/24/97, order two wheels to match and new caster hardware dated after 6/23/97.
 C - Not Shown.
 D - Includes Items 1-3.
 E - Standard Fork.
 F - Shock Fork.
 G - Before 6/24/97.
 H - After 6/23/97.
 I - Service part No Longer Available 8/15/03. Due to product improvement, order (pair) part number 1122066 dated after 8/14/03 so each side matches. The deep profile caster has 2 tread grooves w/ round corners instead of 4 tread grooves w/ square corners.
 I1 - For chairs manufactured before 6/24/97, order new caster hardware dated after 6/23/97 as well.
 J - Service part after 8/14/03

8" Caster

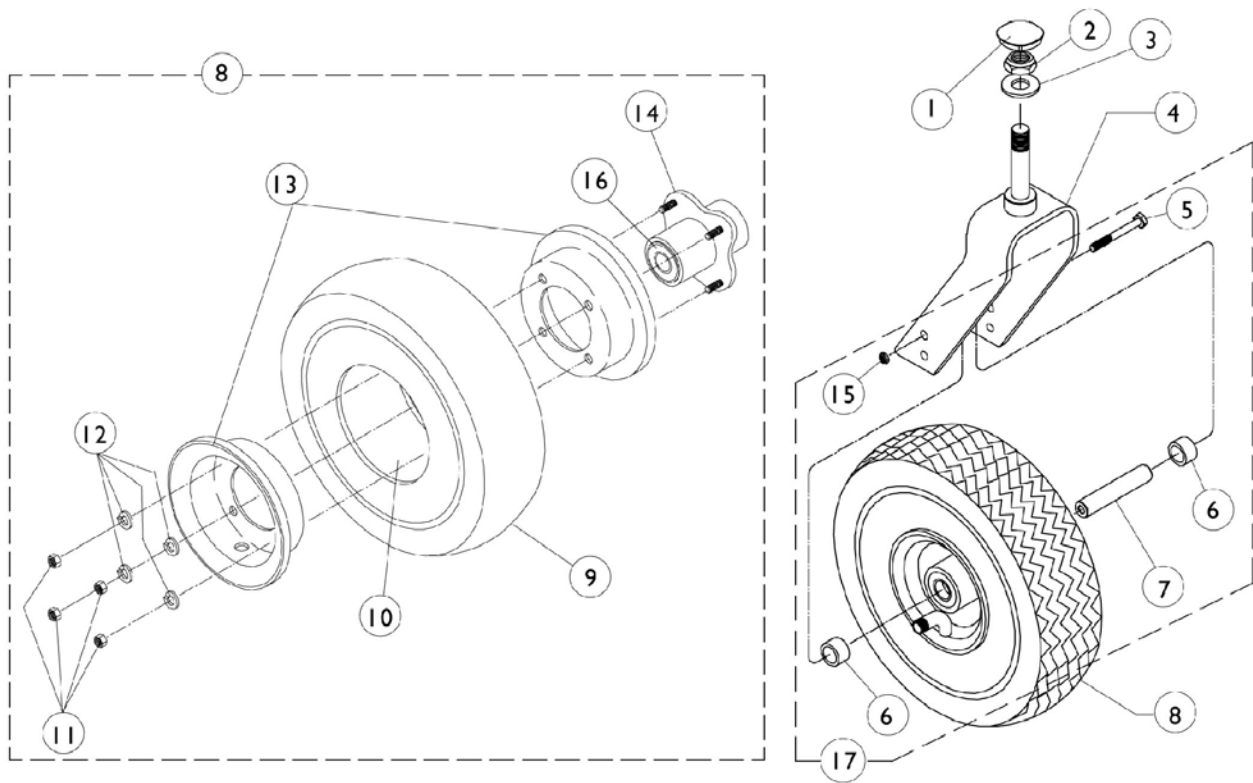


8" Caster

Item Number	Note	Part Number	Description	Quantity Per	
				Package	Assembly
1		1027600-NLA	Cap, Black	1	1
2		1028550	Locknut (5/8-18)	1	1
3		1041444	Washer (5/8 x 1-5/16 x 1/8")	1	1
4	A	8881039740	Fork & Stem Assembly, 8" Caster	1	1
5	A	8881056370	Fork/Shock 8" (Color)	1	1
6		7930331	Locknut (7/16-20")	25	1
7		7930329	Washer, Steel (15/32 x 5/8 x 3/64")	25	2
8	B	1002002	Wheel with Bearings - Pneumatic (8 x 2")	1	1
8	B,C,F	1006058-NLA	Caster, Semi Pneumatic (8")	1	1
8	B,C,D	1068311-NLA	Caster, Semi Pneumatic Charcoal (8")	1	1
8	E	1070811	Wheel/Caster, Semi-Pneumatic with Bearings (8 x 1-3/4")	1	1
9		40176X034	Tire, Pneumatic (8" x 2")	1	1
10		1034942	Tube, Pneumatic Inner (8" x 2")	1	1
11		1006049	Bearing (7/16")	1	2
12		1020592	Spacer, Bearing (7/16 x 5/8 x 1-3/4")	1	1
13	H	1025726	Screw, Hex Head (7/16-20 x 3-1/4")	1	1
13	I	1058744-NLA	Screw, Hex Head (7/16-20 x 3-1/2")	1	1
13	G	1042489	Caster Axle Hardware (1 Pair)	2	1
13	G	1058890	Hardware, Caster, Shock Fork (Pair)	2	1

NOTE: A - Specify frame color when ordering. See page titled, "Frame Finishes, Touch-Up Paints and Upholstery Options."
 B - Includes items 10 and 11.
 C - Order in pairs #1071666 for chairs manufactured before 6/9/97.
 D - After 1-15-97.
 E - After 6-8-97.
 F - Before 1-15-97.
 G - Includes Items 6, 7, and 13.
 H - Standard Fork.
 I - Shock Fork.

9" Caster

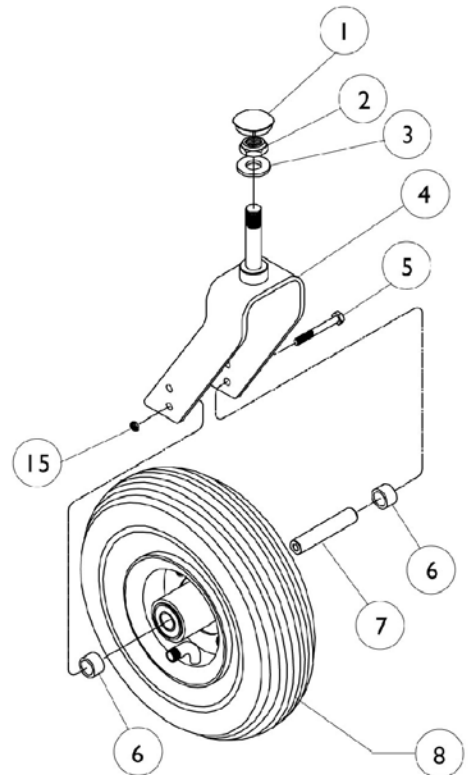
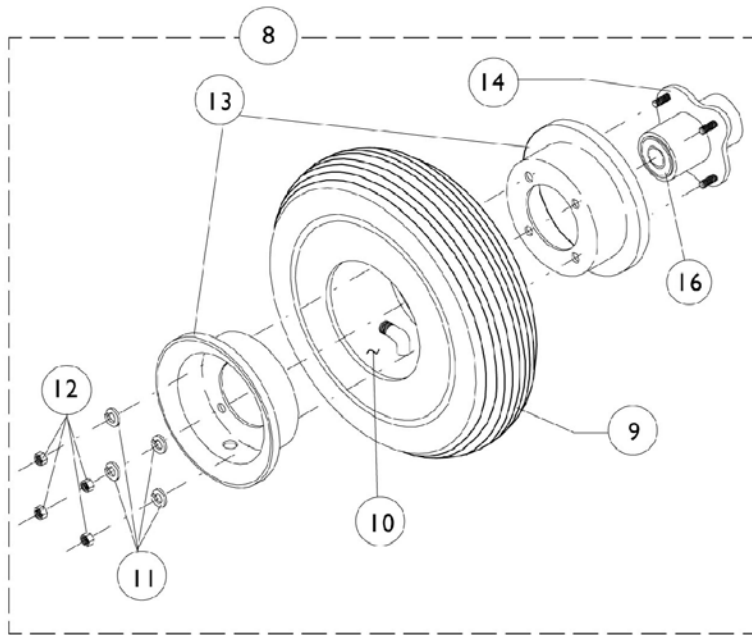


9" Caster

Item Number	Note	Part Number	Description	Quantity Per	
				Package	Assembly
1		1027600-NLA	Cap, Black	1	1
2		1028550	Locknut (5/8-18)	1	1
3		1041444	Washer (5/8 x 1-5/16 x 1/8")	1	1
4	A,D	8881039754	Fork & Stem Assembly, For 9" and 10" Casters	1	1
4	A,E	8881041477	Fork & Stem Assembly 9" Caster Heavy Duty (Painted)	1	1
5		1027730	Screw, Hex Head (5/16-24 x 5")	1	1
6		1028832	Spacer (5/8 x 7/8 x 1/2")	1	2
7		1028833	Reducer, Axle	1	1
8		1041498	Wheel with Bearings - Pneumatic (9 x 2-3/4")	1	1
8	B	1029871	Wheel with Bearings - Foam Filled (9 x 2-3/4")	1	1
9		1027418	Tire, Pneumatic (9 x 2-3/4")	1	1
9		1028896	Tire, Foam Filled (9 x 2-3/4")	1	1
10		1027417	Tube, Pneumatic Inner (9" x 2-3/4")	1	1
11		1024426	Nut, Hex (5/16-24)	1	4
12		1024442	Washer, Lock (5/16 x 9/16 x 1/16")	1	4
13		1025399	Rim, Outer/Inner half with Hardware-9"	1	1
13		1013460	Rim, Outer/Inner Half with Hardware-10"	1	1
14		1013466	Hub with Bearings	1	1
15		7930330	Locknut (5/16-24)	25	1
16		1015610	Bearing with Grip Ring (5/8")	1	2
17	C	1039757	Hardware, Caster Standard Fork 9" (Per Side)	1	1

NOTE: A - Specify frame color when ordering. See page titled, "Frame Finishes, Touch-Up Paints and Upholstery Options."
 B - Tire comes with insert molded inside.
 C - Includes Items 5, 6, 7 and 15.
 D - 250 lb. standard.
 E - 400 lb. heavy duty.

10" Caster



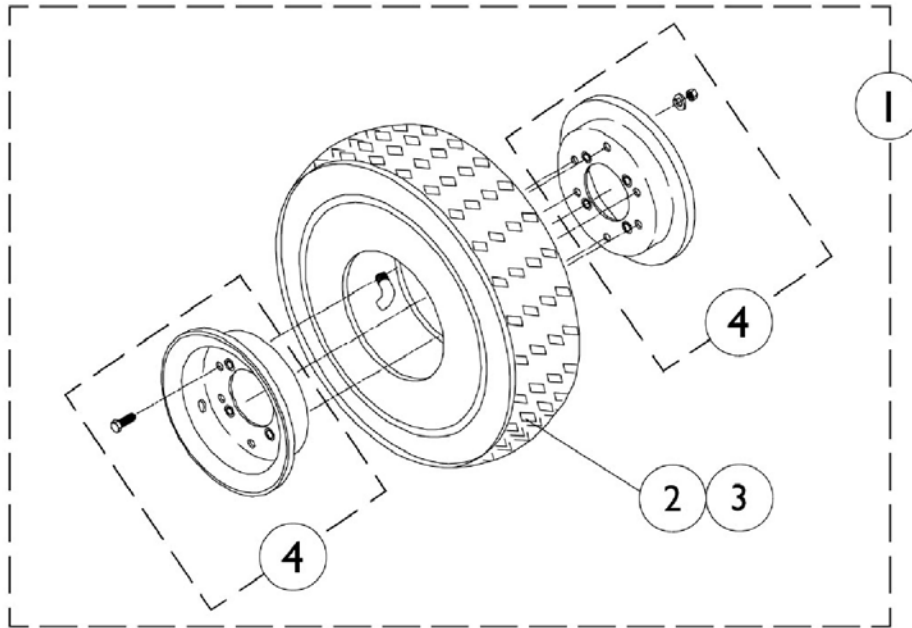
10" Caster

Item Number	Note	Part Number	Description	Quantity Per	
				Package	Assembly
1		1027600-NLA	Cap, Black	1	1
2		1028550	Locknut (5/8-18)	1	1
3		1041444	Washer (5/8 x 1-5/16 x 1/8")	1	1
4	A	8881039754	Fork & Stem Assembly, For 9" and 10" Casters	1	1
5		1027730	Screw, Hex Head (5/16-24 x 5")	1	1
6		1028832	Spacer (5/8 x 7/8 x 1/2")	1	2
7		1028833	Reducer, Axle	1	1
8		1013438-NLA	Wheel Assembly, 10" Pneumatic	1	1
8		1020148-NLA	Wheel Assembly, 10" Foam Filled	1	1
9		1013462-NLA	Tire, 10"	1	1
9		1020146	Tire, 10" w/ Foam Insert	1	1
10		1013464	Tube, 10"	1	1
11		1024442	Washer, Lock (5/16 x 9/16 x 1/16")	1	4
12		1024426	Nut, Hex (5/16-24)	1	4
13		1013460	Rim, Outer/Inner Half with Hardware-10"	1	1
14		1013466	Hub with Bearings	1	1
15		7930330	Locknut (5/16-24)	25	1
16		1015610	Bearing with Grip Ring (5/8")	1	2

NOTE: A - Specify frame color when ordering. See page titled, "Frame Finishes, Touch-Up Paints and Upholstery Options."

Rear Wheels and Attaching Hardware

For All Non-Free Wheel Hubs and (For Free Wheel Hubs Before 8/19/98)



Item #'s 1, 2 and 3 Rear Wheels

Wheel Size	Item #1 Wheel Complete Pneumatic	Item #1 Wheel Complete w/ Flat Free	Item #2 Tire	Item #2 Tire w/ Flat Free	Item #3 Tube
14 x 4" For 4-Pole Motors	1042476	1042477	1042474	1042478	1042475
14 x 4" For GB Motors	1079305 See Note(s) A	1079304 See Note(s) A	1042474 See Note(s) A	1042478 See Note(s) A	1042475 See Note(s) A
14 x 3" For 4-Pole & GB Motors	1039653	1041449	1039652	1101754	1039651
12 x 4" For 4-Pole & GB Motors	1039734	1041450-NLA	1013463	1020147-NLA	1030906
NOTE: A - For rear wheel rims and attaching hardware for the GB 14" x 4" wheel. See page titled, "Rear Wheels and Attaching Hardware For Free Wheel Hub Mounts-After 8/18/98."					

Rear Wheels and Attaching Hardware

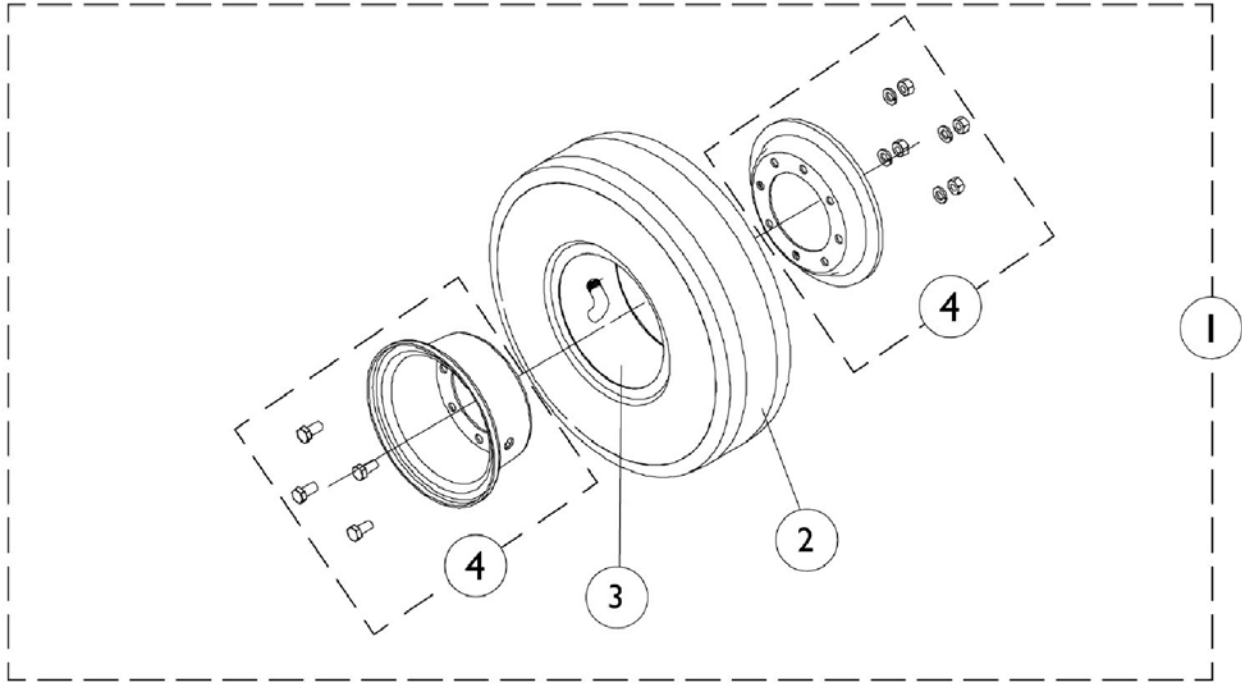
For All Non-Free Wheel Hubs and (For Free Wheel Hubs Before 8/19/98)

Item Number	Note	Part Number	Description	Quantity Per	
				Package	Assembly
1-3		See Chart	#s 1, 2 and 3 Rear Wheels and Attaching Hardware	1	1
4		1042453	Rim, 6" with Hardware (14 x 4" Wheel)	1	1
4		1090651	Rim, 8" with Hardware (14 x 3" Wheel)	1	1
4		1039733	Rim, 5" with Hardware (12 x 4" Wheel)	1	1
	B	1008030	Screw, Hex Head (3/8-16 x 3/4")	1	6
	B	1005519-NLA	Lockwasher (3/8 x 11/16 x 3/32")	1	6
	B	18058X000	Hexnut (3/8-16)	1	6
	C	1024443	Screw, Hex Head (5/16-24 x 5/8")	1	6
	C	1024442	Washer, Lock (5/16 x 9/16 x 1/16")	1	6
	C	1024426	Nut, Hex (5/16-24)	1	6
	A	7930326	Screw, Hex Head (1/4-20 x 3/4")	25	8
	A	7930333	Locknut (1/4-20)	25	8
		40176X010	Tire Pump	1	1
NOTE: A - Included in rim with hardware #1090651. B - Included in rim with hardware #1042453 before 3/4/98. C - Included in rim with hardware #1042453 after 3/3/98 and rim with hardware #1039733 quantity (4) each.					

Rear Wheels and Attaching Hardware

For Free Wheel Hub Mounts After 8/18/98

NOTE: Service parts listed can be used for chairs made before 9/96 as well.



Item #'s 1, 2 and 3 Rear Wheels

Wheel Size	Item #1 Wheel Complete Pneumatic	Item #1 Wheel Complete w/ Flat Free	Item #2 Tire	Item #2 Tire w/ Flat Free	Item #3 Tube
14 x 4"	1079305 See Note(s) A	1079304 See Note(s) A	1042474	1042478	1042475
14 x 3"	1079298	1079301	1039652	1101754	1039651
12 x 4"	1079302	1079303-NLA	1013463	1020147-NLA	1030906

NOTE: A - This 14 x 4" rear wheel is also used on the G/B non-free wheel hub mount adapter plate.

Rear Wheels and Attaching Hardware For Free Wheel Hub Mounts After 8/18/98

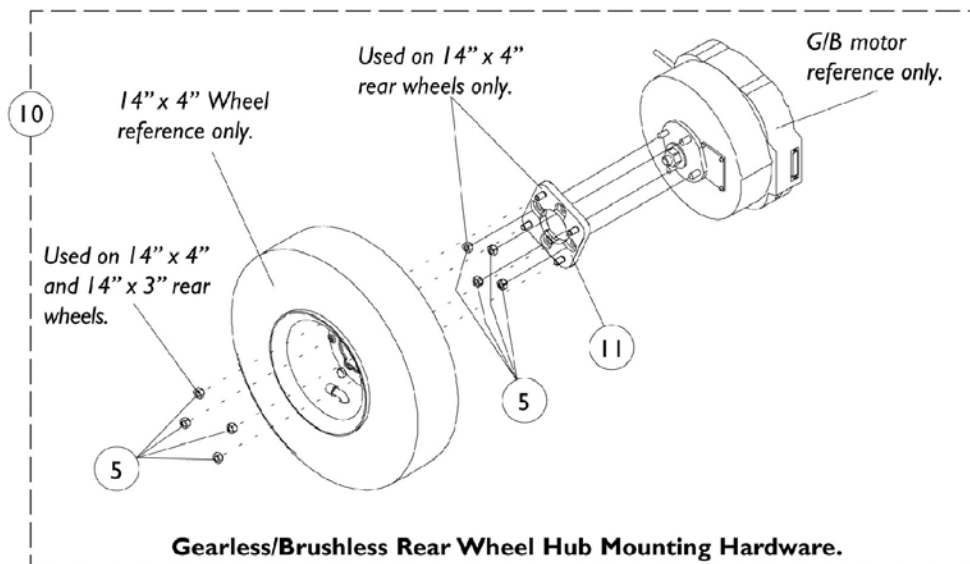
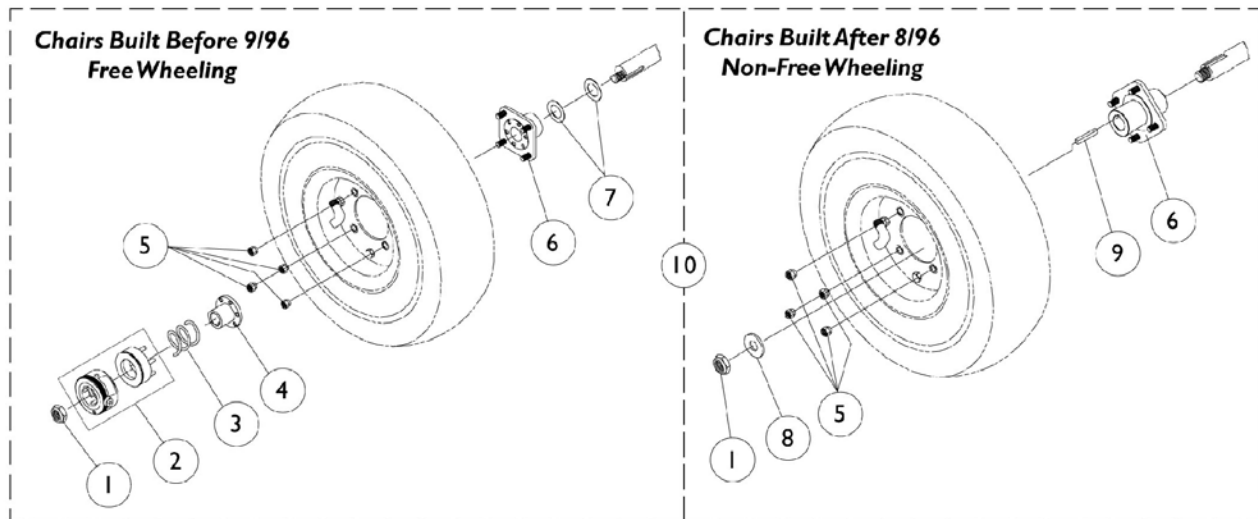
NOTE: Service parts listed can be used for chairs made before 9/96 as well.

Item Number	Note	Part Number	Description	Quantity Per	
				Package	Assembly
1-3		See Chart	#'s 1, 2 and 3 Rear Wheels and Attaching Hardware	1	1
4		1078246	Rim, 6" with Hardware (14 x 4" Wheel)	1	1
4		1104889	Rim, 8" with Hardware (14 x 3" Wheel)	1	1
4		1078245	Rim, 5" with Hardware (12 x 4" Wheel)	1	1
	B,C,E	1024443	Screw, Hex Head (5/16-24 x 5/8")	1	4
	B,C,E	1024442	Washer, Lock (5/16 x 9/16 x 1/16")	1	4
	B,C,E	1024426	Nut, Hex (5/16-24)	1	4
	B,D,F	7930326	Screw, Hex Head (1/4-20 x 3/4")	25	8
	B,D,F	7930333	Locknut (1/4-20)	25	8
	A	1024443	Screw, Hex Head (5/16-24 x 5/8")	1	4
	A	1024442	Washer, Lock (5/16 x 9/16 x 1/16")	1	4
	A	1024426	Nut, Hex (5/16-24)	1	4
	B	40176X010	Tire Pump	1	1
<p>NOTE: A - 5" Rim Hardware 12" x 4" Wheel. B - Not Shown C - Included in rim with hardware #1078246 and #1078245. D - Included in rim with hardware #1104889. E - 6" Rim Hardware 14" x 4" Wheel. F - 8" Rim Hardware 14" x 3" Wheel.</p>					

Hub Mounts

For All Non-Free Wheel Hubs and (For Free Wheel Hubs Before 8/19/98)

NOTE: Gearless/ Brushless motors were made available on-chair as an option for Storm Arrow and Ranger X 4/1/99. On 7/1/99 Gearless/ Brushless motors became standard for Storm Arrow only.



Hub Mounts

For All Non-Free Wheel Hubs and (For Free Wheel Hubs Before 8/19/98)

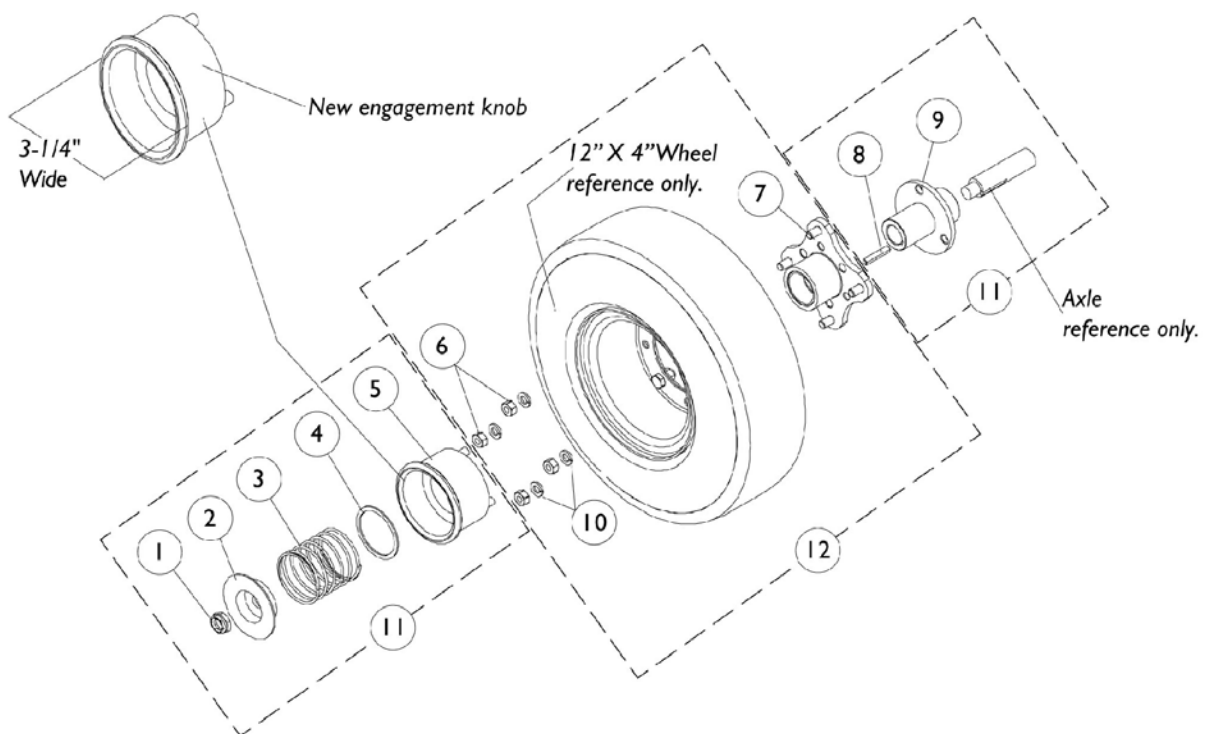
NOTE: Gearless/ Brushless motors were made available on-chair as an option for Storm Arrow and Ranger X 4/1/99. On 7/1/99 Gearless/ Brushless motors became standard for Storm Arrow only.

Item Number	Note	Part Number	Description	Quantity Per	
				Package	Assembly
1		7930302	Locknut (1/2-20)	25	1
2	C,F	1070917-NLA	Engagement Knob Replacement Kit, Right	1	1
2	C,F	1070918-NLA	Engagement Knob Replacement Kit, Left	1	1
3	L	1061932-NLA	Spring, Compression	1	1
3	G	1036932	Spring, Compression	1	1
4		1036935-NLA	Bushing, Drive	1	1
5	D	1024444	Locknut (5/16-24)	1	4
6	C	1036937-NLA	Wheel Hub, Free Wheeling	1	1
6	H	1063339	Wheel Hub (14 x 4" Wheel)	1	1
6	I,O	1070417-NLA	Wheel Hub (14 x 3" Wheel)	1	1
7		1036936-NLA	Washer (3/4 x 1-1/4 x 1/64")	1	2
8		1036933	Washer (1/2 x 1-9/32 x 1/8")	1	1
9		1000180	Key (3/16 x 1-1/4")	1	1
10	A,C	1070919-NLA	Hardware, Rear Wheel Hub Mounting Free Wheel (Pair)	2	1
10	H,J	1064355	Hardware, Wheel Hub and Drive Wheel Mounting	1	1
10	K,M	1079258	Hardware, Wheel Hub and Drive Wheel Mounting (4" Tire)	1	1
10	I,J,O	1070435-NLA	Hardware, Wheel Hub	1	1
10	K,N	1079257	Hardware, Wheel Hub (3" Tire)	1	1
11		1078242	Adapter Plate with Studs	1	1
	B,E	1067290	Kit, Non-Free Wheeling Conversion (Storm Arrow)	1	1
	B,E	1067291	Kit, Non-Free Wheeling Conversion (Storm RX)	1	1

NOTE: A - After 4/3/97 the engagement knob was changed due to product improvement it is recommended that you order item 10 when replacing engagement knobs before this date.
 B - Kit includes (1) controller, (2) motor assemblies, (2) non free wheeling hub kits, (2) rubber couplings, (2) tie wraps and (1) instruction sheet
 C - See page titled, " Free Wheel Hub Upgrade Kits" for upgrade.
 D - Gearless, Brushless 14 x 4" wheels use a quantity of (8) hex nuts.
 E - Not Shown.
 F - Includes item 6.
 G - Before 9/96.
 H - Non free wheeling 14 x 4", 12 x 4", or 14 x 3" by 7/1/98.
 I - Non free wheeling 14 x 3" after 6/30/98.
 J - Includes Items 1, 5, 6, 8 and 9.
 K - Includes Items 5 and 11.
 L - After 8/96.
 M - 14 x 4" G/B.
 N - 14 X 3" G/B.
 O - Wheel Hub No longer available. See page titled "Wheels, Free Wheel Hub Upgrade Kits (After 8/18/98) " and order part number 1079640

Free Wheel Hub Mounts (After 8/18/98)

NOTE: For chairs made before 9/96, use service parts below to replace components to and upgrade kit only. If the upgrade kit has not been ordered previously, refer to chart titled, "FREE WHEEL HUB UPGRADE KIT." Have customer measure the overall width of the engagement knob to verify if the upgrade has been done. The older version engagement knob measures approximately 2" across and the new larger engagement knob measures 3-1/4" wide.



Free Wheel Hub Mounts (After 8/18/98)

NOTE: For chairs made before 9/96, use service parts below to replace components to and upgrade kit only. If the upgrade kit has not been ordered previously, refer to chart titled, "FREE WHEEL HUB UPGRADE KIT." Have customer measure the overall width of the engagement knob to verify if the upgrade has been done. The older version engagement knob measures approximately 2" across and the new larger engagement knob measures 3-1/4" wide.

Item Number	Note	Part Number	Description	Quantity Per	
				Package	Assembly
1		7930302	Locknut (1/2-20)	25	1
2		1078090	Cup, Washer	1	1
3		1079002	Spring, Compression	1	1
4		1079001	Washer, Flat (1-13/16 x 2-1/8 x 1/16")	1	1
5		1077022	Knob, Engagement	1	1
6		1024426	Nut, Hex (5/16-24)	1	4
7		1077023	Hub Assembly	1	1
8		1000180	Key (3/16 x 1-1/4")	1	1
9		1077021	Sleeve, Axle	1	1
10	A	1024442	Washer, Lock (5/16 x 9/16 x 1/16")	1	4
11		1079004	Free Wheel Hub Assembly	1	2
12		1081358	Drive Wheel Assembly, Pneumatic w/ Hub (14 x 3")	1	2
12		1081359	Drive Wheel Assembly, Flat Free w/ Hub (14 x 3")	1	2
12		1081360	Drive Wheel Assembly w/ Hub, Pneumatic (12 x 4")	1	2
12		1081361-NLA	Drive Wheel Assembly, Flat Free w/ Hub (12 x 4")	1	2
12		1081362	Drive Wheel Assembly, Pneumatic with Hub (14 x 4")	1	2
12		1081363	Drive Wheel Assembly, Flat Free with Hub (14 x 4")	1	2

NOTE: A - Item 10 is used with 12 x 4" wheels only.

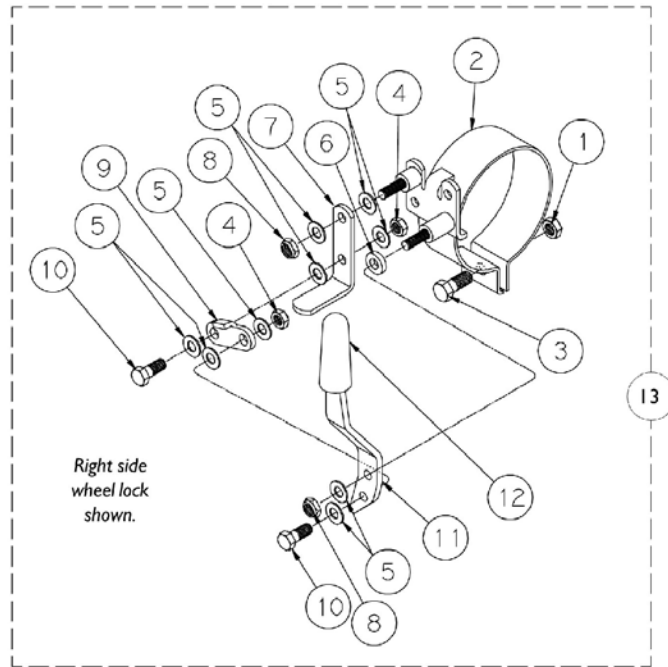
Free Wheel Hub Upgrade Kits

(After 8/18/98)

Free Wheel Hub Upgrade Kit (14" x 3") Wheel Pneumatic	1079640	Package Consists of:
1079004	Free Wheel Hub Assembly	2
1079295	Instruction Sheet	1
1081358	(14" x 3") Wheel Assembly Pneumatic with Hub	2
Free Wheel Hub Upgrade Kit (14" x 3") Wheel with Flat Free	1079641	Package Consists of:
1079004	Free Wheel Hub Assembly	2
1079295	Instruction Sheet	1
1081359	(14" x 3") Wheel Assembly, Flat Free with Hub	2
Free Wheel Hub Upgrade Kit (12" x 4") Wheel Pneumatic	1079642	Package Consists of:
1079004	Free Wheel Hub Assembly	2
1079295	Instruction Sheet	1
1081360	(12" x 4") Wheel Assembly Pneumatic with Hub	2
Free Wheel Hub Upgrade Kit (12" x 4") Wheel with Flat Free	1079643-NLA	Package Consists of:
1079004	Free Wheel Assembly	2
1079295	Instruction Sheet	1
1081361-NLA	(12" x 4") Wheel Assembly, Flat Free with Hub	2
Free Wheel Hub Upgrade Kit (14" x 4") Wheel Pneumatic	1079644	Package Consists of:
1079004	Free Wheel Hub Assembly	2
1079295	Instruction Sheet	1
1081362	(14" x 4") Wheel Assembly Pneumatic with Hub	2
Free Wheel Hub Upgrade Kit (14" x 4") Wheel with Flat Free	1079645	Package Consists of:
1079004	Free Wheel Hub Assembly	2
1079295	Instruction Sheet	1
1081363	(14" x 4") Wheel Assembly Flat Free with Hub	2

NOTE: For chairs made before 9/96, use kit numbers below to upgrade free wheel hubs. For individual kit components for chairs already upgraded, see chart titled, "Free Wheel Hub Mounts." Have customer measure the overall width of the engagement knob to verify if the upgrade has been done. The older version engagement knob measures approximately 2" across and the new larger engagement knob measures 3-1/4" wide.

Wheel Lock (Before 7/1/95)

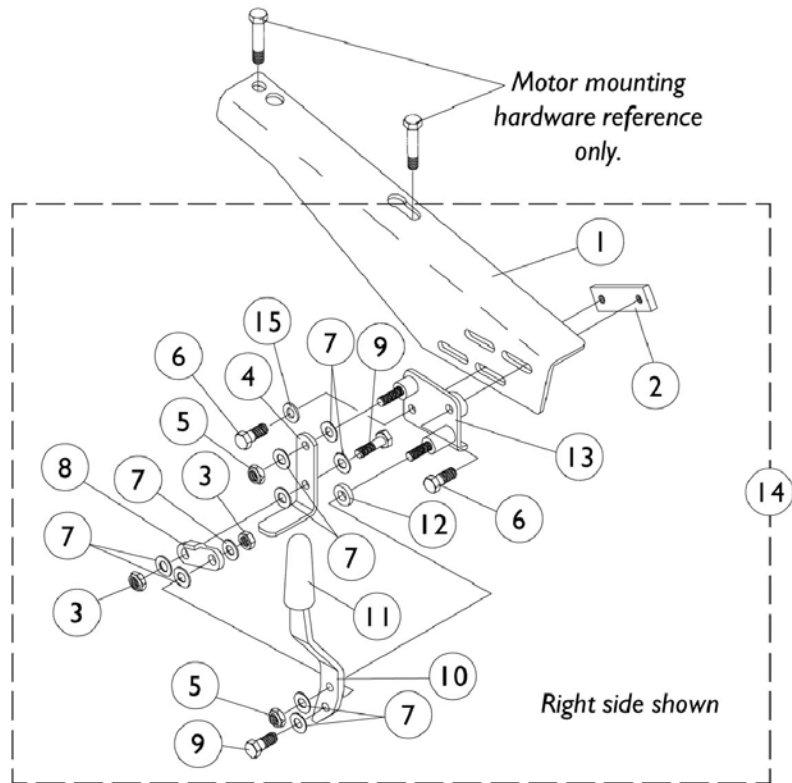
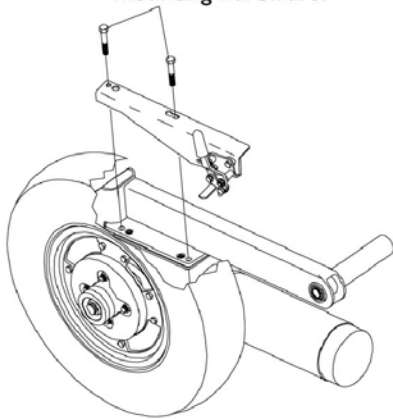


Item Number	Note	Part Number	Description	Quantity Per	
				Package	Assembly
1		1026158	Locknut (5/16-18)	1	1
2	A	1043613-NLA	Bracket, Wheel Lock Mount, Right	1	1
2	A	1043614-NLA	Bracket, Wheel Lock Mount, Left	1	1
3		1003548	Screw, Hex Head Cap (5/16-18 x 1")	1	1
4		7930334	Locknut (1/4-28)	25	2
5		1026033	Washer, Nylon (1/4 x 1/2 x 1/16")	1	9
6		1026105	Spacer, Nylon (1/4 x 7/16 x 1/8")	1	1
7		1031833	Shoe, Wheel Lock	1	1
8		7930323	Package, Locknut (1/4-20)	25	2
9		1018733	Link	1	2
10		1028687	Screw, Hex Head (1/4-28 x 3/4")	1	2
11		1021408	Handle, Wheel Lock -Right	1	1
11		1021409	Handle, Wheel Lock -Left	1	1
12		47376X024	Tip, Rubber Wheel Lock Handle, Black	1	1
13	A	1043615-NLA	Wheel Lock Assembly, Right	1	1
13	A	1043616-NLA	Wheel Lock Assembly, Left	1	1

NOTE: A - See #1054515 and #1054516 wheel lock assembly after 6/95.

Wheel Lock (After 6/30/95)

NOTE: Use existing motor mounting hardware.



Wheel Lock (After 6/30/95)

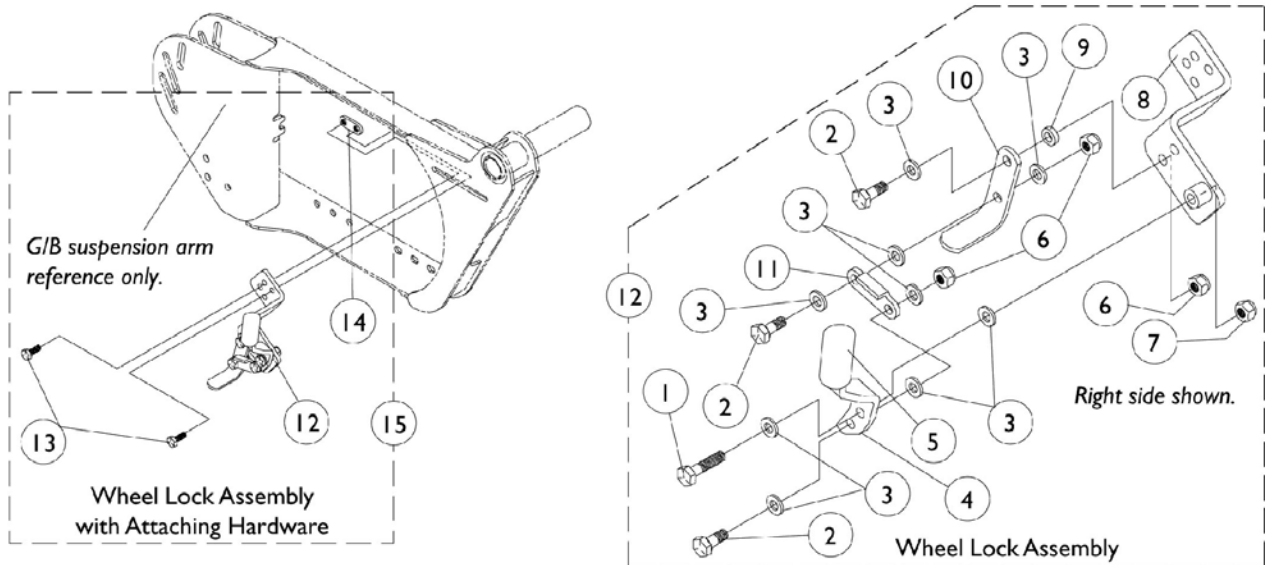
Item Number	Note	Part Number	Description	Quantity Per	
				Package	Assembly
1		1054510	Bracket, Wheel Lock Mount, Right	1	1
1		1054512	Bracket, Wheel Lock Mount, Left	1	1
2		1054508	Link, Inside	1	1
3		7930334	Locknut (1/4-28)	25	2
4		1031833	Shoe, Wheel Lock	1	1
5		7930323	Package, Locknut (1/4-20)	25	2
6		7930326	Screw, Hex Head (1/4-20 x 3/4")	25	2
7		1026033	Washer, Nylon (1/4 x 1/2 x 1/16")	1	9
8		1018733	Link	1	1
9		1028687	Screw, Hex Head (1/4-28 x 3/4")	1	2
10		1021408	Handle, Wheel Lock -Right	1	1
10		1021409	Handle, Wheel Lock -Left	1	1
11		47376X024	Tip, Rubber Wheel Lock Handle, Black	1	1
12		1026105	Spacer, Nylon (1/4 x 7/16 x 1/8")	1	1
13		1054513	Plate, Wheel Lock Base, Right	1	1
13		1054514	Plate, Wheel Lock Base, Left	1	1
14		1054515	Wheel Lock Assembly, Right	1	1
14		1054516	Wheel Lock Assembly, Left	1	1
15	A	1026907	Washer (1/4 x 1/2 x 1/16")	1	1

NOTE: A - Wheel locks before 7/1/98 do not use item 15.

Wheel Lock

Gearless/ Brushless

NOTE: Gearless/ Brushless motors were made available on-chair as an option for Storm Arrow and Ranger X 4/1/99. On 7/1/99 Gearless/ Brushless motors became standard for Storm Arrow only.



Wheel Lock

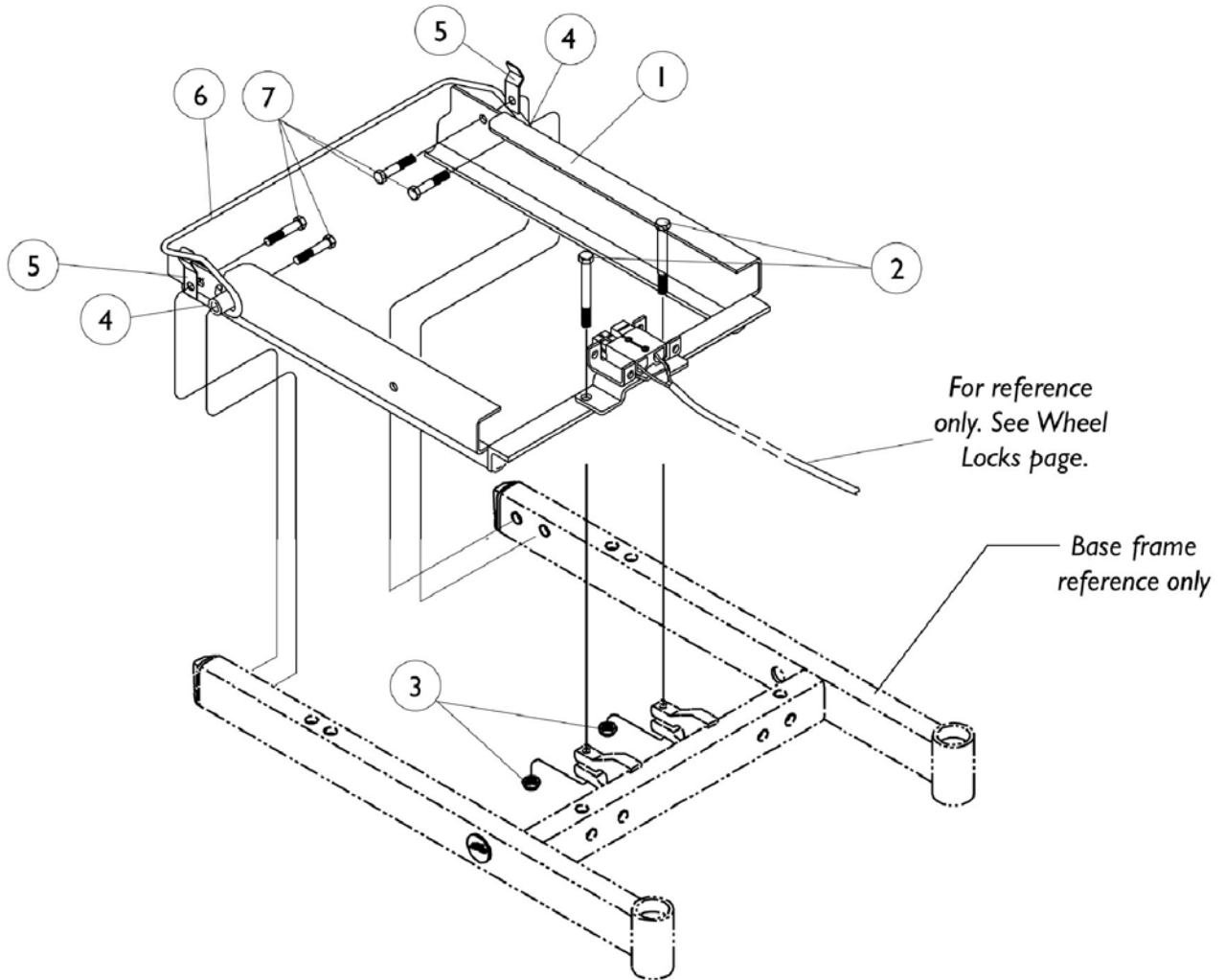
Gearless/ Brushless

NOTE: Gearless/ Brushless motors were made available on-chair as an option for Storm Arrow and Ranger X 4/1/99. On 7/1/99 Gearless/ Brushless motors became standard for Storm Arrow only.

Item Number	Note	Part Number	Description	Quantity Per	
				Package	Assembly
1		1021406	Screw, Hex Head (1/4-20 x 1-1/4")	1	1
2		1028687	Screw, Hex Head (1/4-28 x 3/4")	1	3
3		1026033	Washer, Nylon (1/4 x 1/2 x 1/16")	1	9
4		1021408	Handle, Wheel Lock -Right	1	1
4		1021409	Handle, Wheel Lock -Left	1	1
5		47376X024	Tip, Rubber Wheel Lock Handle, Black	1	1
6		7930334	Locknut (1/4-28)	25	3
7		7930323	Package, Locknut (1/4-20)	25	1
8		1078222	Bracket, Wheel Lock, Right	1	1
8		1078223	Bracket, Wheel Lock, Left	1	1
9		1026105	Spacer, Nylon (1/4 x 7/16 x 1/8")	1	1
10		1031833	Shoe, Wheel Lock	1	1
11		1018733	Link	1	1
12	A	1079266	Wheel Lock Assembly, (GB) - Right	1	1
12	A	1079267	Wheel Lock Assembly, (GB) - Left	1	1
13		1045267	Screw, Hex Head (1/4-20 x 3/4")	1	2
14		1078199	Nut	1	1
15	B	1079252	Wheel Lock Assembly with Mounting Hardware - Right	1	1
15	B	1079253	Wheel Lock Assembly with Mounting Hardware - Left	1	1

NOTE: A - Includes Items 1-11.
B - Includes Items 12-14.

Battery Box Support Frame For Group 24 Batteries

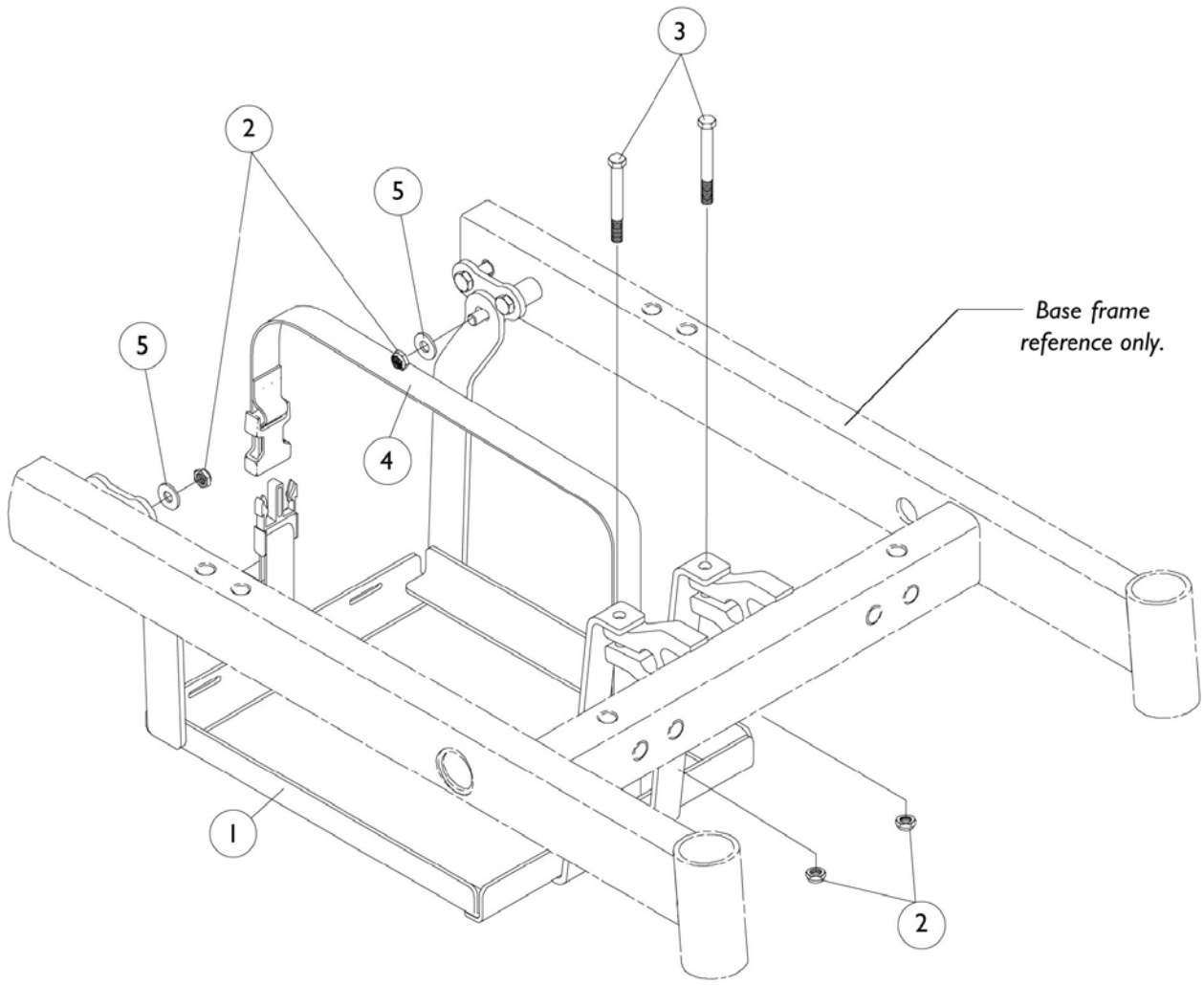


Battery Box Support Frame For Group 24 Batteries

Item Number	Note	Part Number	Description	Quantity Per	
				Package	Assembly
1	A	1039715	Frame, Battery Box Support	1	1
1	B	1086974	Frame, Battery Box Support	1	1
2		1042484	Screw, Hex Head (5/16-18 x 2")	1	2
3		1026158	Locknut (5/16-18)	1	2
4		1039649	Spacer (3/8 x 5/8 x 25/32")	1	2
5		1049550	Retainer Clip	1	2
6		1049549	Retainer, Battery Box	1	1
7		1043627	Screw, Hex Head Cap with Patch (5/16-18 x 1-3/4")	1	4
NOTE: A - Before 9/24/99. B - After 9/23/99.					

Battery Box Tray

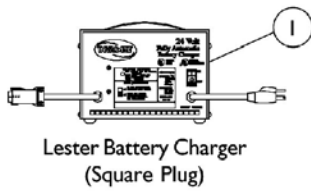
For Group 22 Batteries



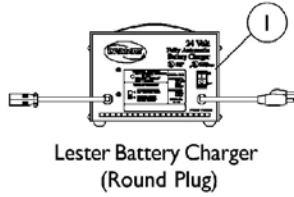
Battery Box Tray For Group 22 Batteries

Item Number	Note	Part Number	Description	Quantity Per	
				Package	Assembly
1	A	1092190	Battery Tray with Strap Assembly	1	1
2		1028769	Locknut (5/16-18)	1	4
3		1042484	Screw, Hex Head (5/16-18 x 2")	1	2
4		1049846	Strap Assembly, Battery	1	1
5		1074133	Washer (5/16 x 3/4 x 1/16")	1	2
NOTE: A - Battery tray design changed 9/13/99 and serves as a direct replacement for all chairs manufactured before 9/13/99 as well.					

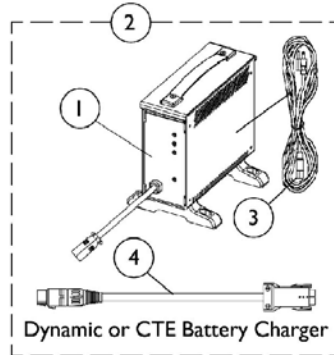
Battery Chargers and Harnesses



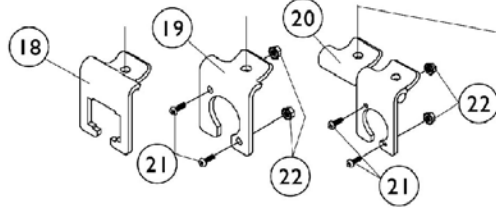
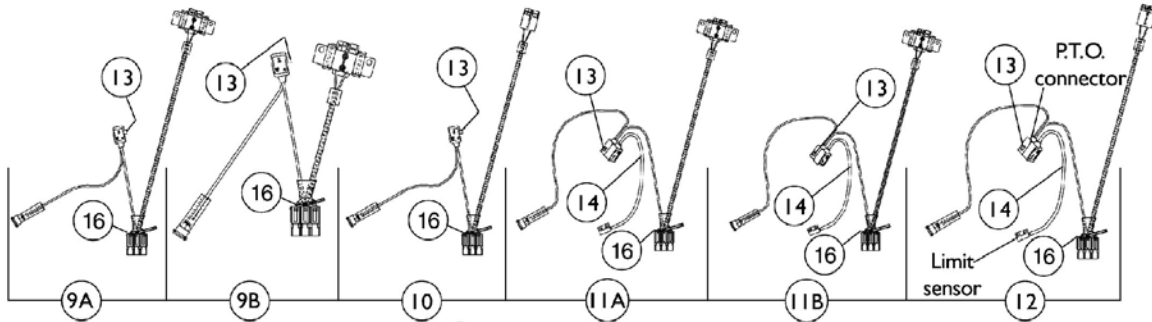
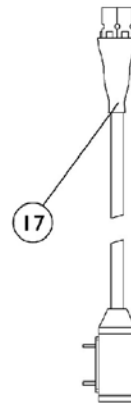
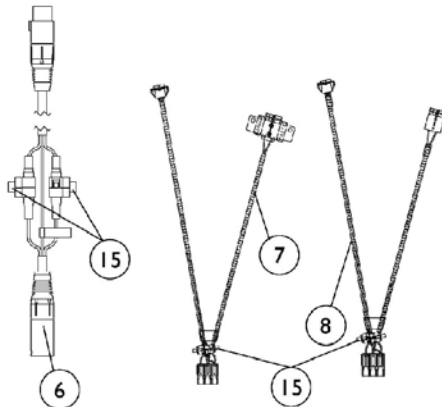
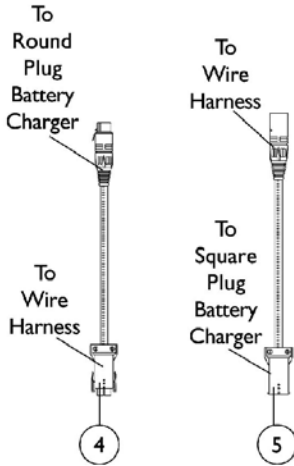
Lester Battery Charger
(Square Plug)



Lester Battery Charger
(Round Plug)



Dynamic or CTE Battery Charger



Square Before 2/20/95 **Round** After 2/19/95
Charger Connector Brackets

NOTE: The charger connector brackets share attaching hardware with the seat pan. Refer to the Seat Pan and Attaching Hardware page

Battery Chargers and Harnesses

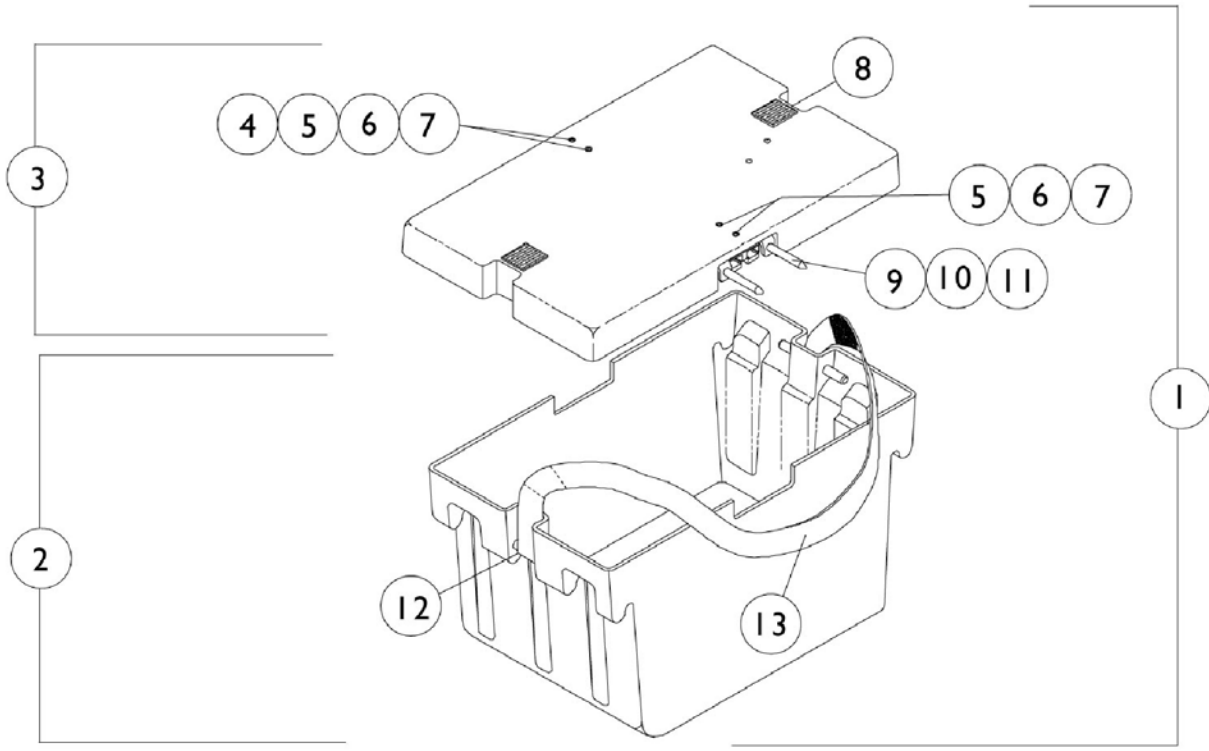
Item Number	Note	Part Number	Description	Quantity Per	
				Package	Assembly
1	A	1053163	Battery Charger, 8 Amp. 115vac (Off Board) Dual Mode Square Plug, Lester	1	1
1	A	1053161	Battery Charger, 8 Amp. 115vac (Off Board) Dual Mode Round Plug, Lester	1	1
	B	1053162-NLA	Battery Charger, 12 Amp. 115vac (Off Board), Dual Mode Round Plug, Lester	1	1
1		1085678-NLA	Battery Charger, 8 Amp. 115vac (Off Board) Dual Mode Round Plug w/ AC Power Line Cord, Dynamic	1	1
1	R,R1,S	1123249	Battery Charger, 8 Amp. 115vac (Off Board) Single Mode Round Plug w/ AC Power Line Cord, CTE Corp.	1	1
2	R,R1	1062556	Battery Charger, 8 Amp. 115vac (Off Board) Single Mode Round Plug w/ AC Power Line Cord and Square Plug Adapter Cable, CTE Corp.	1	1
3		1089627	Cord, AC Power Line 115vac, 2-prong - Off Board (11'6"L)	1	1
4	C	1053831	Cable, Adapter	1	1
5	D	1058891	Cable, Adapter	1	1
6		1083929	Cable, Charger Extension (24" Long Round Plug)	1	1
7	E	1042479	Wiring Harness, Storm, Mark IV	1	1
8	F	1050160	Wiring Harness, Storm X, Mark IV	1	1
9A	G	1095263	Wiring Harness, Round Plug, GP24 Dual Battery Boxes	1	1
9B	H	1092314	Wiring Harness w/ Black Battery Connector, Round Plug, GP24 Dual Battery Boxes	1	1
10	I	1092306	Wiring Harness, Round Plug, 22NF Single Battery Box	1	1
11A	J	1095264	Wiring Harness, Round Plug, GP24 Dual Battery Boxes	1	1
11B	K	1095265	Wiring Harness, Round Plug, GP24 Dual Battery Boxes	1	1
12	L	1095266	Wiring Harness, Round Plug, 22NF Single Battery Box	1	1
13		1090117	Fuse, 15 Amp. (Buss Mini ATM-15)	1	1
14	M	1092913	Cable, Drive Lockout Sensor	1	1
15	N,P	1098892	Fuse, 15 Amp. (Buss ATC-15)	1	2
15	O	1090117	Fuse, 15 Amp. (Buss Mini ATM-15)	1	2
16	N	1101099	Fuse, 20 Amp. (Buss ATC-20)	1	1
16	O	1119230	Fuse, 20 Amp. (Buss Mini ATM-20)	1	1
17		1098905	Cable Assembly, 24 Volt, Anderson/P.T.O.	1	1
18	T	1039369	Bracket, Charger Connector, Black	1	1
19	U	1053837	Bracket, Charger Connector, Black	1	1
20	V	1073872	Bracket, Charger Connector, Black	1	1
21		1021742	Screw, Phillips Pan Head (#4-40 x 1/2")	1	2
22		P0870X000	Nut, Hex Keps (#4-40)	1	2

Battery Chargers and Harnesses

Item Number	Note	Part Number	Description	Quantity Per	
				Package	Assembly
	Q	1095502	Package, Cable Ties (11-1/2")	10	1
<p>NOTE: A - On 7/18/01 Lester battery chargers were reinstated. The square plug model was offered on chairs made before 2/20/95. B - Not Shown C - New charger to old harness D - Old charger to new harness E - Before 2/20/95, square plug and for dual GP24 battery boxes F - Before 2/20/95, square plug and for single 22NF battery box G - 2/20/95-9/23/99 for A.S.B.A. non-recliner and all powered seating systems. H - After 9/23/99 for A.S.B.A. non- recliner and all powered seating systems. I - for A.S.B.A. non-recliner and all powered seating systems J - 2/20/95-9/23/99 for A.S.B.A. manual recliner. K - After 9/23/99 for A.S.B.A. manual recliner. L - For A.S.B.A. manual recliner M - Used when a manual A.S.B.A. recliner is present N - Before 4/1/03 O - After 3/31/03 P - Item 6 Charger Extension Cable before 4/1/03 takes only one 15 amp fuse Q - Not Shown R - CTE charger introduced 4/1/04. Used on Gel Cell or AGM (Absorbed Glass Mat) batteries. For wet cell batteries refer to the Lester charger. R1 - CTE charger looks exactly the same as Dynamic's charger except for the company name that is silk screened on the narrow side panel, where the charger plug is (hard wired) attached. Serial number starts with 04A00000001. S - Chairs made after 2/19/95 that have a round battery charger connector will use CTE charger part number 1123249. T - Square charger connector bracket used before 2/20/95 U - Round charger connector bracket used after 2/19/95 V - Item 20 will be used when "ALL FOUR" of the following parameters (14"-15" wide x 18" deep, low seat-to-floor and group 24 batteries) are configured "together" on a chair.</p> <p>NOTE: A fused power take off (P.T.O.) connector was added to all harnesses 3/21/00. Item 7 and 8 excluded.</p>					

Front Battery Box For Group 24 Batteries

NOTE: Gearless/ Brushless motors were made available on-chair as an option for Storm Arrow and Ranger X 4/1/99. On 7/1/99 Gearless/ Brushless motors became standard for Storm Arrow only.



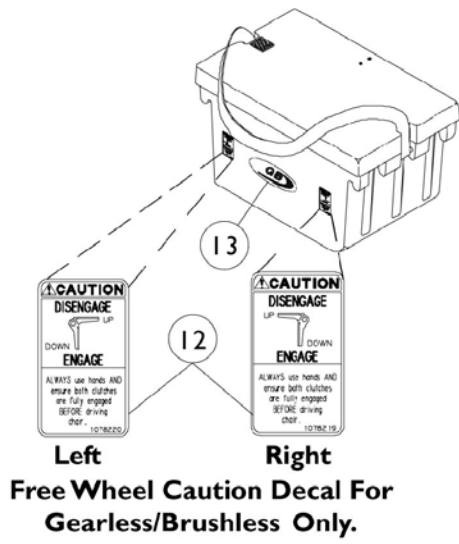
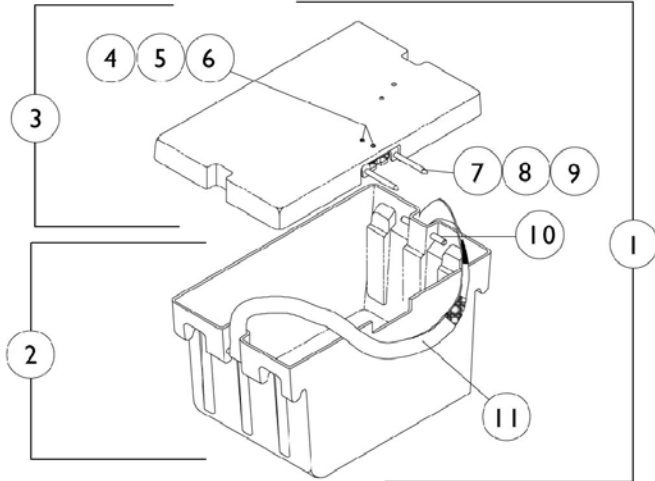
Front Battery Box For Group 24 Batteries

NOTE: Gearless/ Brushless motors were made available on-chair as an option for Storm Arrow and Ranger X 4/1/99. On 7/1/99 Gearless/ Brushless motors became standard for Storm Arrow only.

Item Number	Note	Part Number	Description	Quantity Per	
				Package	Assembly
1	C	1039705	Battery Box Assembly w/ Black Battery Connector, Front	1	1
2		1041439	Battery Box Bottom Assembly, Front	1	1
3		1041432	Battery Box Lid Assembly w/ Black Battery Connector, Front	1	1
4		1041420	Bracket, Connector Guide Mounting	1	2
5		1043599	Washer, Flat (5/32 x 3/8 x 1/32")	1	4
6		1039773	Screw, Phillips Pan Head (#6-32 x 1-1/8")	1	4
7		P0870X050	Nut, Keps (#6-32)	1	4
8		1070504	Fastener, Hook with Adhesive Back (1" x 1")	1	2
9		1041421	Pin, Connector Guide	1	2
10		1041422	Ring, Retaining	1	4
11		1041420	Bracket, Connector Guide Mounting	1	2
12		1041433	Pin, Handle	1	2
13		1041435	Handle Strap, Front Battery Box	1	1
	A,B	1041426	Harness, Front Wiring	1	1
	B	1052599	Kit, Upgrade Group 24 Batteries (Storm RX)	1	1
			Group 24 Battery Boxes w/ Mount	1	1
			Instruction Sheet, Storm X Battery Box Upgrade Kit	1	1
			Wiring Harness w/ Black Battery Connector, Round Plug, GP24 Dual Battery Boxes	1	1
			Cable Tie (11-1/2" Long)	1	4
	B,D	1080643	Kit, Upgrade Group 24 Batteries	1	1
			Instruction Sheet	1	1
			Wiring Harness w/ Black Battery Connector, Round Plug, GP24 Dual Battery Boxes	1	1
			Cable Tie (11-1/2" Long)	1	4
			Group 24 Battery Box w/ Mount	1	1

NOTE: A - Replace with item 3 #1041432 battery box lid assembly.
 B - Not Shown.
 C - Arrow, RX, Torque and Junior.
 D - Upgrade For Storm Arrow and RX.

Rear Battery Box For Group 24 Batteries



Rear Battery Box For Group 24 Batteries

Item Number	Note	Part Number	Description	Quantity Per	
				Package	Assembly
1	E	1041440	Battery Box Assembly w/ Black Battery Connector, Rear	1	1
1	F	1083048	Battery Box Assembly with Decal (G/B), Rear	1	1
2	E	1041438	Battery Box Bottom Assembly, Rear	1	1
2	F	1083049	Battery Box Bottom Assembly with Decals (G/B), Rear	1	1
3		1085414	Battery Box Lid Assembly w/ Black Battery Connector, Rear	1	1
4		1039773	Screw, Phillips Pan Head (#6-32 x 1-1/8")	1	2
5		1043599	Washer, Flat (5/32 x 3/8 x 1/32")	1	2
6		P0870X050	Nut, Keps (#6-32)	1	2
7		1041421	Pin, Connector Guide	1	2
8		1041422	Ring, Retaining	1	4
9		1041420	Bracket, Connector Guide Mounting	1	1
10		1041433	Pin, Handle	1	2
11		1041434	Handle Strap, Rear Battery Box	1	1
12		1078219	Decal, Free Wheel Caution (G/B) - Right	1	1
12		1078220	Decal, Free Wheel Caution (G/B) - Left	1	1
13		1079259	Decal, Gearless/Brushless	1	1
	D,G	1042740	Fuse, 30/50 amp (Shaumut 1-1/2")	1	1
	D,H	50000X166	Fuse, 60 Amp (Buss 2-1/4" Long)	1	1
	A,C,D	1085408	Fuse, 30 Amp (Buss Automotive) (G/B)	1	1
	D	1089385	Fuse, 80 Amp, MIDI (Non-G/B & G/B)	1	1
	B,D	1039726-NLA	Harness, Rear Wiring	1	1
	B,D	1085413-NLA	Wiring Harness - Rear (G/B)	1	1
	D	1052599	Kit, Upgrade Group 24 Batteries (Storm RX)	1	1
			Group 24 Battery Boxes w/ Mount	1	1
			Instruction Sheet, Storm X Battery Box Upgrade Kit	1	1
			Wiring Harness w/ Black Battery Connector, Round Plug, GP24 Dual Battery Boxes	1	1
			Cable Tie (11-1/2" Long)	1	4
	D,I	1080643	Kit, Upgrade Group 24 Batteries	1	1
			Instruction Sheet	1	1
			Wiring Harness w/ Black Battery Connector, Round Plug, GP24 Dual Battery Boxes	1	1
			Cable Tie (11-1/2" Long)	1	4
			Group 24 Battery Box w/ Mount	1	1

Rear Battery Box For Group 24 Batteries

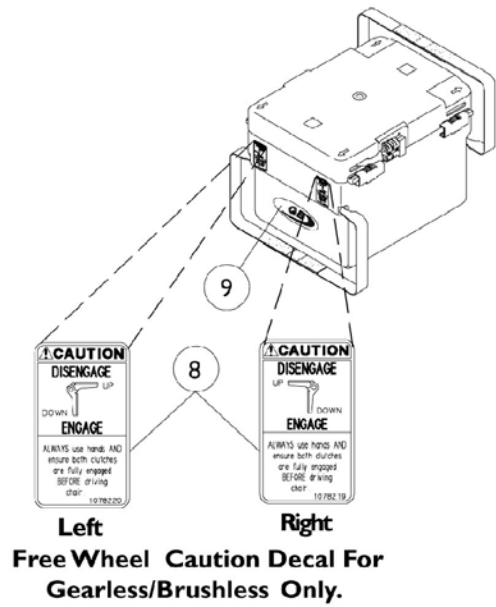
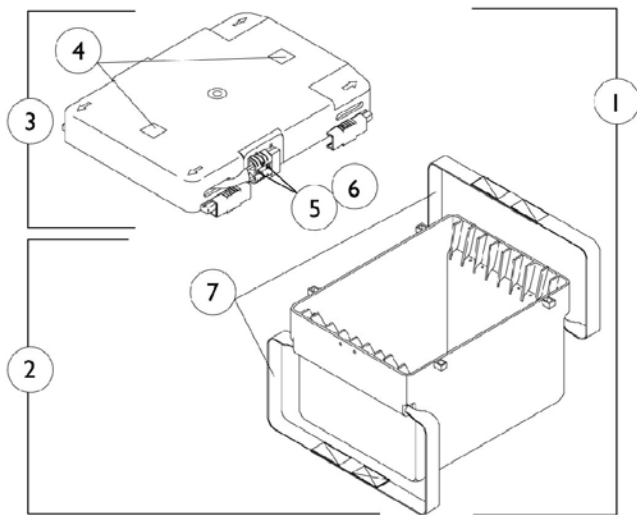
NOTE: A - Gearless/Brushless uses both 60 Amp and 30 Amp inline fuses.
B - Replace with item 3 #1085414 battery box lid assembly.
C - Before 6/15/00.
D - Not Shown.
E - Storm Arrow, RX, Torque and Junior.
F - Storm Arrow and RX.
G - Before 11/2/95.
H - 11/2/95 Thru 6/14/00.
I - Upgrade For Storm Arrow and RX.

NOTE: Gearless/Brushless motors became available on Storm Arrow and RX 4/1/99.

Battery Box

For Group 22NF Batteries

NOTE: Gearless/ Brushless motors were made available on-chair as an option for Storm Arrow and Ranger X 4/1/99. On 7/1/99 Gearless/ Brushless motors became standard for Storm Arrow only.



Battery Box

For Group 22NF Batteries

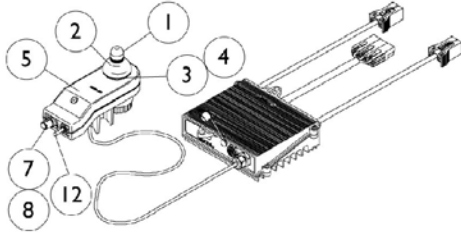
NOTE: Gearless/ Brushless motors were made available on-chair as an option for Storm Arrow and Ranger X 4/1/99. On 7/1/99 Gearless/ Brushless motors became standard for Storm Arrow only.

Item Number	Note	Part Number	Description	Quantity Per	
				Package	Assembly
1	E	1050175	Battery Box Assembly	1	1
1	D	1083050	Battery Box Assembly with Decals (G/B)	1	1
2	E	1049365	Battery Box Bottom with Straps	1	1
2	D	1083051	Battery Box Bottom with Straps and Decals (G/B)	1	1
3		1049366	Battery Box Lid Assembly	1	1
3	A	1085410-NLA	Battery Box Lid Assembly	1	1
4		1070504	Fastener, Hook with Adhesive Back (1" x 1")	1	2
5		1037901	Screw, Phillips Pan Head (#6-32 x 7/8")	1	2
6		P0870X050	Nut, Keps (#6-32)	1	2
7		50000X121	Strap, Battery Lift	1	1
8		1078219	Decal, Free Wheel Caution (G/B) - Right	1	1
8		1078220	Decal, Free Wheel Caution (G/B) - Left	1	1
9		1079259	Decal, Gearless/Brushless	1	1
	C	50000X123	Cable, Battery Jumper	1	1
	C,F	1042740	Fuse, 30/50 amp (Shaumut 1-1/2")	1	1
	C,G	50000X166	Fuse, 60 Amp (Buss 2-1/4" Long)	1	1
	B,C,H	1085408	Fuse, 30 Amp (Buss Automotive) (G/B)	1	1
	C,I	1089385	Fuse, 80 Amp, MIDI (Non-G/B & G/B)	1	1

NOTE: A - After 12/7/99 Gearless/Brushless models use #1049366 battery box lid assembly and serves as a direct replacement for all chairs manufactured before 12/8/99 as well.
 B - Gearless/Brushless uses both 60 Amp and 30 Amp inline fuses.
 C - Not Shown.
 D - Storm Arrow and RX.
 E - Storm RX.
 F - Before 11/2/95.
 G - 11/2/95 Thru 12/7/99.
 H - Before 12/8/99.
 I - After 12/7/99.

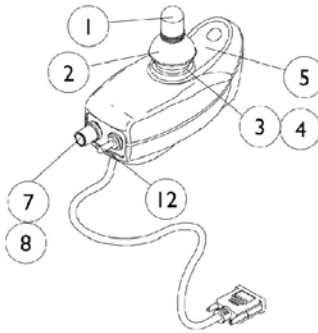
MKIV Joysticks

RII, RX, A, A+, TCHJOY

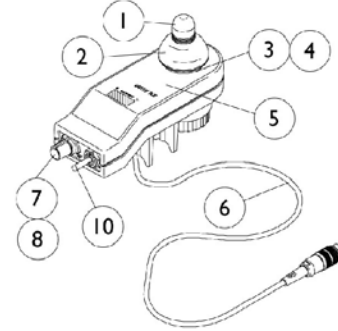


1080723NLA
RII Joystick/Controller
Before 5/1/00

⊗ For chairs made before 5/1/00,
the following must be ordered :
RII Joystick part # (1092610)
RII Retro Controller part # (1095269)
Remote Programmer part # (1109091)



1092610
RII Joystick
After 4/30/00



1038603
RX Joystick



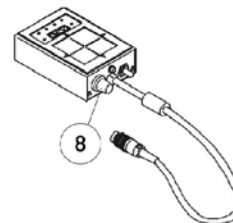
1038604
A Joystick
Before 9/1/96



1065944
A Joystick
After 8/31/96



1038608
A+ Joystick



1095289
TCHJOY
Touchpad "A"
Joystick

MKIV Joysticks RII, RX, A, A+, TCHJOY

Item Number	Note	Part Number	Description	Quantity Per	
				Package	Assembly
	A,C	1080723-NLA	Joystick/Controller, MKIV RII	1	1
	B	1095269	Controller, MKIV RII Retro	1	1
	B	1109091	Programmer, Remote	1	1
	B	See Chart	MKIV Joysticks	1	1

NOTE: A - For chairs made before 5/1/00, the following must be ordered, RII Joystick #1092610, RII Retro Controller #1095269 and Remote Programmer #1109091.
 B - Not Shown.
 C - For joystick inductive and switch components, refer to chart under RII joystick assembly #1092610.

Item Number	Description	RII	RX	A		A+	TCHJOY
				Before 9/1/96	After 8/31/96		
See Pictorial	Joystick Assembly	1092610	1038603-NLA	1038604-NLA	1065944	1038608	1095289
1	Knob, Joystick	1040217	1040217	1040217	1040217	1040217	N/A
2	Skirt, Joystick	1040218	1040218	1040218	1040218	1040218	N/A
3	Inductive, Joystick	1036764 See Note(s) B	1036764 See Note(s) C	1036764 See Note(s) B	1036764 See Note(s) C	1036764 See Note(s) B	N/A
3	Inductive, Joystick	N/A	1104397 See Note(s) D	N/A	1104397 See Note(s) D	N/A	N/A
4	Boot, Joystick	50000X364	50000X364	50000X364	50000X364	50000X364	N/A
5	Overlay, Joystick Decal	1049692-NLA See Note(s) A	1038642	1040190	1040190	1036776	N/A
6	Cable Assembly	N/A See Note(s) A	1036750 See Note(s) C	1036750 See Note(s) B	1036750 See Note(s) C	1036750 See Note(s) B	N/A
6	Cable Assembly	N/A	1104205 See Note(s) D	N/A	1104205 See Note(s) D	N/A	N/A
7	Potentiometer, Speed	1040225 See Note(s) B	1040225 See Note(s) C	N/A	1040225 See Note(s) C	N/A	N/A
7	Potentiometer, Speed	N/A	1115518 See Note(s) D	N/A	1115518 See Note(s) D	N/A	N/A
8	Knob, Potentiometer	1025516	1025516	N/A	1025516	N/A	1025516
9	Switch, On/Off Momentary	N/A	N/A	1040185 See Note(s) B	1040185 See Note(s) C	1040185 See Note(s) B	N/A
9	Switch, On/Off Momentary	N/A	N/A	N/A	1115523 See Note(s) D	N/A	N/A

MKIV Joysticks

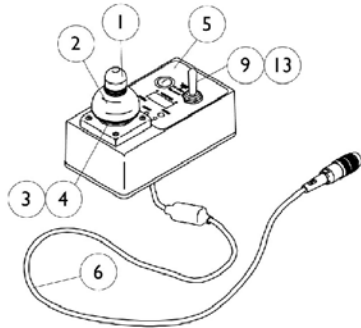
RII, RX, A, A+, TCHJOY

Item Number	Description	RII	RX	A Before 9/1/96	A After 8/31/96	A+	TCHJOY
10	Switch, Off/ 1-2	N/A	1038627 See Note(s) C	N/A	N/A	N/A	N/A
10	Switch, Off/ 1-2	N/A	1115521 See Note(s) D	N/A	N/A	N/A	N/A
11	Switch, Program	N/A	N/A	N/A	N/A	1040186 See Note(s) B	N/A
12	Switch, Toggle SPDT	1010042 See Note(s) B	N/A	N/A	N/A	N/A	N/A
NOTE: A - Cable assembly and joystick overlay decal for RII joystick before 10/01/02 and after 9/30/02 are not available. B - Item requires soldering. C - Before 10/01/02 item requires soldering. D - After 9/30/02 item has a non-solder connector.							

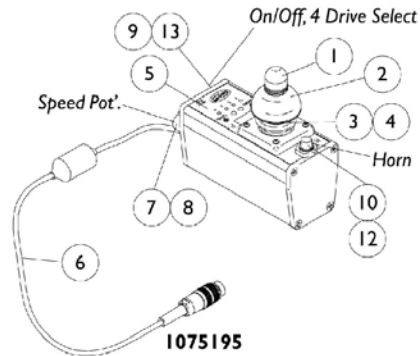
MKIV Joysticks

PS, PSF and PSR

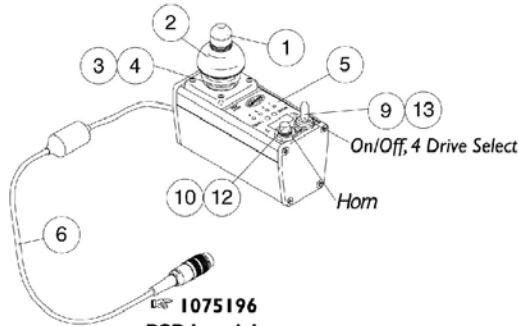
NOTE: PSR STANDARD joystick configuration below show the on/off switch on the left side for part # 1075196. When the on/off switch is required on the right side, refer to part number 8881075196 and order as a configured part.



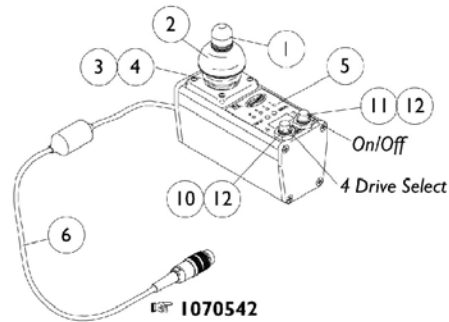
1058468 NLA
PS Joystick
Before 12/1/97



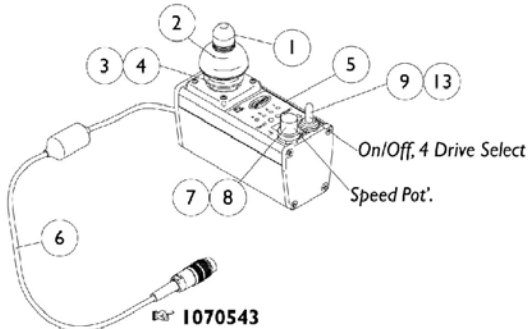
1075195
PSF Joystick
After 11/30/97



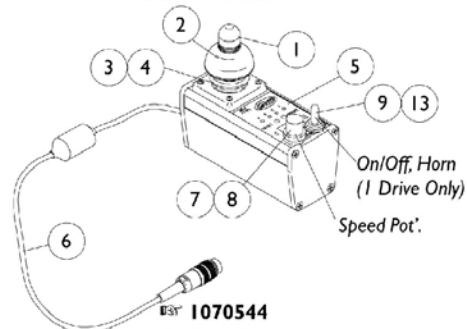
1075196
PSR Joystick
ON CHAIR: STANDARD
After 11/30/97



1070542
PSR Joystick without Horn
ON CHAIR: PBOD/OL
After 11/30/97



1070543
PSR Joystick without Horn
ON CHAIR: RHSS/OL
After 11/30/97



1070544
PSR Joystick
ON CHAIR: TOHSS/OL
After 11/30/97

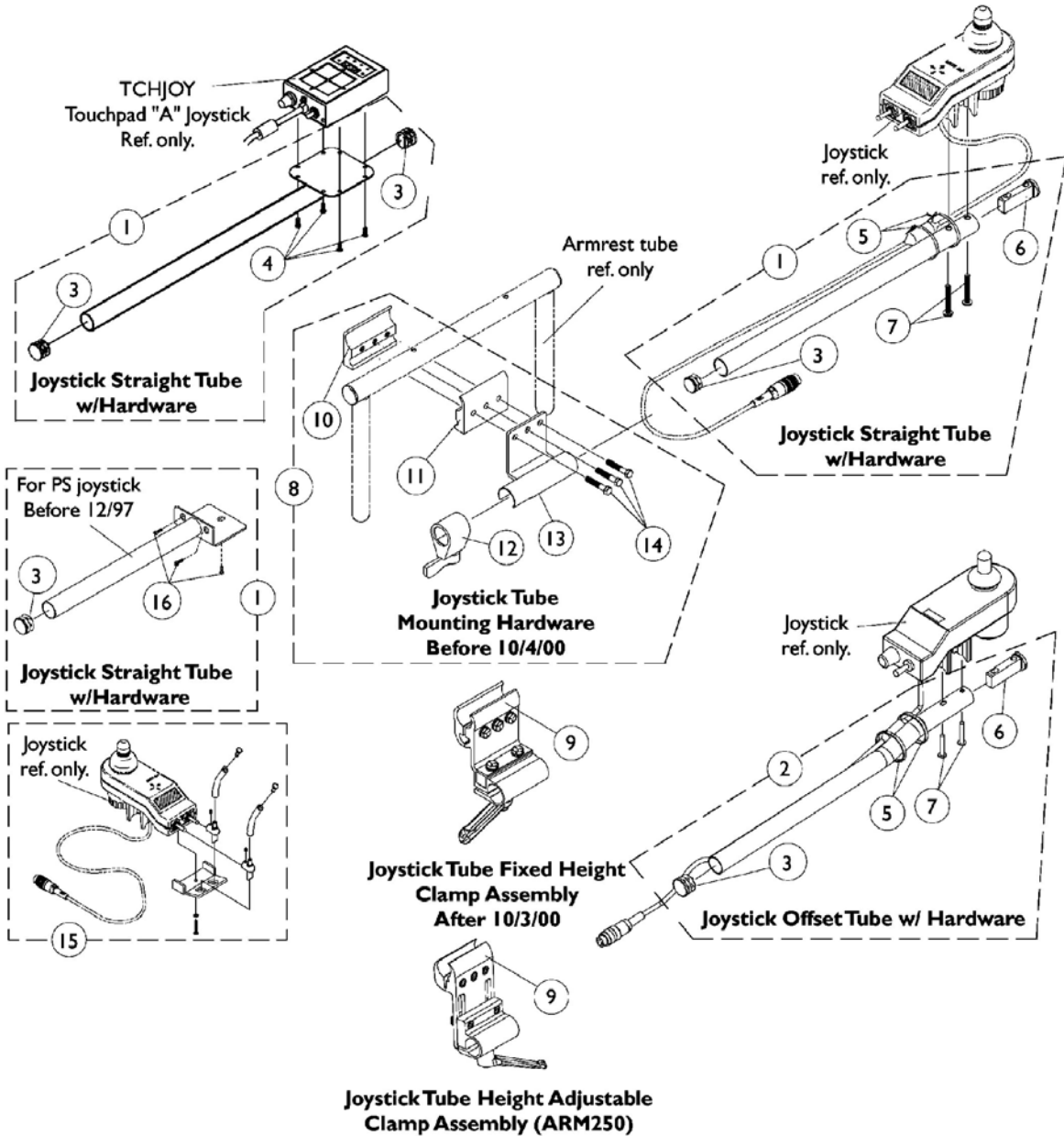
- STANDARD:** This PSR joystick includes a toggle on/off combined with a drive select and a push button horn. No speed selector.
- PBOD:** This PSR joystick includes push button on/off with a push button drive select. This gives you access to the four drives, but no horn and no speed select.
- RHSS:** This PSR joystick replaces the horn with a speed selector. This allows you to deviate from having a horn to having a speed select dial, plus the drive selector to the four drives.
- TOHSS:** This PSR joystick includes a toggle on/off with horn and a speed select dial. You have access to only one drive.
- OL:** On/Off positioned on left side of the PSR joystick.
- OR:** On/Off positioned on right side of the PSR joystick.

MKIV Joysticks PS, PSF and PSR

NOTE: PSR STANDARD joystick configuration below show the on/off switch on the left side for part # 1075196. When the on/off switch is required on the right side, refer to part number 8881075196 and order as a configured part.

Item Number	Description	PS Before 12/1/97	PSF After 11/30/97	PSR After 11/30/97
See Pictorial	Joystick Assembly	N/A	N/A	1075196
See Pictorial	Joystick Assembly	1058468-NLA	8881075195	8881075196
See Pictorial	Joystick Assembly	N/A	N/A	1070542
See Pictorial	Joystick Assembly	N/A	N/A	1070543
See Pictorial	Joystick Assembly	N/A	N/A	1070544
1	Knob, Joystick	1040217	1040217	1040217
2	Skirt, Joystick	1040218	1040218	1040218
3	Inductive, Joystick	1036764	1036764	1036764
4	Boot, Joystick	50000X364	50000X364	50000X364
5	Overlay, Joystick Decal	1058460-NLA	1075034	1079925
6	Cable Assembly	1036750	1036750	1036750
7	Potentiometer Speed	N/A	1040225	1040225
8	Knob Potentiometer	N/A	1025516	1025516
9	Switch, On/Off Momentary	1040185	1040185	1040185
10	Switch, Push Button SPST Momentary	N/A	1010047	1010047
11	Switch, Push Button SPST	N/A	N/A	1010048
12	Boot, Switch	N/A	1010049	1010049
13	Boot, Switch	1058464	1058464	1058464

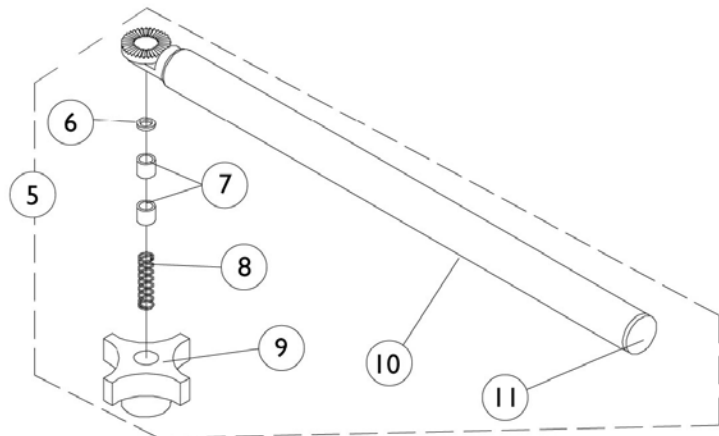
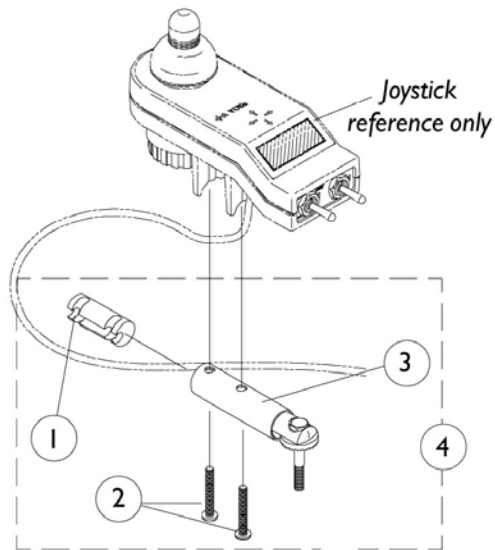
MKIV Joystick Mounting Hardware and Joystick Accessories



MKIV Joystick Mounting Hardware and Joystick Accessories

Item Number	Note	Part Number	Description	Quantity Per	
				Package	Assembly
1	A	1092604	Kit, Straight Joystick Tube with Hardware	1	1
1	B	1052719	Kit, Straight Joystick Tube with Hardware	1	1
1	C	1043568	Kit, Straight Joystick Tube with Hardware	1	1
2	D,D1,E	1093069	Kit, 1/2" Offset Joystick Tube with Hardware	1	1
3	F	1027095	Plug Button, Black (7/8")	1	1
4		1052041	Screw, Phillips Pan Head (#4-40 x 3/8")	1	4
5		1095502	Package, Cable Ties (11-1/2")	10	1
6		1093063	Spacer, Joystick Tube	1	1
7		7930327	Screw, Phillips Pan Head (#10-32 x 1-1/8")	1	1
8	G	1049591	Hardware, Joystick Tube Mounting	1	1
9	D,D1,H	1093071	Clamp, Fixed Height Joystick Tube	1	1
9	I	1139422	Clamp, Height Adjustable Joystick Tube (ARM250)	1	1
10		1027267	Half Clamp, Threaded Holes	1	1
11		1027266	Half Clamp, Non-Threaded Holes	1	1
12		1027274	Lock, Adjustment (Black)	1	1
13		1049582	Bracket, Joystick Mounting, Black	1	1
14		16690X004	Screw, Hex Head (1/4-20 x 1-1/8")	1	3
15		1055736	Toggle Switch Extension Kit	1	1
16		1016401	Screw, Phillips Round Head (#10-32 x 3/8")	1	3
	J	1006270	Joystick Extension - "T" Style (1560) (4" Wide x 5-1/2" Long)	1	1
	J	1006271	Joystick Extension - Straight Style (1561) (1/2" Wide x 5" Long)	1	1
<p>NOTE: A - For TCHJOY Touch Pad "A" or TCPDM4 Touch Pad Joystick and includes the joystick tube, items 3 and 4 B - For PS joystick before 12/1/97 and includes the joystick tube, items 3 and 16 C - For MKIV RII, RX, A, A+, PSF/PSR joysticks before 10/4/00 and includes the joystick tube, items 3 and 5-7 D - The joystick straight tube changed to an offset joystick tube on 10/4/00. The joystick tube mounting hardware also changed to a new fixed height clamp assembly to allow an individual to use an D1 - adjustment lever to securely hold the joystick tube in place. The fixed height joystick tube clamp can be used as a direct replacement in the field for the joystick tube mounting hardware part number 1049591 manufactured for chairs before 10/4/00. E - For MKIV RII, RX, A, A+, PSF/PSR joysticks after 10/3/00 and includes the offset joystick tube, items 3 and 5-7 F - The Touch Pad joystick tube takes a quantity of 2 plug buttons G - For (PS joystick before 12/1/97), TCHJOY and MKIV RII, RX, A, A+, PSF/PSR joystick before 10/4/00 and includes items 10-14 H - For MKIV RII, RX, A, A+, PSF/PSR joystick after 10/3/00. Individual components are non-saleable I - Can be used to replace a Fixed Height Joystick Tube Clamp in the field. Individual components are non-saleable J - Not Shown</p>					

MKIV Swivel Joystick Hardware

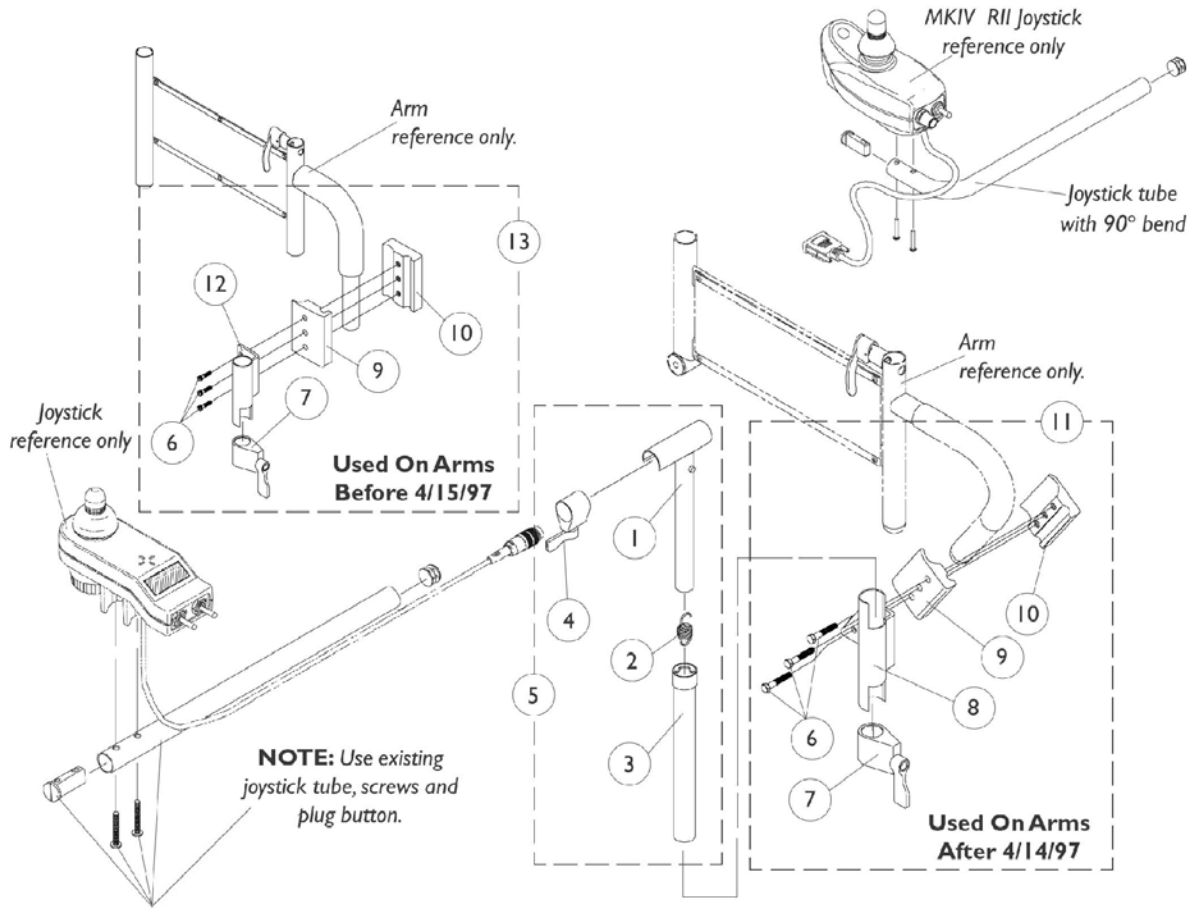


MKIV Swivel Joystick Hardware

Item Number	Note	Part Number	Description	Quantity Per	
				Package	Assembly
1		1093063	Spacer, Joystick Tube	1	1
2		7930327	Screw, Phillips Pan Head (#10-32 x 1-1/8")	25	3
3		1049962	Swivel Joystick Bracket, MKIV	1	1
4		1049963	Swivel Joystick Bracket with Hardware	1	1
5		1035986	Swivel Joystick Tube with Hardware	1	1
6		1020551	Washer, Flat (1/4 x 3/8 x 1/16")	1	1
7		1005844	Bushing	1	2
8		1002511	Spring, Hitch Bracket	1	1
9		1023670	Knob, Clamping	1	1
10		1035990	Tube, Swivel Joystick	1	1
11		1027095	Plug Button, Black (7/8")	1	1

Electronics - MKIV Mid-Line Swing Bracket Assembly

NOTE: Joystick tube with 90° bend replaces the standard tube when joystick PSF, PSR and (R11 #1092610) are used. Joystick Tube with 90° bend must be ordered as a special when a replacement is needed.



Electronics - MKIV Mid-Line Swing Bracket Assembly

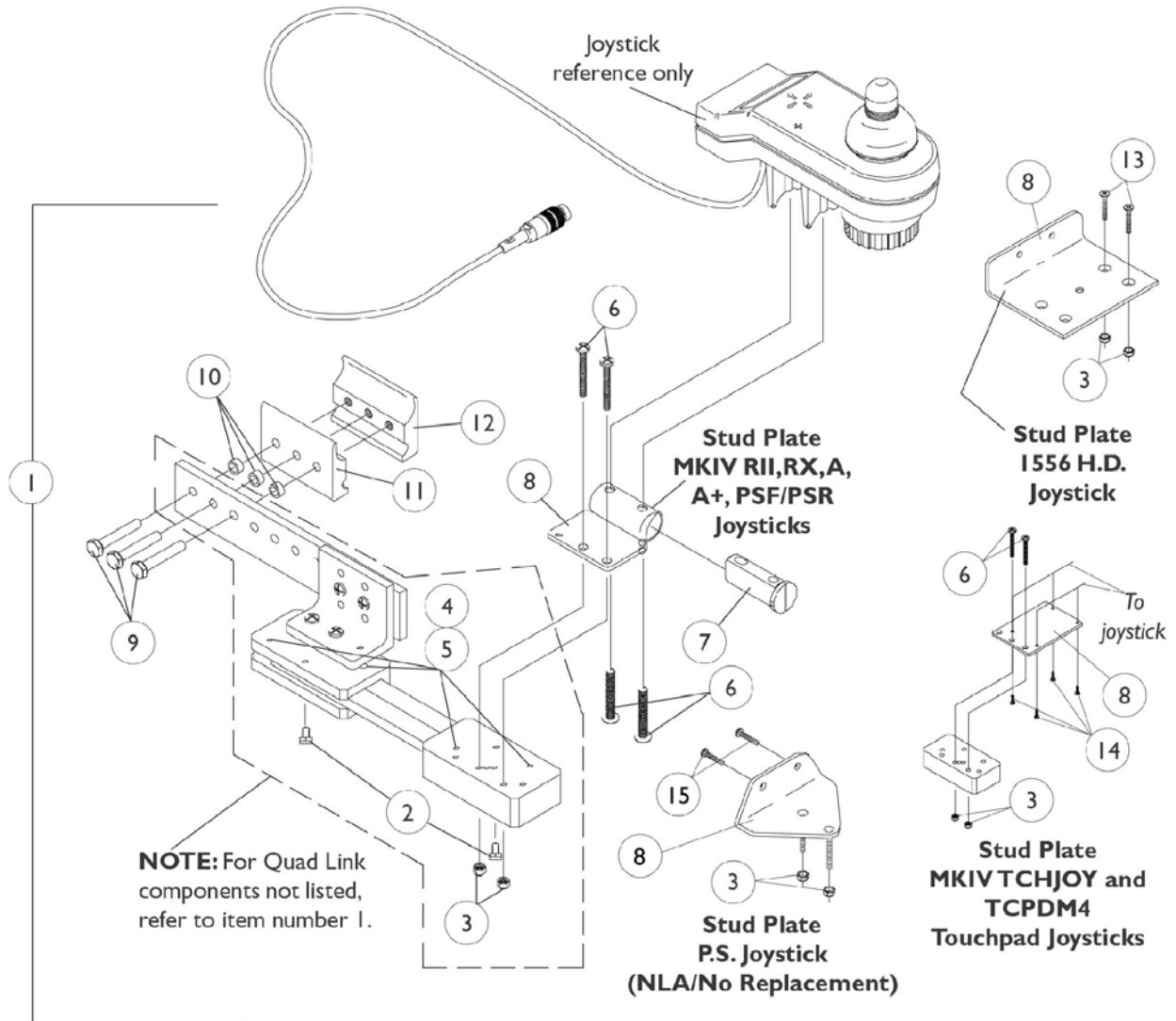
NOTE: Joystick tube with 90° bend replaces the standard tube when joystick PSF, PSR and (R11 #1092610) are used. Joystick Tube with 90° bend must be ordered as a special when a replacement is needed.

Item Number	Note	Part Number	Description	Quantity Per	
				Package	Assembly
1		1035528	Adjustment Tube, (Inside) Mid-Line	1	1
2		1016778	Spring, Extension	1	1
3		1035860	Adjustment Tube, (Outside) Mid-Line	1	1
4		1027274	Lock, Adjustment (Black)	1	1
5	B	1035852	Swing Bracket Assembly, Mid-Line	1	1
6		7930349	Screw, Hex Head (1/4-20 x 1-1/8")	25	3
7		1027274	Lock, Adjustment (Black)	1	1
8	A	1071879	Bracket, Joystick Mounting, Black	1	1
9		1027266	Half Clamp, Non-Threaded Holes	1	1
10		1027267	Half Clamp, Threaded Holes	1	1
11	A,C	1071880	Hardware, Attaching Mid-Line	1	1
12		1049582	Bracket, Joystick Mounting, Black	1	1
13	D	1049591	Hardware, Joystick Tube Mounting	1	1

NOTE: A - Left side joystick mounting bracket or hardware must be ordered as a special.
 B - Includes Items 1-4.
 C - Includes Items 6-10.
 D - Includes Items 6, 7, 8, 9, 10 and 12.

Quad Link Assembly

Before 4/07/06



Quad Link Assembly Before 4/07/06

Item Number	Note	Part Number	Description	Quantity Per		
				Package	Assembly	
1	A	1052402	Kit, Quad Link Assembly - Right	1	1	
2			Ball Plunger with Lock Washer Assembly	2	1	
3			Locknut (#10-32)	1	2	
4			Screw, Socket Head (#10-32 x 1/2")	1	4	
5			Bushing, Bronze (3/16 x 1/4 x 1/4")	1	4	
6			Screw, Phillips Pan Head (#10-32 x 1-1/8")	1	4	
7			Spacer, Joystick Tube	1	1	
8			Stud Plate, Quad Link	1	1	
9			Screw, Hex Head (1/4-20 x 1-1/2")	1	3	
10			Spacer (1/4 x 3/8 x 3/16")	1	3	
11			Half Clamp, Non-Threaded Holes	1	1	
12			Half Clamp, Threaded Holes	1	1	
1	A	1115372	Kit, Quad Link Assembly - Left	1	1	
2			Ball Plunger with Lock Washer Assembly	2	1	
3			Locknut (#10-32)	1	2	
4			Screw, Socket Head (#10-32 x 1/2")	1	4	
5			Bushing, Bronze (3/16 x 1/4 x 1/4")	1	4	
6			Screw, Phillips Pan Head (#10-32 x 1-1/8")	1	4	
7			Spacer, Joystick Tube	1	1	
8			Stud Plate, Quad Link	1	1	
9			Screw, Hex Head (1/4-20 x 1-1/2")	1	3	
10			Spacer (1/4 x 3/8 x 3/16")	1	3	
11			Half Clamp, Non-Threaded Holes	1	1	
12			Half Clamp, Threaded Holes	1	1	
1	B,E	1034703-NLA	Kit, Quad Link Assembly - Right	1	1	
2			Ball Plunger with Lock Washer Assembly	2	1	
3			Locknut (#10-32)	1	2	
4			Screw, Socket Head (#10-32 x 1/2")	1	4	
5			Bushing, Bronze (3/16 x 1/4 x 1/4")	1	4	
8			Stud Plate, Quad Link For 1556 Heavy Duty Joystick	1	1	
9			Screw, Hex Head (1/4-20 x 1-1/2")	1	3	
10			Spacer (1/4 x 3/8 x 3/16")	1	3	
11			Half Clamp, Non-Threaded Holes	1	1	
12			Half Clamp, Threaded Holes	1	1	
13			Screw, Phillips Flat Head Countersunk (#10-32 x 1-1/8")	1	2	
1	B		1114866	Kit, Quad Link Assembly - Left	1	1
2				Ball Plunger with Lock Washer Assembly	2	1
3		Locknut (#10-32)		1	2	
4		Screw, Socket Head (#10-32 x 1/2")		1	4	
5		Bushing, Bronze (3/16 x 1/4 x 1/4")		1	4	
8		Stud Plate, Quad Link For 1556 Heavy Duty Joystick		1	1	

Quad Link Assembly Before 4/07/06

Item Number	Note	Part Number	Description	Quantity Per	
				Package	Assembly
9			Screw, Hex Head (1/4-20 x 1-1/2")	1	3
10			Spacer (1/4 x 3/8 x 3/16")	1	3
11			Half Clamp, Non-Threaded Holes	1	1
12			Half Clamp, Threaded Holes	1	1
13			Screw, Phillips Flat Head Countersunk (#10-32 x 1-1/8")	1	2
1	C	1102027	Kit, Quad Link Assembly - Right For TCHJOY/TCPDM4 Touchpad	1	1
2			Ball Plunger with Lock Washer Assembly	2	1
3			Locknut (#10-32)	1	2
4			Screw, Socket Head (#10-32 x 1/2")	1	4
5			Bushing, Bronze (3/16 x 1/4 x 1/4")	1	4
6			Screw, Phillips Pan Head (#10-32 x 1-1/8")	1	2
8			Stud Plate, Quad Link MKIV TCHJOY/TCPDM4	1	1
9			Screw, Hex Head (1/4-20 x 1-1/2")	1	3
10			Spacer (1/4 x 3/8 x 3/16")	1	3
11			Half Clamp, Non-Threaded Holes	1	1
12			Half Clamp, Threaded Holes	1	1
14			Screw, Phillips Flat Head Countersunk (#4-40 x 3/8")	1	4
1	D	1106191-NLA	Kit, Quad Link Assembly - Right For PS joystick	1	1
2			Ball Plunger with Lock Washer Assembly	2	1
3			Locknut (#10-32)	1	2
4			Screw, Socket Head (#10-32 x 1/2")	1	4
5			Bushing, Bronze (3/16 x 1/4 x 1/4")	1	4
8			Stud Plate, Quad Link P.S. Joystick	1	1
9			Screw, Hex Head (1/4-20 x 1-1/2")	1	3
10			Spacer (1/4 x 3/8 x 3/16")	1	3
11			Half Clamp, Non-Threaded Holes	1	1
12			Half Clamp, Threaded Holes	1	1
15			Screw, Phillips Pan Head (#10-32 x 3/4")	1	2
2		1114863	Ball Plunger with Lock Washer Assembly	2	1
<p>NOTE: A - Includes the Quad Link, items 2-12 and used with MKIV RII, RX, A, A+, PSF/PSR joysticks B - Includes the Quad Link, items 2-5, 8-13 and used with a 1556 Heavy Duty joystick C - Includes the Quad Link, items 2-6, 8-12, 14 and used with MKIV TCHJOY/TCPDM4 joysticks. For left side mounted Quad Link, order as a special. D - Includes the Quad Link, items 2-5, 8-12, 15 and used with a PS joystick E - Quad Link Assembly is no longer available. Please see Quad Link Assembly (After 4/06/06) category and use new Quad Link design as a replacement.</p>					

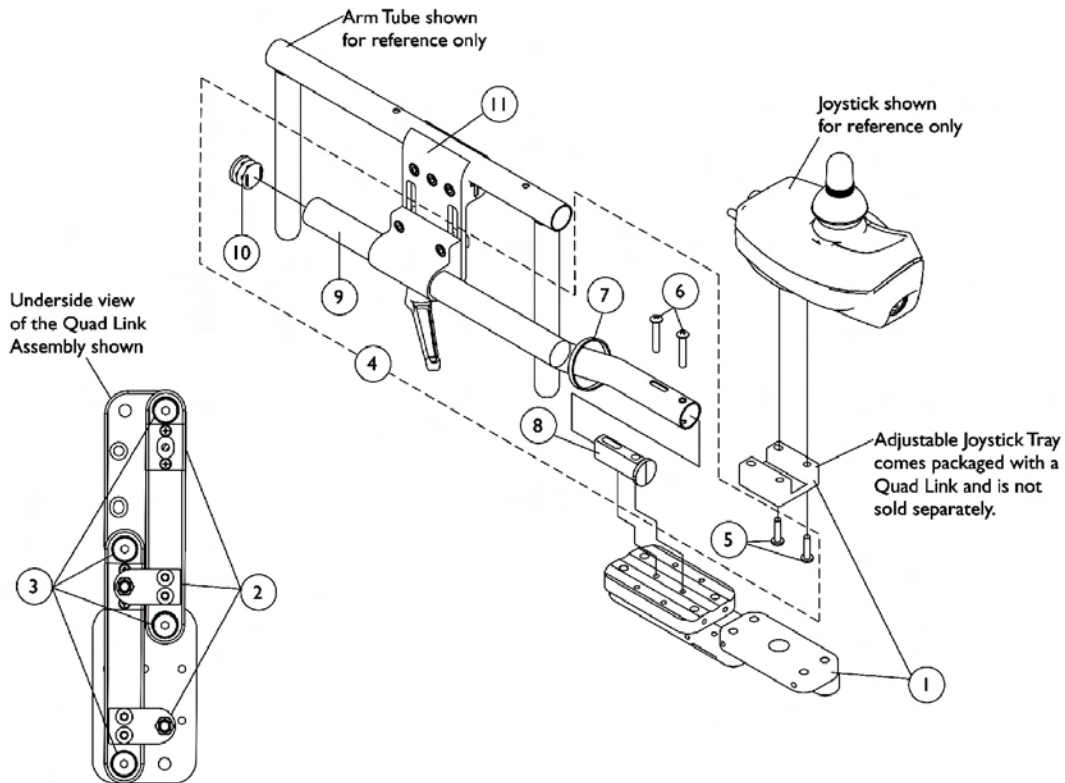
Quad Link (QLA)

After 4/06/06

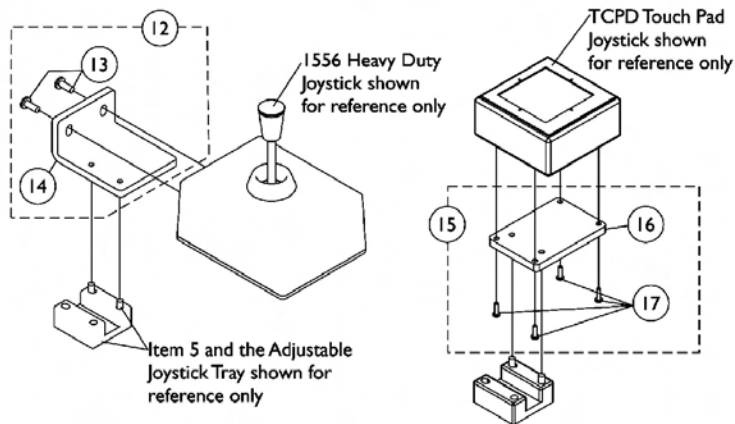
When converting an old style Quad Link that attaches to a mounting plate or (a Flex Tube or Touch Pad Joystick Tube) is currently on the chair then order the following:

Quad Link Mtg. Hdw. (item 4), Quad Link (item 1) & Ht. Adj. Joystick Tube Clamp (item 11)

NOTE: Substitute (item 4) with 2 ea. of the PPH Screws (item 5) when an offset joystick tube is currently on the chair. Additional Joystick Mtg. Hdw. must be ordered when a 1556 Heavy Duty or TCPD Touch Pad joystick are used.



Screw Fastener and Quad Link Latch Hardware



Quad Link (QLA) After 4/06/06

When converting an old style Quad Link that attaches to a mounting plate or (a Flex Tube or Touch Pad Joystick Tube) is currently on the chair then order the following:

Quad Link Mtg. Hdwr. (item 4), Quad Link (item 1) & Ht. Adj. Joystick Tube Clamp (item 11)

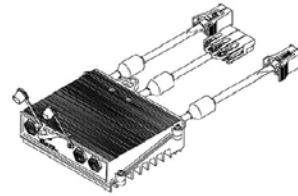
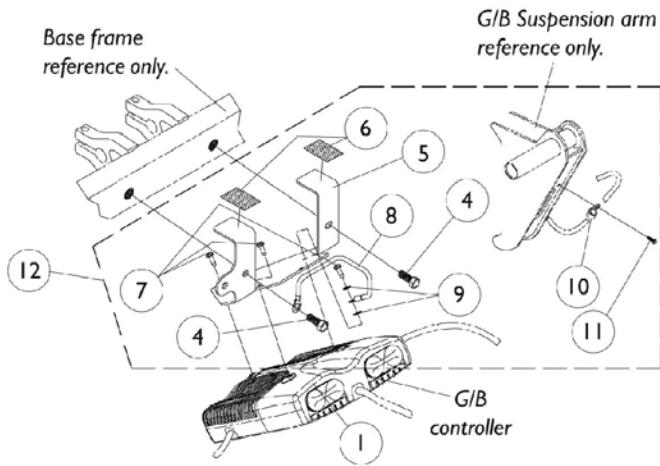
NOTE: Substitute (item 4) with 2 ea. of the PPH Screws (item 5) when an offset joystick tube is currently on the chair. Additional Joystick Mtg. Hdwr. must be ordered when a 1556 Heavy Duty or TCPD Touch Pad joystick are used.

Item Number	Note	Part Number	Description	Quantity Per	
				Package	Assembly
1		1140896	Quad Link with Adjustable Joystick Tray (QLA) and Instruction Sheet - Right	1	1
1		1140897	Quad Link with Adjustable Joystick Tray (QLA) and Instruction Sheet - Left	1	1
2	A	1140425	Kit, Quad Link Latch Hardware	1	1
3	B	1140424	Kit, Quad Link Screw Fastener Hardware	1	1
4	C,C1	1139416	Kit, ASBA/ADJASBA Quad Link Mounting Hardware	1	1
5			Screw, Phillips Pan Head w/ Patch (10-32 x 3/4")	1	2
6			Screw, Phillips Pan Head (#10-32 x 1-1/8")	1	2
7			Cable Tie (11-1/2" Long)	1	1
8			Spacer, Joystick Tube	1	1
9			Tube, Joystick 1/2" Offset	1	1
10			Plug Button, Black (7/8")	1	1
5		1105414	Screw, Phillips Pan Head w/ Patch (10-32 x 3/4")	1	2
11	G	1139422	Clamp, Height Adjustable Joystick Tube (ARM250)	1	1
12	D	1139925-NLA	Kit, 1556 Heavy Duty Joystick To Quad Link Mounting Hardware	1	1
13			Screw, Phillips Pan Head (#10-32 x 1/2")	1	2
14			Plate, 1556 HD Joystick Quad Link	1	1
15	E	1139683	Kit, TCPD Touch Pad To Quad Link Mounting Hardware	1	1
16			Plate, TCPD Touch Pad Quad Link	1	1
17			Screw, Phillips Pan Head (#4-40 x 3/8")	1	4
	F	1134844	Instruction Sheet, Quad Link	1	1

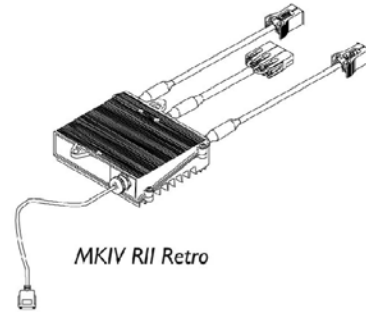
NOTE: A - Latch Kit includes 4 ea. Button Head Cap Screws (10-32 x 3/8"), 2 ea. Latch Spring Assembly, 4 ea. Phillips Flat C'Sunk Head Screws, 2 ea. Spring Catch Plates, 2 ea. Socket Head Set Screws (10-32 x 3/8")
 B - Screw Fastener Kit includes 4 ea. Socket Head Shoulder Screws (3/8 x 3/8"), 2 ea. Socket Head Cap Screws (1/4-20 x 3/8"), 2 ea. Socket Head Set Screws (1/4-20 x 1/2"), 4 ea. Socket Head Set Screws (10-32 x 1/8")
 C - Includes items 5-10. The Quad Link Mounting Hardware accommodates MKIV RII, RX, A, A+, PSF/PSR joysticks.
 C1 - When ordering the Quad Link for the first time, Additional hardware is required for 1556 Heavy Duty and TCPD Touch Pad joysticks. See pictorial for reference.
 D - Includes items 13 and 14
 E - Includes items 16 and 17
 F - Not Shown
 G - Individual components are non-saleable

MKIV Controller, Programmer and Hardware

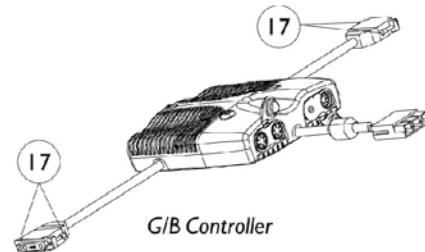
NOTE: Gearless/ Brushless motors were made available on-chair as an option for Storm Arrow and Ranger X 4/1/99. On 7/1/99 Gearless/ Brushless motors became standard for Storm Arrow only.



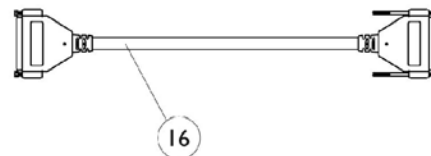
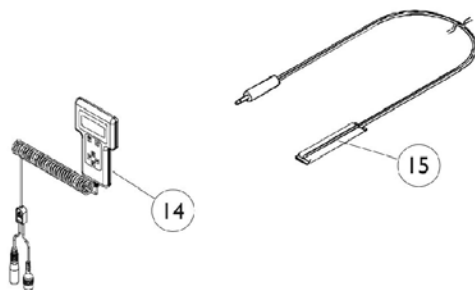
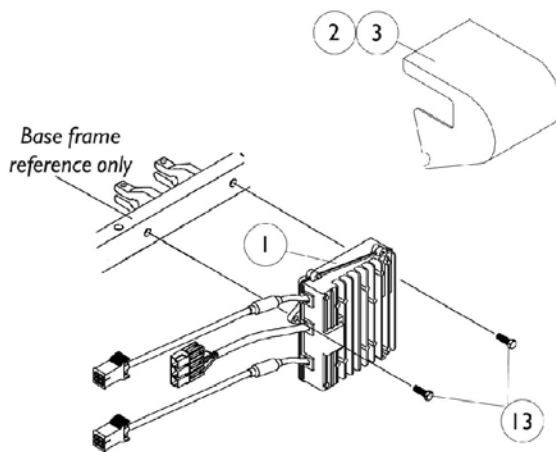
MKIV Quad Pulse



MKIV RII Retro



G/B Controller



MKIV Controller, Programmer and Hardware

NOTE: Gearless/ Brushless motors were made available on-chair as an option for Storm Arrow and Ranger X 4/1/99. On 7/1/99 Gearless/ Brushless motors became standard for Storm Arrow only.

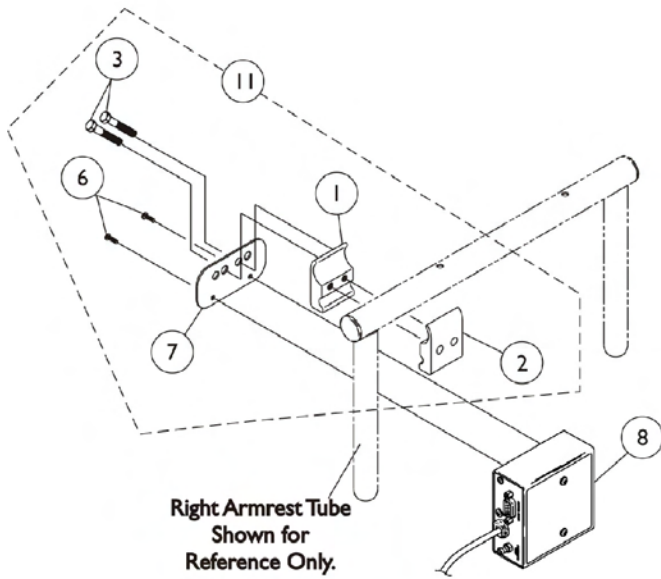
Item Number	Note	Part Number	Description	Quantity Per	
				Package	Assembly
1	D	1105707	Controller, MKIV Quad Pulse	1	1
1	C,D,E	1110861-NLA	Controller with Instructions, MKIV GB (TrueTrack) Non-Heavy Duty	1	1
1	C,F	1109540	Controller with Instructions, MKIV GB (TrueTrack) Non-Heavy Duty	1	1
	G,O	1159217	Package, Thumbscrews (1-1/2" Long)	10	1
1	B,D,H	1095269	Controller, MKIV RII Retro	1	1
2		1070407-NLA	Controller, Shroud Cover with Fastener Strips	1	1
3		1079246	Fastener, Loop Adhesive Back (1" W x 3" L)	1	1
4		1104258	Screw, Hex Head Cap w/ Patch (5/16-18 x 1")	1	2
5		1070387	Bracket, Controller Mounting, Black	1	2
6		1070504	Fastener, Hook with Adhesive Back (1" x 1")	1	1
7		1104259	Screw, Phillips Pan Head w/ Patch (#10-32 x 1/2")	1	2
8		1104260	Wire, Grounding Jumper Strap E.S.D.	1	3
9		1027263	Washer, Lock Tooth (3/16 x 3/8 x 1/32")	1	1
10		1079245	Clamp, Cable	1	2
11		1028755	Screw, Phillips Pan Head (#10-32 x 5/8")	1	2
12	I	1079244	Hardware, Controller Bracket Mounting (GB)	1	2
13		1104257	Screw, Hex Head (5/16-18 x 1-1/4")	1	1
14		1109091	Programmer, Remote	1	2
15		1020818	Switch, Red Flex Ribbon (Tape) Reset	1	1
15	N	1123276	Kit, Switch, Black Egg Reset, with Hook/Loop Adhesive Back Fastener & Attaching Screws (EGSBLK)	1	1
16	A	1091121	Cable, Motor Extension 8" (GB)	1	1
17		1159217	Package, Thumbscrews (1-1/2" Long)	10	1
	G,J	1105910	ESD Ground Strap Kit (GB)	1	2
	G	1105911	Instruction Sheet, ESD Kit (GB)	1	1
	E,G	1118363	Instruction Sheet, Replacing and Calibrating MKIV (GB) Controller	1	1
	F,G	1043576	Manual, Service MKIV Electronics	1	1
	G	1065145-NLA	Decal, Virtual Service	1	1
	G	1064404-NLA	Virtual Service Modem Kit	1	1
	G	1091631-NLA	Virtual Service Software Kit	1	1
	G	1046117-NLA	Printer and Interface	1	1
	G,L	1091980-NLA	Disk, 3.5 H.D. Floppy with V.S. Software	1	1
	G,K,L	1095204	Cable, Virtual Service Charger/Modem	1	1
	G,L	1091637-NLA	Adaptor, Null Modem	1	1
	G,L	1091636-NLA	Service Manual - V.S. Software Kit	1	1
	G,M	1026572-NLA	Paper, Printer	1	1
	G,M	1027280-NLA	Harness, Printer Wiring	1	1

MKIV Controller, Programmer and Hardware

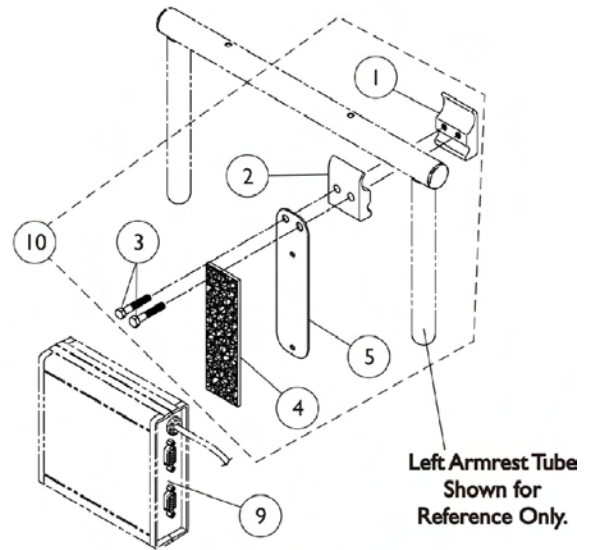
NOTE: Gearless/ Brushless motors were made available on-chair as an option for Storm Arrow and Ranger X 4/1/99. On 7/1/99 Gearless/ Brushless motors became standard for Storm Arrow only.

- NOTE:
- A - Extension cable to be used for the purpose of testing chairs only.
 - B - RII retro controller after 4/30/00 and RII joystick #1092610 are direct replacements for joystick/controller #1080723.
 - C - Controller without instructions before 4/1/02 is #1079890 and after 3/31/02 is #1109528 as noted on the controller decal.
 - D - It is recommended that item 13 be ordered when a new MKIV quad pulse or RII controller is needed and an E.S.D. strap kit for the (G/B) controller. Hardware changed 4/12/01.
 - E - Before 4/1/02. No Longer Available. Use part number 1109540 as a replacement.
 - F - After 3/31/02.
 - G - Not Shown.
 - H - Used on torque.
 - I - Includes items 4-11.
 - J - Includes items 4, 7, 8, and 9 along with instruction sheet.
 - K - May be ordered as an individual part or is included in the "Virtual Service Modem Kit."
 - L - May be ordered as an individual part or is included in the "Virtual Service Software Kit."
 - M - These items are included in the "Mark III Printer Option."
 - N - Not Shown. After 5/23/04 the Egg Reset Switch became available as a service part and can be used as a direct replacement for the tape reset switch part # 1020818.
 - O - Thumbscrews are used on the GB Controller motor cable connectors to secure the connection to the motor.

MKIV Sip-n-Puff/Digital Interface and COM12 and COM34



SNPM4 ON CHAIR
1038635 OFF CHAIR

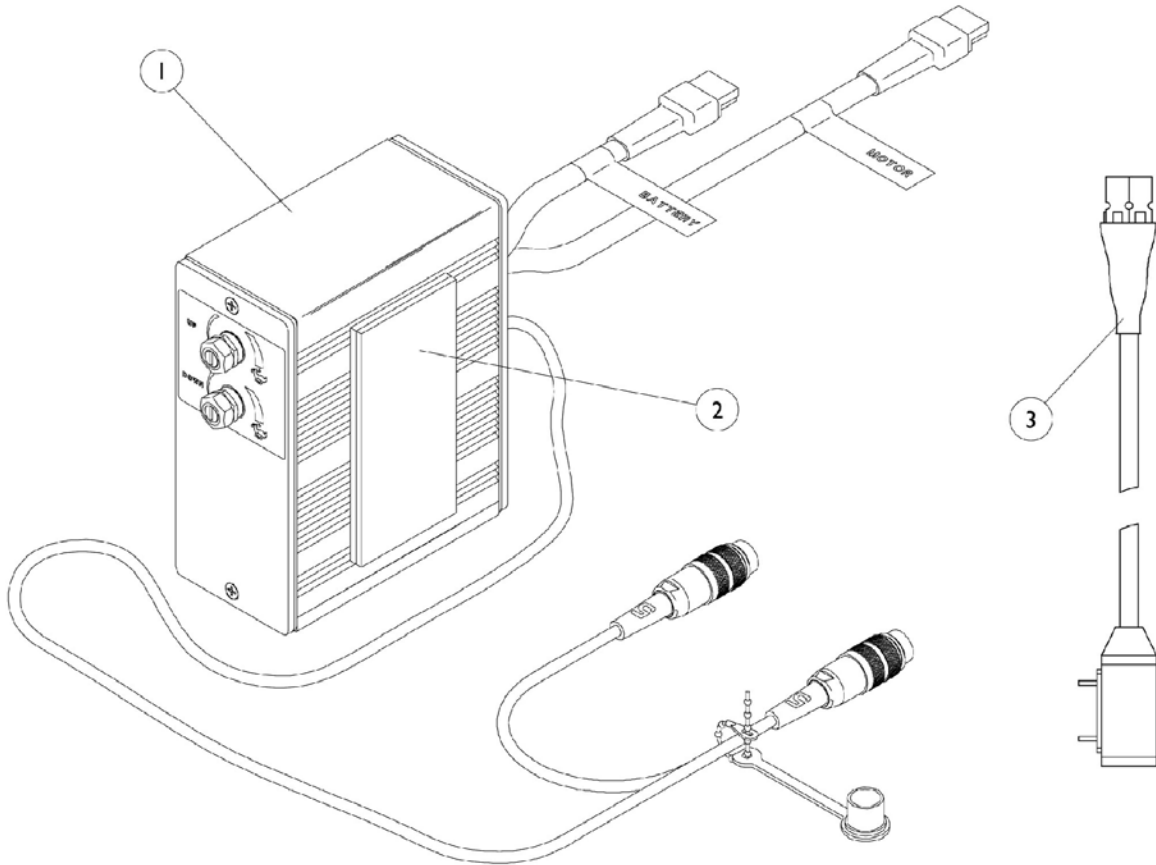


COM12 And COM34 ON CHAIR
1038639 And 1086241 OFF CHAIR

MKIV Sip-n-Puff/Digital Interface and COM12 and COM34

Item Number	Note	Part Number	Description	Quantity Per	
				Package	Assembly
8		1038635	Sip-N-Puff with Digital Interface	1	1
9		1038639	Communication Module, COM12/AUX12	1	1
9		1086241	Communication Module, COM34/AUX34	1	1
10	A	1049592	Kit, COM12/AUX12 and COM34/AUX34 Mounting Hardware	1	1
1			Half Clamp, Threaded Holes	1	1
2			Half Clamp, Non-Threaded Holes	1	1
3			Screw, Hex Head (1/4-20 x 1-1/8")	1	2
4			Fastener, Dual Lock Hook and Loop Adhesive (2" W x 12" L)	1	1
5			Mounting Plate, COM12/AUX12 and COM34/AUX34	1	1
11	B,C	1049593	Kit, SNP/DI, MK5 SAC, 4WSB, S4WSB, GTAM, AUX12M6, AUX34M6 Mtg. Hdw.	1	1
1			Half Clamp, Threaded Holes	1	1
2			Half Clamp, Non-Threaded Holes	1	1
3			Screw, Hex Head (1/4-20 x 1-1/8")	1	2
6			Screw, Phillips Pan Head (#4-40 x 3/8")	1	2
7			Plate, Mounting	1	1
<p>NOTE: A - Mounting hardware includes items 1-5. Item 4 that is packaged with the kit will only be a 4" long "loop" fastener. Hook and Loop Fastener replaced the screws shown when the holes were removed from the communication module 7/1/97</p> <p>B - Includes items 1-3 and 6-7</p> <p>C - As of 5/22/07 the Mounting Plate holes and the orientation of the Hardware was revised to attach the electronics closer to the chair. The Mounting Hardware Kit is backward compatible.</p>					

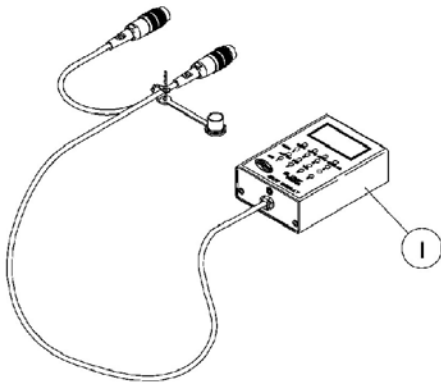
MKIV Recliner Control and Recliner Cable



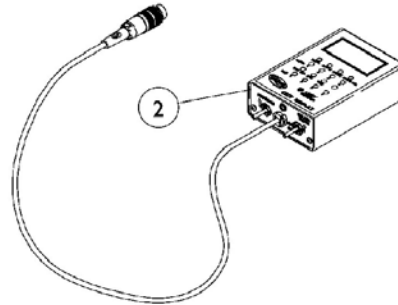
Item Number	Note	Part Number	Description	Quantity Per	
				Package	Assembly
1		1054376	Control, Recliner	1	1
2		1095501	Fastener, Dual Lock Hook and Loop Adhesive (2" W x 12" L)	1	1
3	A	1098905	Cable Assembly, 24 Volt, Anderson/P.T.O.	1	1
		1005151	Cable, Recliner	1	1

NOTE: A - Not Shown

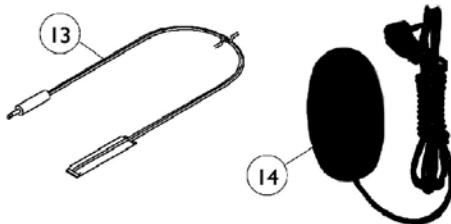
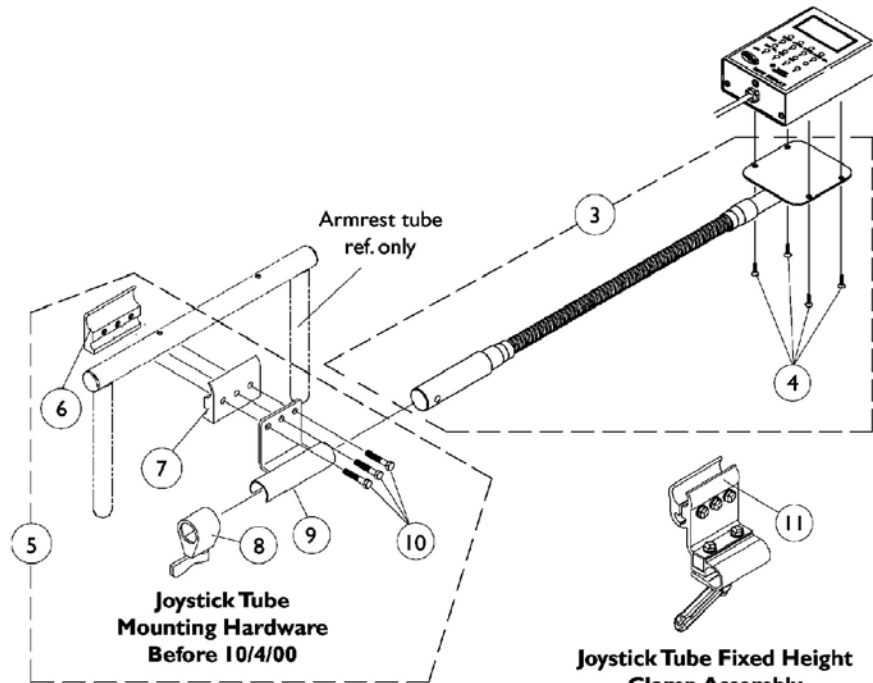
MKIV Displays



1108490
Display without
switches



1108489
Display with switches



**Joystick Tube Fixed Height
Clamp Assembly
After 10/3/00**

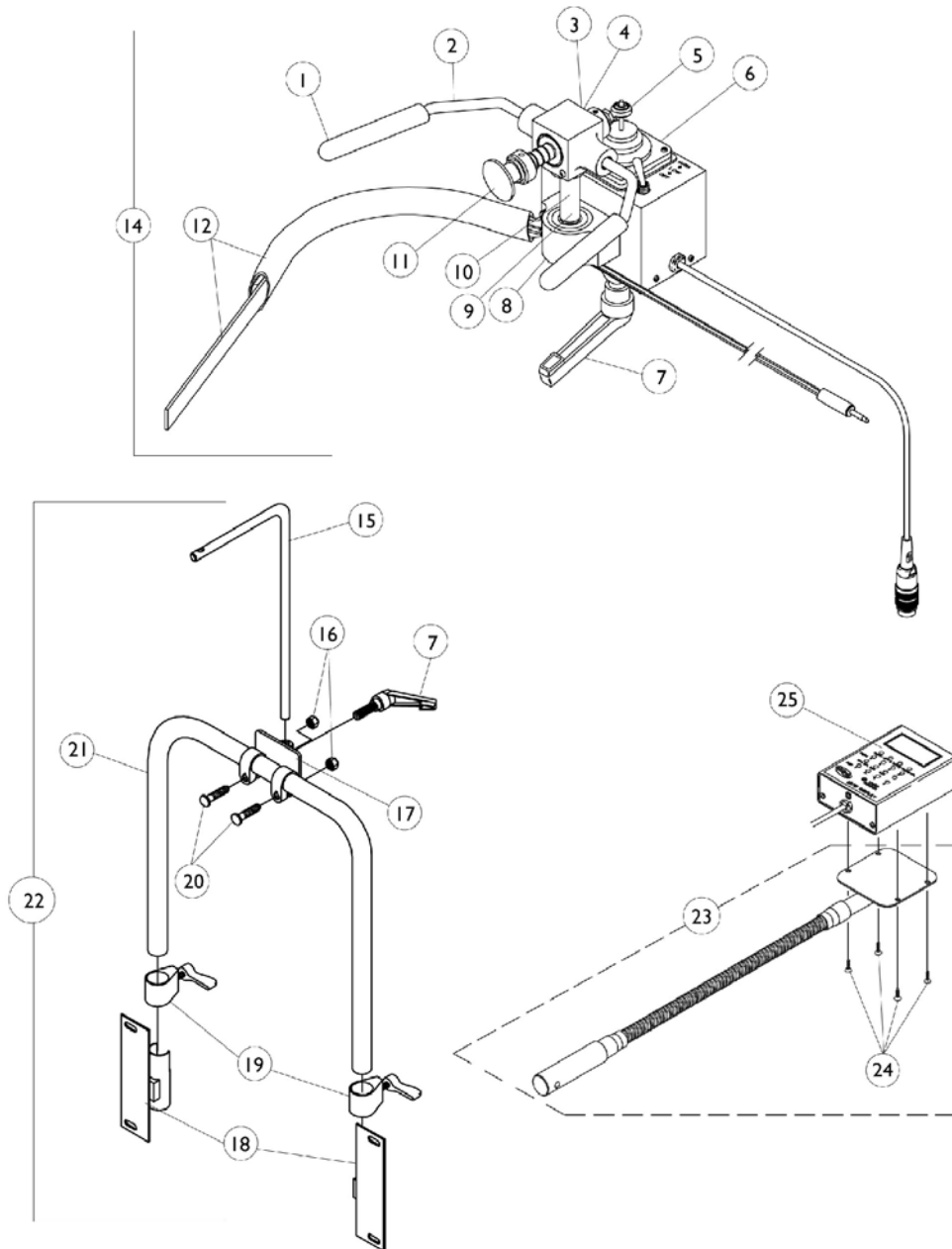
**Joystick Tube Height Adjustable
Clamp Assembly (ARM250)**

MKIV Displays

Item Number	Note	Part Number	Description	Quantity Per	
				Package	Assembly
1		1108490	Display without Switches	1	1
2		1108489	Display with Switches	1	1
3	A	1049594	Flex Tube with Screws	1	1
4		1052041	Screw, Phillips Pan Head (#4-40 x 3/8")	1	4
5	B	1049591	Hardware, Joystick Tube Mounting	1	1
6		1027267	Half Clamp, Threaded Holes	1	1
7		1027266	Half Clamp, Non-Threaded Holes	1	1
8		1027274	Lock, Adjustment (Black)	1	1
9		1049582	Bracket, Joystick Mounting, Black	1	1
10		16690X004	Screw, Hex Head (1/4-20 x 1-1/8")	1	3
11	C	1093071	Clamp, Fixed Height Joystick Tube	1	1
12	F	1139422	Clamp, Height Adjustable Joystick Tube (ARM250)	1	1
13	D	1020818	Switch, Red Flex Ribbon (Tape) Reset	1	1
14	E	1123276	Kit, Switch, Black Egg Reset, with Hook/Loop Adhesive Back Fastener & Attaching Screws (EGSBLK)	1	1

NOTE: A - Includes the Flex Tube and item 4
 B - Before 10/4/00 and includes items 6-10
 C - After 10/3/00 and can be used as a direct replacement for the Joystick Tube Mounting Hardware part number 1049591 in the field
 D - Before 5/24/04
 E - After 5/23/04 the Egg Reset Switch replaced the Red Flex Ribbon (Tape) Reset Switch
 F - Can be used to replace a Fixed Height Joystick Tube Clamp in the field. Individual components are non-saleable

MKIV R.I.M. Head Control Assembly (1500) (Before 8/16/95)



MKIV R.I.M. Head Control Assembly (1500) (Before 8/16/95)

Item Number	Note	Part Number	Description	Quantity Per	
				Package	Assembly
1		1025258	Rod, Cushion	1	1
2		1025263-NLA	Bar, Control	1	1
3		1025241-NLA	Block, Bearing	1	1
4	F	1010042	Switch, Toggle SPDT	1	1
5		1001625	Tie Rod End	1	1
6		1028914	Switch, Hi / Lo / Off (Black)	1	1
7		1022420-NLA	Handle, Rim Control	1	1
8		40314X003	Spring Clip, Rotor	1	1
9		1025269-NLA	Bearing, Pillow Block	1	1
10		1025238-NLA	Rod, Pivot	1	1
11	A	1025270-NLA	Push Rod Assembly	1	1
11		1016428	Guard, Axle	1	1
12		1025271	Ribbon Reset Switch and Bracket	1	1
13		1018113	Linear Bearing	1	1
14		1038633	Remote Joystick	1	1
15		1025248-NLA	Rod, Joystick Mounting	1	1
16		7930363	Package, Locknut (5/16"-24)	25	4
17		1025250-NLA	Bracket, Rod Mounting	1	1
18		1025245	Bracket, Upright -Right	1	1
18		1025246	Upright Bracket - Left	1	1
19		1027274	Lock, Adjustment (Black)	1	2
20		1031026	Screw w/ Lug (5/16-24 x 1-3/8")	1	4
21	B	1025277-NLA	Tube, Support Upright	1	1
21	C	1025276	Tube, Support Upright	1	1
21	D	1025278	Tube, Support Upright	1	1
21	E	1025280	Tube, Support Upright	1	1
22	B	1025281-NLA	Hardware Assembly, Rim Control	1	1
22	C	1025265-NLA	Hardware Assembly, Rim Control	1	1
22	D	1025266-NLA	Hardware Assembly, Rim Control	1	1
22	E	1025267-NLA	Hardware Assembly, Rim Control	1	1
23		1049594	Flex Tube with Screws	1	1
24		7930339	Screw, Phillips Pan Head (#4-40 x 3/8")	25	4
25		1108490	Display without Switches	1	1

NOTE: A - Includes: push rod cap, collar with set screw, spring, push rod, nut and tie rod end.

B - 12" Wide.

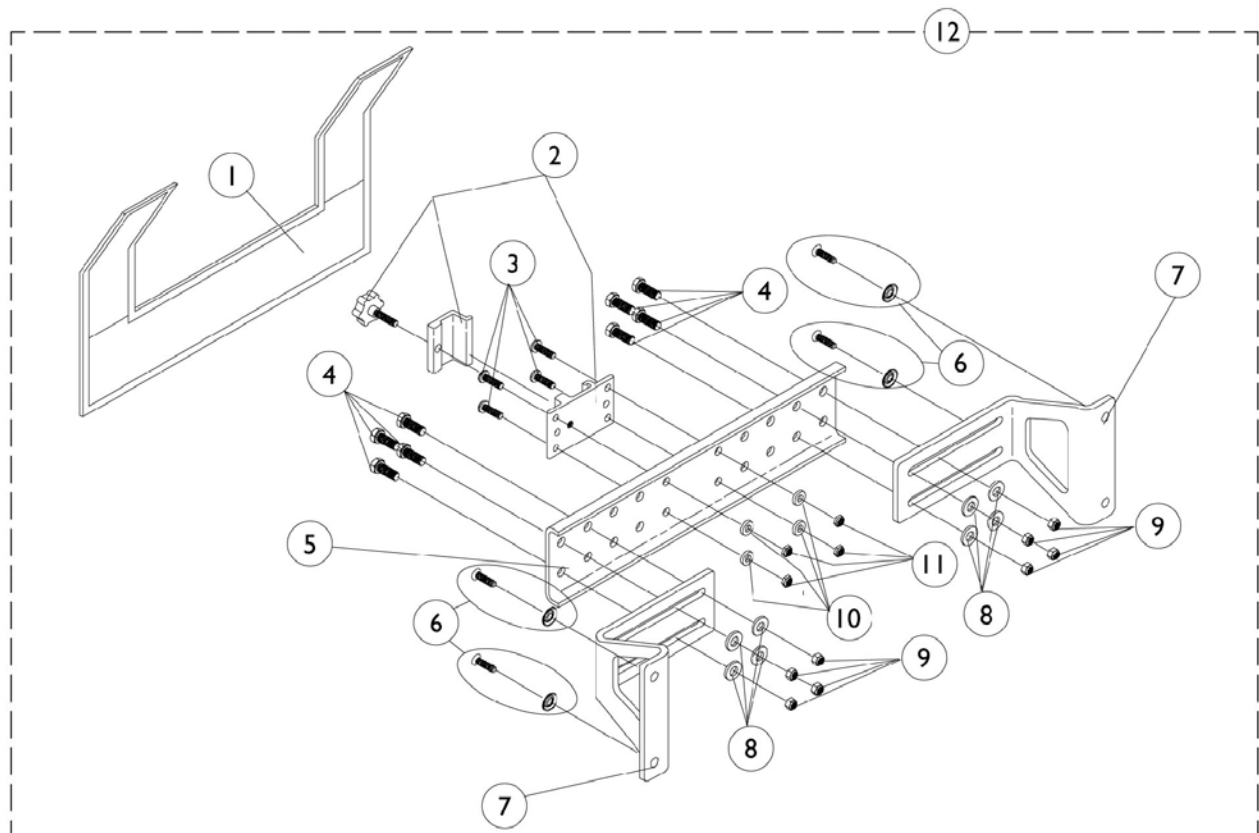
C - 14" Wide.

D - 16" Wide.

E - 18" Wide.

F - Black Switch is no longer available. The Chrome Switch part number 1010042 serves as a direct replacement

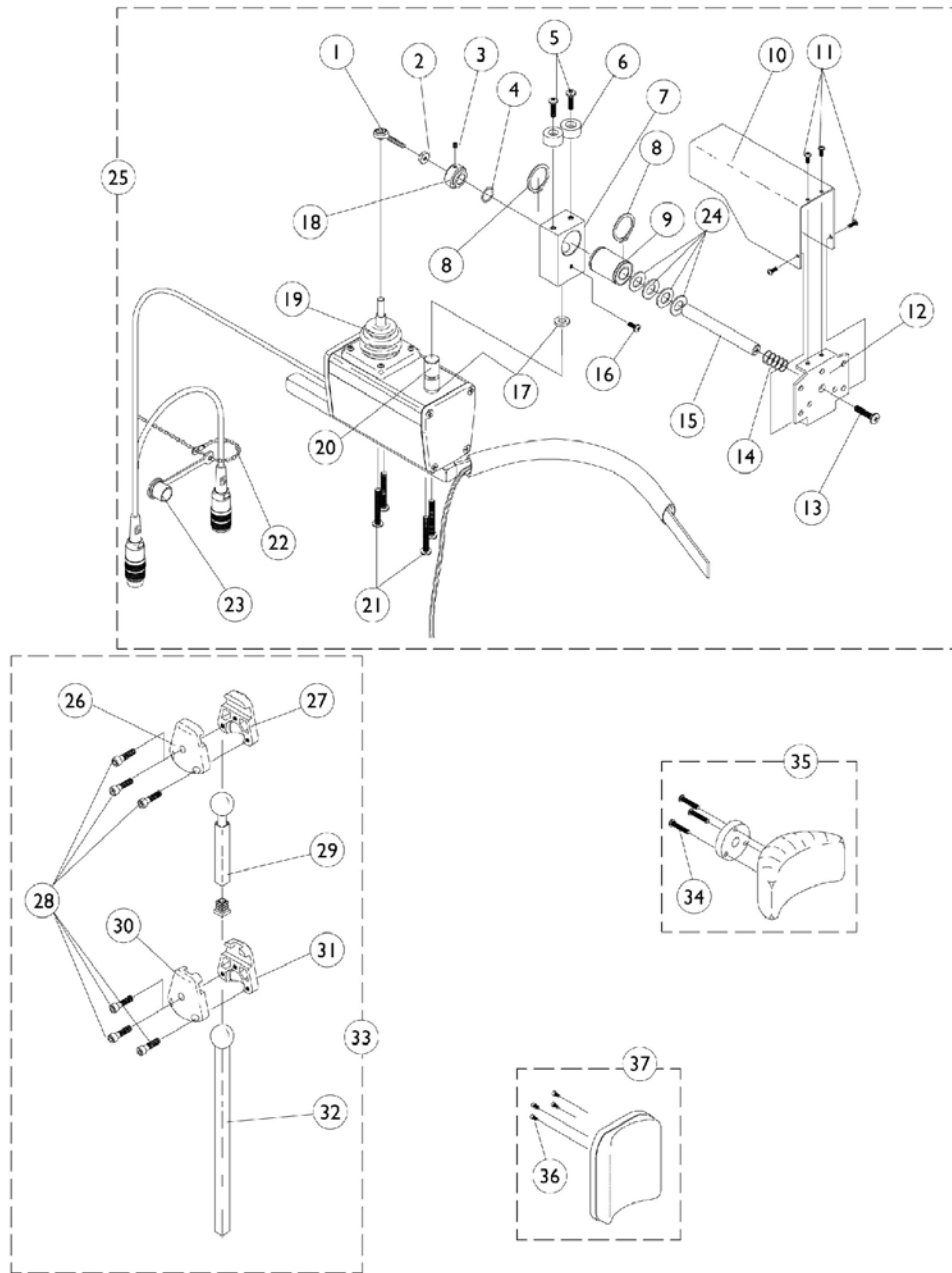
MKIV R.I.M. Head Control Mounting Hardware (1500M4) (After 8/15/95)



MKIV R.I.M. Head Control Mounting Hardware (1500M4) (After 8/15/95)

Item Number	Note	Part Number	Description	Quantity Per	
				Package	Assembly
1		1055149	Nylon Cover	1	1
1		1055151	Nylon Cover	1	1
2		1055148	Clamp with Knob, Two-Piece	1	1
3		1003645	Screw, Socket Button Head (#10-32 x 3/4")	1	4
4		7930326	Screw, Hex Head (1/4-20 x 3/4")	25	8
5		1054931	Bracket, Attaching, Black (12 - 18" W)	1	1
5		1054933	Bracket, Attaching, Black (19 - 24" W)	1	1
6		1031095	Screws with Washers (#10-16 x 7/8")	4	1
6		1076284	Screw w/ washer (#10 x 7/8")	1	4
7		1054929	Bracket, Wing	1	2
8		1026907	Washer (1/4 x 1/2 x 1/16")	1	8
9		7930333	Locknut (1/4-20)	25	8
10		1026034	Washer, Nylon (3/16 x 7/16 x 1/8")	1	4
11		7930332	Locknut, High Profile (#10-32)	25	4
12		1056347	Rim Control Mounting Hardware (RIMHW) - 12-18" Wide	1	1
12		1056348	Rim Control Mounting Hardware (RIMHW) - 19-24" Wide	1	1

MKIV R.I.M. Head Control Assembly (1500M4) (After 8/15/95)

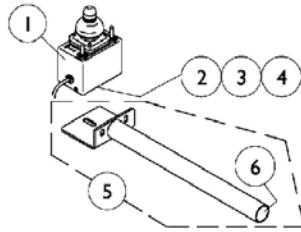


MKIV R.I.M. Head Control Assembly (1500M4) (After 8/15/95)

Item Number	Note	Part Number	Description	Quantity Per	
				Package	Assembly
1		1001625	Tie Rod End	1	1
2		48095X000	Locknut (#10-32)	1	1
3		1025275	Set Screw with Nylock (#8-32 x 1/4")	1	1
4		2001139	O-Ring (1/2" I.D.)	1	1
5		1028529	Screw, Phillips Pan Head (#8-32 x 3/8")	1	2
6		1055002	Washer, Nylon	1	2
7		1056206	Block, Pivot	1	1
8		1054939	Snap Ring	1	2
9		1018113	Linear Bearing	1	1
10		1055014	Shield, Push Rod	1	1
11		7930318	Screw, Phillips Pan Head (#4-40 x 1/2")	25	4
12		1055031	Bracket, Headrest Mounting, Black	1	1
13		40127X002	Screw, Phillips Oval Head (#10-32 x 3/4")	1	1
14		1055145	Spring, Compression	1	1
15		1055016	Push Rod	1	1
16		1026728	Screw, Phillips Pan Head (#6-32 x 1/4")	1	1
17		1010398	Washer, Nylon (1/4 x 1/2 x 1/16")	1	2
18		1025236	Collar, Shoulder	1	1
19		50000X364	Joystick, Boot	1	1
20		1055017	Rod Pivot	1	1
21		11008X014	Screw, Phillips Round Head (#10-32 x 1")	1	1
22		1038256	Wire Tie	1	1
23		1037373	Cover, Splash	1	1
24		1003766	Washer, Plain (1/2 x 1 x 1/8")	1	4
25		1056210	Joystick, Remote Head	1	1
26		1055023	Clamp, Horizontal Pivot	1	1
27		1055024	Clamp, Threaded, Horizontal Pivot	1	1
28		1055144	Screw, Socket Head (M6 x 25)	1	6
29		1055028	Slide Tube, Square, -Short	1	1
30		1055025	Clamp, Vertical Pivot	1	1
31		1055026	Clamp, Threaded, Vertical Pivot	1	1
32		1055027	Slide Tube, Square, -Long	1	1
33		1056213	Hardware, Adjustment	1	1
34		1005383	Screw, Socket Button Head (#10-32 x 1")	1	3
35		1056211	Headrest with Hardware, -Small (Otto Bock)	1	1
36		1005310	Screw, Socket Head (#10-32 x 3/8")	1	4
37		1056212	Headrest with Hardware, - Large (La Bac)	1	1

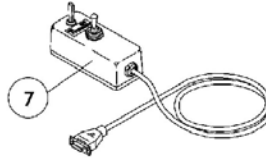
MKIV Joystick Options

REMOTE JOYSTICK



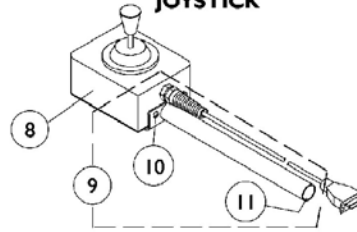
ON CHAIR: 1555M4
 OFF CHAIR: 1038634
 Used with display w/o switches
 1108490

ATTENDANT CONTROL JOYSTICK



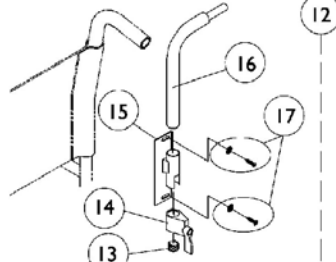
ON CHAIR: 1552M4
 OFF CHAIR: 1025590

HEAVY DUTY JOYSTICK



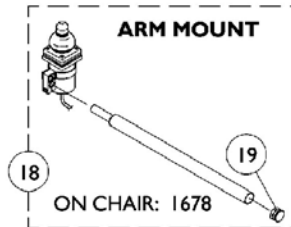
ON CHAIR: 1556M4
 OFF CHAIR: 1041544
 Used with display w/ switches
 1108489

REAR CANE MOUNT



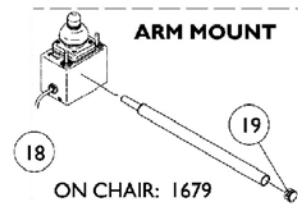
ON CHAIR: 1673

ARM MOUNT



ON CHAIR: 1678

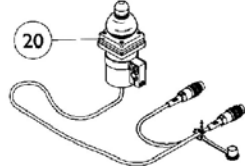
ARM MOUNT



ON CHAIR: 1679

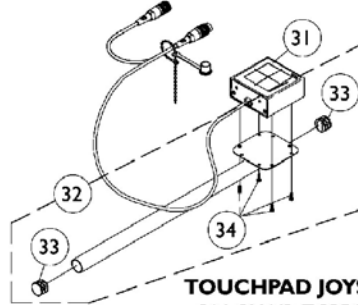
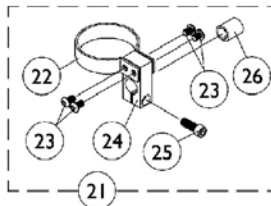
NOTE: Arm mounting tube shown above and additional arm mounting hardware are shipped when the On-Chair model number 1678 or 1679 is ordered.

DUAL/COMPACT JOYSTICK W/ MTG. HARDWARE



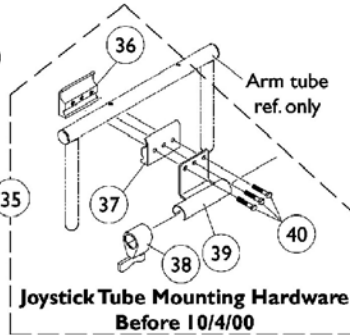
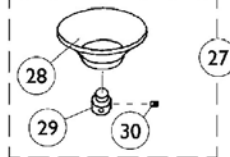
ON CHAIR: 1812M4/1558M4
 OFF CHAIR: 1038638

DUAL/COMPACT JOYSTICK MOUNTING HARDWARE



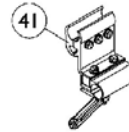
TOUCHPAD JOYSTICK

ON CHAIR: TCPDM4
 OFF CHAIR: 1091353
 Used with display w/ switches
 1108489

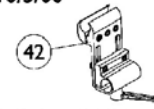


Joystick Tube Mounting Hardware
 Before 10/4/00

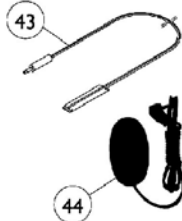
Reset Switch may be required.



Joystick Tube Fixed Height
 Clamp Assembly
 After 10/3/00



Joystick Tube Height Adjustable
 Clamp Assembly (ARM250)



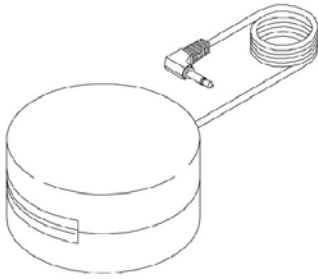
MKIV Joystick Options

Item Number	Note	Part Number	Description	Quantity Per	
				Package	Assembly
1		1038634	Joystick, Remote	1	1
2		1010848	Clamp, Universal Swivel	1	1
3		12595X000	Lock Handle	1	1
4		40204X000	Nut, Hex (1/4-20)	1	1
5		1044928	Joystick Tube with Plug Button	1	1
6		1027095	Plug Button, Black (7/8")	1	1
7		1025590	Joystick, Attendant Control (1552M)	1	1
8		1041544-NLA	Joystick, Heavy Duty	1	1
9	A	1052719	Kit, Straight Joystick Tube with Hardware	1	1
10		1016401	Screw, Phillips Round Head (#10-32 x 3/8")	1	3
11		1027095	Plug Button, Black (7/8")	1	1
12	B	1044917	Hardware, Rear Cane Mount (1673/RCM)	1	1
13		1027095	Plug Button, Black (7/8")	1	1
14		1027274	Lock, Adjustment (Black)	1	1
15		1025245	Bracket, Upright -Right	1	1
16		1044918	Joystick Tube	1	1
17		1076284	Screw w/ washer (#10 x 7/8")	2	1
18	C	1052309	Arm Mount Tube with Plug Button	1	1
19		1027095	Plug Button, Black (7/8")	1	1
20		1038638	Joystick, MKIV Dual/Compact	1	1
21	D	1108012	Hardware, Dual/Compact Joystick Clamp Mounting	1	1
22		1025048	Clamp	1	1
23		1021460	Screw, Socket Button Head (#10-32 x 5/16")	1	4
24		1025045	Clamp, Mounting	1	1
25		1027089	Screw, Socket Head Cap (#10-24 x 1/2")	1	1
26		1026273	Spacer, Split (3/8" I.D.)	1	1
27	E	1020392	Chin Cup Assembly (1826)	1	1
28		1017545	Chin Cup	1	1
29		1017612	Screw, Adaptor	1	1
30		90032X000	Screw, Socket Set (#8-32 x 1/4")	1	2
31		1091353	Touchpad, Joystick Assembly	1	1
32	F	1092604	Kit, Straight Joystick Tube with Hardware	1	1
33		1027095	Plug Button, Black (7/8")	1	2
34		1052041	Screw, Phillips Pan Head (#4-40 x 3/8")	1	4
35	G	1049591	Hardware, Joystick Tube Mounting	1	1
36		1027267	Half Clamp, Threaded Holes	1	1
37		1027266	Half Clamp, Non-Threaded Holes	1	1
38		1027274	Lock, Adjustment (Black)	1	1
39		1049582	Bracket, Joystick Mounting, Black	1	1
40		16690X004	Screw, Hex Head (1/4-20 x 1-1/8")	1	3
41	H	1093071	Clamp, Fixed Height Joystick Tube	1	1
42	I	1139422	Clamp, Height Adjustable Joystick Tube (ARM250)	1	1
43	J	1020818	Switch, Red Flex Ribbon (Tape) Reset	1	1

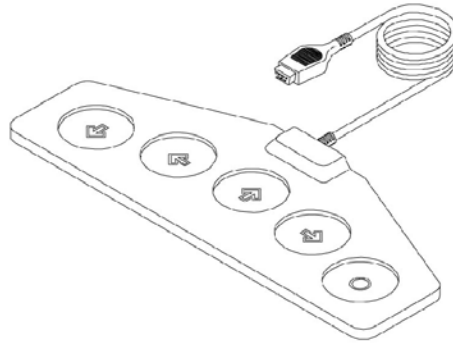
MKIV Joystick Options

Item Number	Note	Part Number	Description	Quantity Per	
				Package	Assembly
44	K	1123276	Kit, Switch, Black Egg Reset, with Hook/Loop Adhesive Back Fastener & Attaching Screws (EGSBLK)	1	1
	L	1108489	Display with Switches	1	1
	M	1108490	Display without Switches	1	1
<p>NOTE: A - Includes the joystick tube and items 10 and 11 B - Includes items 13-17 C - For On-Chair model numbers 1678 and 1679. Includes the joystick tube and item 19 D - Includes items 22-26 E - Includes items 28-30 F - Includes the joystick tube, items 33 and 34 G - Before 10/4/00 and includes items 36-40 H - After 10/3/00. Individual components are non-saleable. Can be used as a direct replacement in the field for the Joystick Tube Mounting Hardware part number 1049591. I - Can be used to replace a Fixed Height Joystick Tube Clamp in the field. Individual components are non-saleable J - Before 5/24/04 K - After 5/23/04. The Egg Reset Switch replaced the Red Flex Ribbon (Tape) Reset Switch L - Not Shown and used with the Heavy Duty and Touch Pad Joystick M - Not Shown and used with the Remote Joystick</p>					

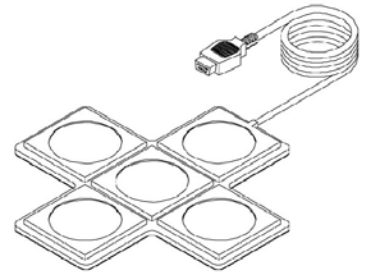
Tash and Therafin Accessories



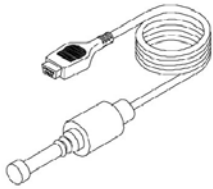
P5820 - Red Soft Switch
P5821 - Green Soft Switch



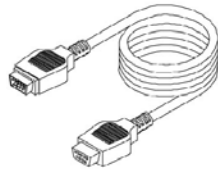
⊛ P5018 - Wafer Board



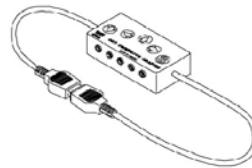
⊛ P5026 - Star Control



⊛ P5020
Mini Joystick with Push



P4337
Multi-Ability Cable



P4353
CA5 Multi-Connector Box



P5970
"U" Clamp

⊛ Must be used with display w/ switches (1108489)

Tash and Therafin Accessories

Item Number	Note	Part Number	Description	Quantity Per	
				Package	Assembly
	A	P5820	Switch, Red Soft	1	1
	A	P5821	Switch, Green Soft	1	1
	C,A	P5018	Wafer Board (5018)	1	1
	C,A	P5026	Star Control	1	1
	C,A	P5020	Mini Joystick with Push (5020)	1	1
	A	P4337	Multi-Ability Cable	1	1
	A	P4353	CA5 Multi-Connector Box	1	1
	A	P5970	"U" Clamp	1	1
	B	1142362	Bib Assembly (PKG32669)	1	1
	B	P21456	Adaptor Clamp - Tash	1	1
	B	P21457	Adaptor Clamp - Invacare	1	1
	B	P21460	Midline Swingway System	1	1
	B	1140824	Sip-N-Puff, 16" Fixed (PKG32666) Includes: 3 Air Tube Straws, 2 Saliva Traps, Tubing, Pivot Shaft/Flexible Metal Gooseneck Assembly, and Extruded Figure "8" Clamp to fit 7/8" Wheelchair Frame Tubing. Extruded Back Cane Adapter Clamp also included.	1	1
	B	1108489	Display with Switches	1	1
<p>NOTE: A - See pictorial for reference B - Not Shown C - Must be used with display w/ switches</p> <p>NOTE: For more information on Tash and Therafin products, please contact one of our Rehab Specialists.</p>					

Power Wheelchair Tool Kit

1



Multimeter with Leads



Grounding Wire



1" Test Leads



Protractor/Angle Locator



Invacare Pen Light



Invacare Tape Measure



Invacare Phillips/Flat Head Screwdriver



MKIV Programmer



Virtual Service Charger Cable

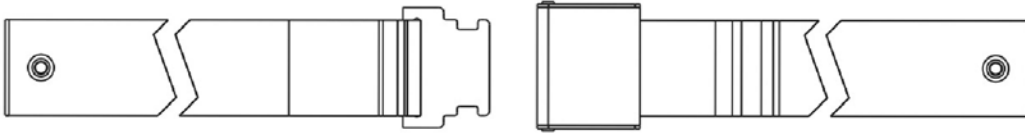
Power Wheelchair Tool Kit

Item Number	Note	Part Number	Description	Quantity Per	
				Package	Assembly
1		1125222	Kit, Power Wheelchair Tool Includes: 1 ea. Multimeter with Leads 1 ea. Locator, Protractor/Angle Magnetic Base 1 ea. Instructions, MKIV Programmer 1 ea. Wire, Grounding with Hand Strap and Clip 1 ea. Leads, 1" Test 1 ea. Light, Pen with Invacare Logo 1 ea. Tape Measure, Compact with Invacare Logo 1 ea. Screwdriver, Pen-Size Phillips/Flat Head 1 ea. Cable, Virtual Service Charger/Modem	1	1

Miscellaneous Accessories



Auto Style Push Button Buckle



Airline Style Buckle Positioning Strap



Hook and Loop Style Buckle Positioning Strap

Miscellaneous Accessories

Positioning Straps

Description	12"-15" Wide	16"-19" Wide	20"-22" Wide	23"-24" Wide
Auto Style Push Button	1036527 Positioning Strap, Seat/Chest w/ Auto Style Buckle (Eyelet to Eyelet Length 33") See Note(s) A	1004310 Positioning Strap, Seat/Chest w/ Auto Style Push Button Buckle (Eyelet to Eyelet Length 48")	1034625 Positioning Strap, Seat/Chest w/ Auto Style Push Button Buckle (Eyelet to Eyelet Length 61")	1034622 Positioning Strap, Seat/Chest w/ Auto Style Push Button Buckle (Eyelet to Eyelet Length 69")
Airline Style	N/A	1034625. 0	1034752 Positioning Strap, Seat/Chest w/ Airline Style Buckle (Eyelet to Eyelet Length 61")	1034753 Positioning Strap, Seat/Chest w/Airline Style Buckle (Eyelet to Eyelet Length 70")
Hook and Loop See Note(s) B	N/A	1034745 Positioning Strap, Seat/Chest w/ Hook and Loop Style Buckle (Eyelet to Eyelet Length 61")	1034745 Positioning Strap, Seat/Chest w/ Hook and Loop Style Buckle (Eyelet to Eyelet Length 61") See Note(s) B	1034745 Positioning Strap, Seat/Chest w/ Hook and Loop Style Buckle (Eyelet to Eyelet Length 61") See Note(s) B
NOTE: A - 12"-15" wide positioning straps come in rainbow color. B - Hook and Loop style positioning strap for power chairs is used for chest positioning only				

Item Number	Note	Part Number	Description	Quantity Per	
				Package	Assembly
	A	40176X010	Tire Pump	1	1
	A	See Chart	Miscellaneous Accessories	1	1
NOTE: A - Not Shown					

Invacare Corporation

www.invacare.com



Yes, you can.™

One Invacare Way
Elyria, Oh USA
44036-2125
800-333-6900

Technical Support
800-832-4707
Florida Technical Support
407-321-5630

Customer Service
800-333-6900

©2008 Invacare Corporation. Elyria, Ohio.
All rights reserved. Trademarks are identified by the symbols™ and®. All trademarks are owned by or licensed to Invacare Corporation unless otherwise noted. Otto Bock is a registered trademark of Otto Bock Orthopaedische Industrie GMBH & Co.. Tash is a registered trademark of Tash International Inc.. Therafin is a registered trademark of W/R/ Medical Electronics Co.. Bussman is a registered trademark of Cooper Industries. MIDI is a registered trademark of Littelfuse Inc.. Dynamic is a registered trademark of Dynamic Controls Limited. (Revised 6/27/08)

Form No. 94-113